

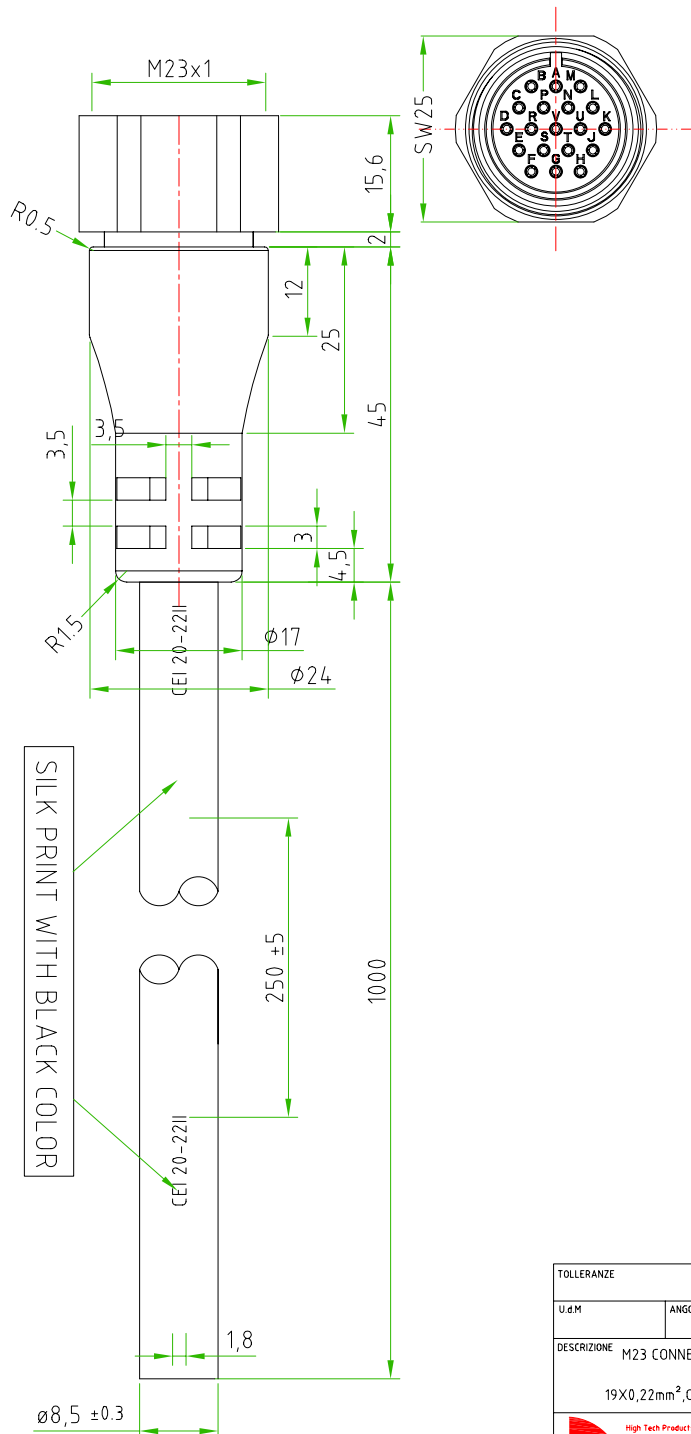
- RED/WHITE ——— C A
- ORANGE ——— C B
- ORANGE/BLACK ——— C C
- BROWN ——— C D
- BROWN/BLACK ——— C E
- YELLOW ——— C F
- YELLOW/BLACK ——— C G
- BLUE ——— C H
- BROWN/RED ——— C J
- YELLOW/RED ——— C K
- BLUE/RED ——— C L
- GREEN/RED ——— C M
- RED/BLACK ——— C N
- BLUE/BLACK ——— C P
- GREEN ——— C R
- GREEN/BLACK ——— C S
- WHITE ——— C T
- WHITE/BLACK ——— C U
- RED ——— C V

|                    |                               |                               |
|--------------------|-------------------------------|-------------------------------|
| CONNECTOR FEATURES | TYPE CONTACT                  | FEMALE 19POLES                |
|                    | CABLE LENGHT                  | 1000mm                        |
|                    | PROTECTION CLASS              | IP67                          |
|                    | STRIPPING                     | NO                            |
|                    | PEELING                       | NO                            |
|                    | NUMBER OF CONTACTS CONNECTED  | N°19                          |
| CABLE FEATURES     | H.T.P.CABLE CODE              | A                             |
|                    | NUMBER OF CONDUCTORS          | n°19                          |
|                    | CONDUCTOR SECTION             | 0.22mm <sup>2</sup>           |
|                    | CABLE MATERIAL                | PVC CEI2022IIFROR             |
|                    | COATING COLOUR                | ORANGE RAL2009 (PANTONE 152C) |
|                    | CONDUCTOR INSULATION MATERIAL | PVC                           |



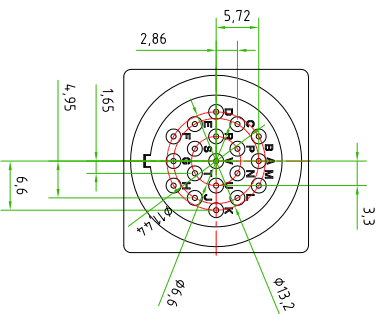
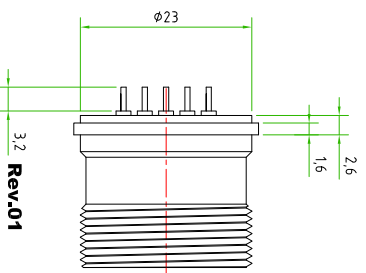
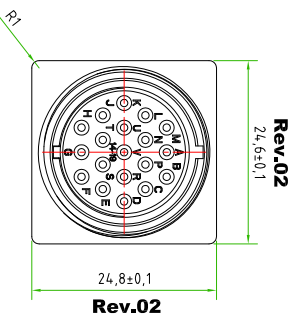
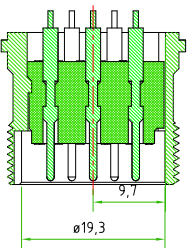
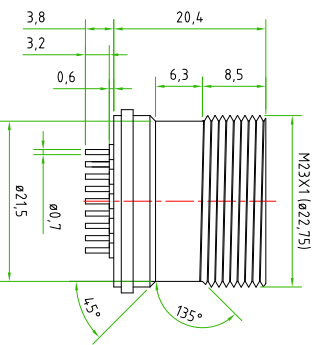
1- HEXAGONAL NUT SW26

2- THE DIAMETER OF THE CABLE MUST BE ø8.5m (tolerance ±0.30)



|  |        |                                |  |                  |              |                     |            |
|--|--------|--------------------------------|--|------------------|--------------|---------------------|------------|
| TOLLERANZE   |        | DISEGNATORE<br>LORENZO CIMMINO |  | DATA<br>14.04.11 | SCALA<br>1:1 |                     | DISEGNO N. |
| U.d.M.   | ANGOLO | CONTROLLATO                    |  |                  |              |                     |            |
| DESCRIZIONE<br>M23 CONNECTOR FEMALE 180°, 19POLES, WITH CABLE<br>PVC/PVC, CEI2022IIFROR,<br>19X0,22mm <sup>2</sup> , ORANGE RAL2009(PANTONE 152C), LENGHT 1m |        |                                |  |                  |              | TIPO<br>M23         | MATERIALE  |
|  |        |                                |  |                  |              | CODICE<br>23FD19A1Z |            |

| DATE       | REV. | DESCRIPTION  | NAME            |
|------------|------|--|-----------------|
| 18-02-2011 | 01   | INCREASED THE LENGTH OF THE PINS FROM 2.3mm TO 3.2mm | MARCO MAZZOLINI |
| 18-02-2011 | 02   | ADD THE FLANGE                                       | MARCO MAZZOLINI |



| CONNECTOR FEATURES           |                  |
|------------------------------|------------------|
| CONNECTOR TYPE               | M23 TO PANEL     |
| MOUNTING TYPE                | BACK             |
| CONTACT TYPE                 | MALE             |
| NUMBER OF CONTACTS CONNECTED | n°19             |
| HOUSING MATERIAL             | METAL (CuZn/Ni)  |
| CONTACT TYPE                 | SOLDERED FOR PCB |
| CONTACT LENGTH               | 3.8mm ±0.1       |

| TOLLERANZE                | DISIGNAZIONE  | DATA     | SCALA     | DESIGNO N. |
|---------------------------|---|----------|-----------|------------|
| UDM                       | LORENZO CHINNO<br>CONTROLLATO                                       | 10.11.10 | 1:1       |            |
| DESCRIZIONE               | M23 CONNECTOR MALE 180° ,19POLES,10 PANEL,<br>WITH CONTACTS FOR PCB |          | 190       | M23        |
| MATERIALE                 |   |          |           |            |
| HTP High Tech Products    |   |          | COMB      |            |
| H.T.P. HIGH TECH PRODUCTS |   |          | 23MS19000 |            |