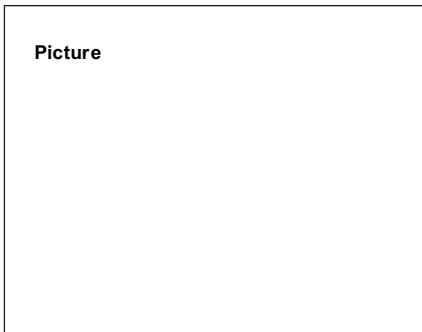


DC INDUCTIVE PROXIMITY SWITCH

Diameter
● Shielded ○ non-Shielded
Switching Distance, Sn: mm
Housing Material
● With LED ○ Without LED



Operating Voltage	10-30VDC
Ripple	<10%
No Load Current	<10mA
Max. Load Current	200mA
Leakage Current	<0.01mA
Voltage Drop	<1.5V
Switching Frequency	2KHZ
Response Time	0.1ms/0.1ms
Switching Hysteresis	<15%(Sr)
Repeat Accuracy	<1.0%(Sr)
Protection Category	IP67
Operating Temperature	-25°C - +70°C
Temperature Drift	<10%(Sr)
Short Circuit Protection	YES
Overload Trip Point	220mA
Material Active Face	POM

DC 3 wire 10-30V NPN N.O.	P1S1B550.8NOPA3	1
DC 3 wire 10-30V NPN N.C.	P1S1B550.8NCPA3	2
DC 3 wire 10-30V PNP N.O.	P1S1B550.8POPA3	3
DC 3 wire 10-30V PNP N.C.	P1S1B550.8PCPA3	4
DC 4 wire 10-30V Changeover PNP (N.O. & N.C.)		
DC 4 wire 10-30V Changeover NPN (N.O. & N.C.)		
DC 2 wire 10-60V N.O.*		
DC 2 wire 10-60V N.C.*		
DC 3 wire 10-55v NPN N.O.		
DC 3 wire 10-55v NPN N.C.		
DC 3 wire 10-55v PNP N.O.		
DC 3 wire 10-55v PNP N.C.		
DC 3 wire 5-36V NPN N.O.		
DC 3 wire 5-36V NPN N.C.		
DC 3 wire 5-36V PNP N.O.		
DC 3 wire 5-36V PNP N.C.		
DC 4 wire 5-36V Changeover PNP (N.O. & N.C.)		
DC 4 wire 5-36V Changeover NPN (N.O. & N.C.)		

Dimensions (unit: mm)

* : DC 2 wire 10-60V specifications see page 178. Other is same.

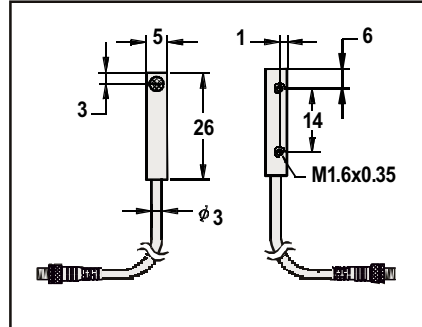
Cable 2M (PVC)	2.3φ 3x0.15
Weight	Approx.30 g

Q5x5x26
●
0.8 mm
Nickel plated brass
●



10-30VDC	<10%	<10mA	200mA	<0.01mA	<1.5V	2KHZ	0.1ms/0.1ms	<15%(Sr)	<1.0%(Sr)	IP67	-25°C - +70°C	<10%(Sr)	YES	220mA	POM
----------	------	-------	-------	---------	-------	------	-------------	----------	-----------	------	---------------	----------	-----	-------	-----

P1S1B550.8NOPA3	1
P1S1B550.8NCPA3	2
P1S1B550.8POPA3	3
P1S1B550.8PCPA3	4



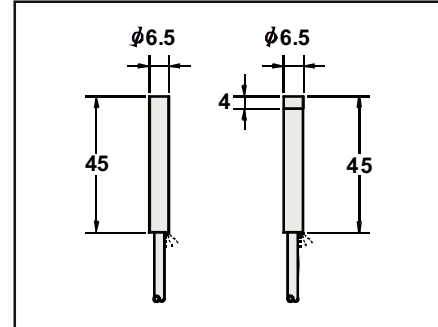
2.3φ 3x0.15
Approx.30 g

φ 6.5
● ○
1mm 2mm
stainless steel
●



10-30VDC / 5-36VDC / 10-55V / 10-60VDC	<10%	<10mA	200mA	<0.01mA	<1.5V	2KHZ	0.1ms/0.1ms	<15%(Sr)	<1.0%(Sr)	IP67	-25°C - +70°C	<10%(Sr)	YES	220mA	POM
--	------	-------	-------	---------	-------	------	-------------	----------	-----------	------	---------------	----------	-----	-------	-----

P1D1S6.501NO3A2	1	P1D2S6.502NO3A2
P1D1S6.501NC3A2	2	P1D2S6.502NC3A2
P1D1S6.501PO3A2	3	P1D2S6.502PO3A2
P1D1S6.501PC3A2	4	P1D2S6.502PC3A2
P1D1S6.501PS4A2	5	P1D2S6.502PS4A2
P1D1S6.501NS4A2	6	P1D2S6.502NS4A2
P4D1S6.501CO2A2	7	P4D2S6.502CO2A2
P4D1S6.501CC2A2	8	P4D2S6.502CC2A2
P3D1S6.501NO3A2	1	P3D2S6.502NO3A2
P3D1S6.501NC3A2	2	P3D2S6.502NC3A2
P3D1S6.501PO3A2	3	P3D2S6.502PO3A2
P3D1S6.501PC3A2	4	P3D2S6.502PC3A2
P2D1S6.501NO3A2	1	P2D2S6.502NO3A2
P2D1S6.501NC3A2	2	P2D2S6.502NC3A2
P2D1S6.501PO3A2	3	P2D2S6.502PO3A2
P2D1S6.501PC3A2	4	P2D2S6.502PC3A2
P2D1S6.501PS4A2	6	P2D2S6.502PS4A2
P2D1S6.501NS4A2	5	P2D2S6.502NS4A2



3φ 3x0.15 or 3φ 4x0.15
Approx.36 g

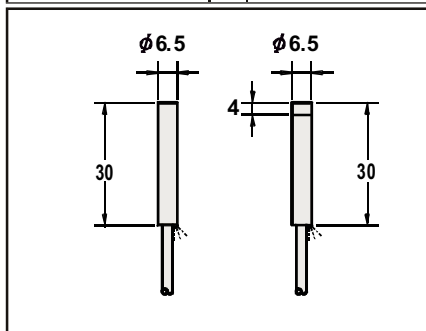
DC INDUCTIVE PROXIMITY SWITCH

Ø6.5	
● 1mm	○ 2mm
stainless steel	
●	



10-30VDC / 5-36VDC	
<10%	
<10mA	
200mA	
<0.01mA	
<1.5V	
2KHZ	
0.1ms/0.1ms	
<15%(Sr)	
<1.0%(Sr)	
IP67	
-25°C - +70°C	
<10%(Sr)	
YES	
220mA	
POM	

P1D1S6.501NO3S2	1	P1D2S6.502NO3S2
P1D1S6.501NC3S2	2	P1D2S6.502NC3S2
P1D1S6.501PO3S2	3	P1D2S6.502PO3S2
P1D1S6.501PC3S2	4	P1D2S6.502PC3S2
P2D1S6.501NO3S2	1	P2D2S6.502NO3S2
P2D1S6.501NC3S2	2	P2D2S6.502NC3S2
P2D1S6.501PO3S2	3	P2D2S6.502PO3S2
P2D1S6.501PC3S2	4	P2D2S6.502PC3S2



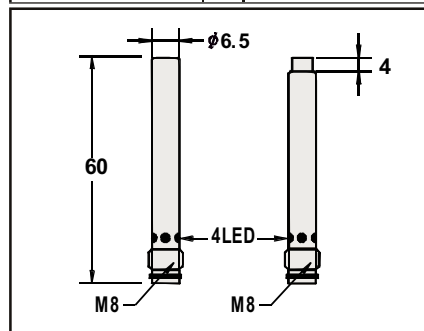
3 φ3x0.15
Approx.40 g

Ø 6.5	
● 1mm	○ 2mm
stainless steel	
●	



10-30VDC / 5-36VDC / 10-55V / 10-60VDC	
<10%	
<10mA	
200mA	
<0.01mA	
<1.5V	
2KHZ	
0.1ms/0.1ms	
<15%(Sr)	
<1.0%(Sr)	
IP67	
-25°C - +70°C	
<10%(Sr)	
YES	
220mA	
POM	

P1D1S6.501NOPA3	1	P1D2S6.502NOPA3
P1D1S6.501NCPA3	2	P1D2S6.502NCPA3
P1D1S6.501POPA3	3	P1D2S6.502POPA3
P1D1S6.501PCPA3	4	P1D2S6.502PCPA3
P1D1S6.501PSPA4	6	P1D2S6.502PSPA4
P1D1S6.501NSPA4	5	P1D2S6.502NSPA4
P4D1S6.501COPA3	7	P4D2S6.502COPA3
P4D1S6.501CCPA3	8	P4D2S6.502CCPA3
P3D1S6.501NOPA3	1	P3D2S6.502NOPA3
P3D1S6.501NCPA3	2	P3D2S6.502NCPA3
P3D1S6.501POPA3	3	P3D2S6.502POPA3
P3D1S6.501PCPA3	4	P3D2S6.502PCPA3
P2D1S6.501NOPA3	1	P2D2S6.502NOPA3
P2D1S6.501NCPA3	2	P2D2S6.502NCPA3
P2D1S6.501POPA3	3	P2D2S6.502POPA3
P2D1S6.501PCPA3	4	P2D2S6.502PCPA3
P2D1S6.501PSPA4	6	P2D2S6.502PSPA4
P2D1S6.501NSPA4	5	P2D2S6.502NSPA4



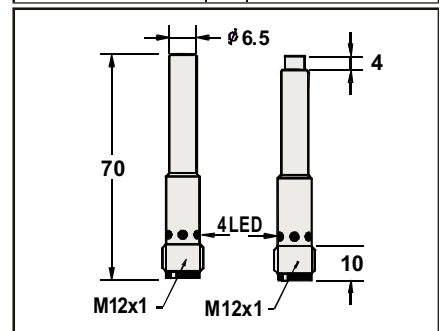
Approx.17 g Approx.16 g

Ø6.5	
● 1mm	○ 2mm
stainless steel	
●	



10-30VDC / 5-36VDC / 10-55V / 10-60VDC	
<10%	
<10mA	
200mA	
<0.01mA	
<1.5V	
2KHZ	
0.1ms/0.1ms	
<15%(Sr)	
<1.0%(Sr)	
IP67	
-25°C - +70°C	
<10%(Sr)	
YES	
220mA	
POM	

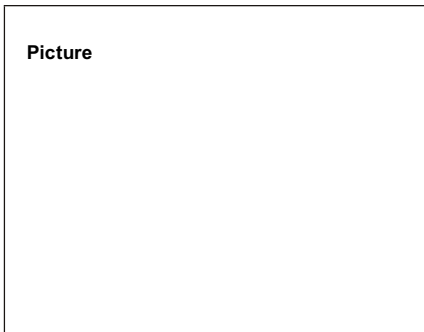
P1D1S6.501NOEA4	1	P1D2S6.502NOEA4
P1D1S6.501NCEA4	2	P1D2S6.502NCEA4
P1D1S6.501POEA4	3	P1D2S6.502POEA4
P1D1S6.501PCEA4	4	P1D2S6.502PCEA4
P1D1S6.501PSEA4	6	P1D2S6.502PSEA4
P1D1S6.501NSEA4	5	P1D2S6.502NSEA4
P4D1S6.501COEA4	7	P4D2S6.502COEA4
P4D1S6.501CCEA4	8	P4D2S6.502CCEA4
P3D1S6.501NOEA4	1	P3D2S6.502NOEA4
P3D1S6.501NCEA4	2	P3D2S6.502NCEA4
P3D1S6.501POEA4	3	P3D2S6.502POEA4
P3D1S6.501PCEA4	4	P3D2S6.502PCEA4
P2D1S6.501NOEA4	1	P2D2S6.502NOEA4
P2D1S6.501NCEA4	2	P2D2S6.502NCEA4
P2D1S6.501POEA4	3	P2D2S6.502POEA4
P2D1S6.501PCEA4	4	P2D2S6.502PCEA4
P2D1S6.501PSEA4	6	P2D2S6.502PSEA4
P2D1S6.501NSEA4	5	P2D2S6.502NSEA4



approx.25 g

DC INDUCTIVE PROXIMITY SWITCH

Diameter
● Shielded ○ non-Shielded
Switching Distance, Sn: mm
Housing Material
● With LED ○ Without LED



Operating Voltage
Ripple
No Load Current
Max. Load Current
Leakage Current
Voltage Drop
Switching Frequency
Response Time
Switching Hysteresis
Repeat Accuracy
Protection Category
Operating Temperature
Temperature Drift
Short Circuit Protection
Overload Trip Point
Material Active Face

DC 3 wire 10-30V NPN N.O.
DC 3 wire 10-30V NPN N.C.
DC 3 wire 10-30V PNP N.O.
DC 3 wire 10-30V PNP N.C.
DC 4 wire 10-30V Changeover PNP (N.O. & N.C.)
DC 4 wire 10-30V Changeover NPN (N.O. & N.C.)
DC 2 wire 10-60V N.O.
DC 2 wire 10-60V N.C.
DC 3 wire 10-55v NPN N.O.
DC 3 wire 10-55v NPN N.C.
DC 3 wire 10-55v PNP N.O.
DC 3 wire 10-55v PNP N.C.
DC 3 wire 5-36V NPN N.O.
DC 3 wire 5-36V NPN N.C.
DC 3 wire 5-36V PNP N.O.
DC 3 wire 5-36V PNP N.C.
DC 4 wire 5-36V Changeover PNP (N.O. & N.C.)
DC 4 wire 5-36V Changeover NPN (N.O. & N.C.)

Dimensions (unit: mm)

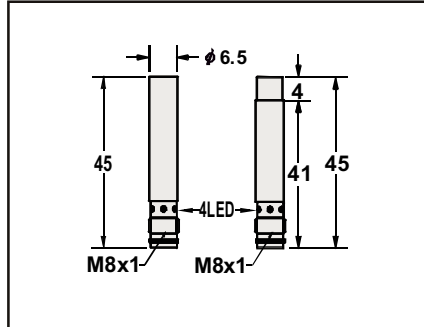
Cable 2M (PVC)
Weight

ϕ6.5	
●	○
1 mm	2 mm
stainless steel	
●	



10-30VDC / 5-36VDC
<10%
<10mA
200mA
<0.01mA
<1.5V
2KHZ
0.1ms/0.1ms
<15%(Sr)
<1.0%(Sr)
IP67
-25 °C - +70 °C
<10%(Sr)
YES
220mA
POM

P1D1S6.501NOPS3	1	P1D2S6.502NOPS3
P1D1S6.501NCPS3	2	P1D2S6.502NCPS3
P1D1S6.501POPS3	3	P1D2S6.502POPS3
P1D1S6.501PCPS3	4	P1D2S6.502PCPS3
P2D1S6.501NOPS3	1	P2D2S6.502NOPS3
P2D1S6.501NCPS3	2	P2D2S6.502NCPS3
P2D1S6.501POPS3	3	P2D2S6.502POPS3
P2D1S6.501PCPS3	4	P2D2S6.502PCPS3



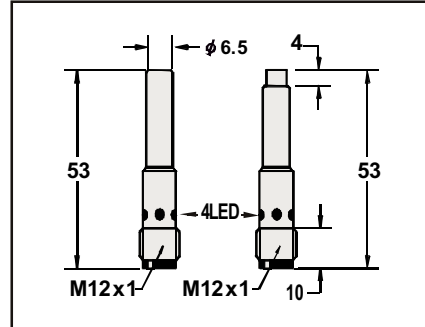
Approx.14g

ϕ 6.5	
●	○
1 mm	2 mm
stainless steel	
●	



10-30VDC / 5-36VDC
<10%
<10mA
200mA
<0.01mA
<1.5V
2KHZ
0.1ms/0.1ms
<15%(Sr)
<1.0%(Sr)
IP67
-25 °C - +70 °C
<10%(Sr)
YES
220mA
POM

P1D1S6.501NOES4	1	P1D2S6.502NOES4
P1D1S6.501NCES4	2	P1D2S6.502NCES4
P1D1S6.501POES4	3	P1D2S6.502POES4
P1D1S6.501PCES4	4	P1D2S6.502PCES4
P2D1S6.501NOES4	1	P2D2S6.502NOES4
P2D1S6.501NCES4	2	P2D2S6.502NCES4
P2D1S6.501POES4	3	P2D2S6.502POES4
P2D1S6.501PCES4	4	P2D2S6.502PCES4



Approx.20g

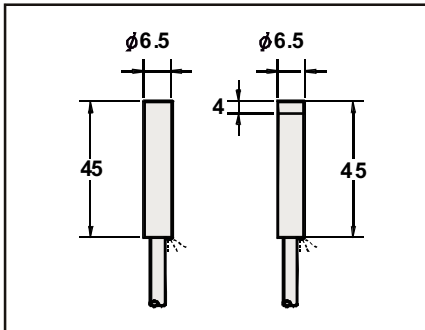
DC INDUCTIVE PROXIMITY SWITCH

$\phi 6.5$	
2mm	4mm
stainless steel or nickel plated brass	



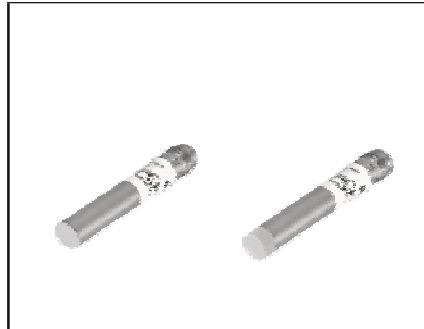
10-30VDC	
<10%	
<10mA	
200mA	
<0.01mA	
<1.5V	
2KHZ	1KHZ
0.1ms/0.1ms	0.2ms/0.2ms
<15% (Sr)	
<1.0% (Sr)	
IP67	
-25 °C - +70 °C	
<10% (Sr)	
YES	
220mA	
POM	

P1D1S6.502NO3A2	1	P1D2S6.504NO3A2
P1D1S6.502NC3A2	2	P1D2S6.504NC3A2
P1D1S6.502PO3A2	3	P1D2S6.504PO3A2
P1D1S6.502PC3A2	4	P1D2S6.504PC3A2



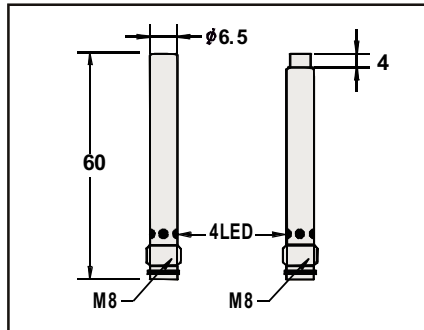
$3\phi 3 \times 0.15$
Approx. 36 g

$\phi 6.5$	
2mm	4mm
stainless steel or nickel plated brass	



10-30VDC	
<10%	
<10mA	
200mA	
<0.01mA	
<1.5V	
2KHZ	1KHZ
0.1ms/0.1ms	0.2ms/0.2ms
<15% (Sr)	
<1.0% (Sr)	
IP67	
-25 °C - +70 °C	
<10% (Sr)	
YES	
220mA	
POM	

P1D1S6.502NOA3	1	P1D2S6.504NOA3
P1D1S6.502NCPA3	2	P1D2S6.504NCPA3
P1D1S6.502POPA3	3	P1D2S6.504POPA3
P1D1S6.502PCPA3	4	P1D2S6.504PCPA3



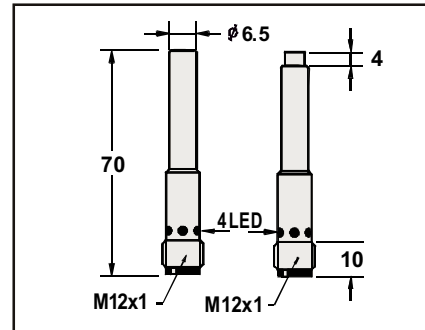
Approx. 17 g Approx. 16 g

$\phi 6.5$	
2mm	4mm
stainless steel or nickel plated brass	



10-30VDC	
<10%	
<10mA	
200mA	
<0.01mA	
<1.5V	
2KHZ	1KHZ
0.1ms/0.1ms	0.2ms/0.2ms
<15% (Sr)	
<1.0% (Sr)	
IP67	
-25 °C - +70 °C	
<10% (Sr)	
YES	
220mA	
POM	

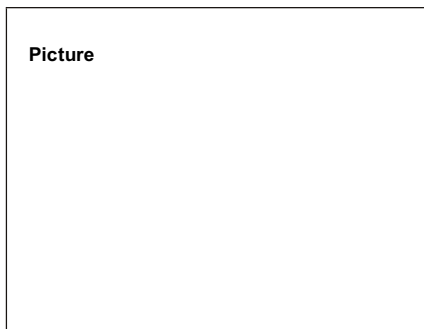
P1D1S6.502NOEA4	1	P1D2S6.504NOEA4
P1D1S6.502NCEA4	2	P1D2S6.504NCEA4
P1D1S6.502POEA4	3	P1D2S6.504POEA4
P1D1S6.502PCEA4	4	P1D2S6.504PCEA4



approx. 25 g

DC INDUCTIVE PROXIMITY SWITCH

Diameter
● Shielded ○ non-Shielded
Switching Distance, Sn: mm
Housing Material
● With LED ○ Without LED



Operating Voltage
Ripple
No Load Current
Max. Load Current
Leakage Current
Voltage Drop
Switching Frequency
Response Time
Switching Hysteresis
Repeat Accuracy
Protection Category
Operating Temperature
Temperature Drift
Short Circuit Protection
Overload Trip Point
Material Active Face

DC 3 wire 10-30V NPN N.O.
DC 3 wire 10-30V NPN N.C.
DC 3 wire 10-30V PNP N.O.
DC 3 wire 10-30V PNP N.C.
DC 4 wire 10-30V Changeover PNP (N.O. & N.C.)
DC 4 wire 10-30V Changeover NPN (N.O. & N.C.)
DC 2 wire 10-60V N.O. *
DC 2 wire 10-60V N.C. *
DC 3 wire 10-55v NPN N.O.
DC 3 wire 10-55v NPN N.C.
DC 3 wire 10-55v PNP N.O.
DC 3 wire 10-55v PNP N.C.
DC 3 wire 5-36V NPN N.O.
DC 3 wire 5-36V NPN N.C.
DC 3 wire 5-36V PNP N.O.
DC 3 wire 5-36V PNP N.C.
DC 4 wire 5-36V Changeover PNP (N.O. & N.C.)
DC 4 wire 5-36V Changeover NPN (N.O. & N.C.)

Dimensions (unit: mm)

* : DC 2 wire 10-60V specifications see page 178. Other is same.

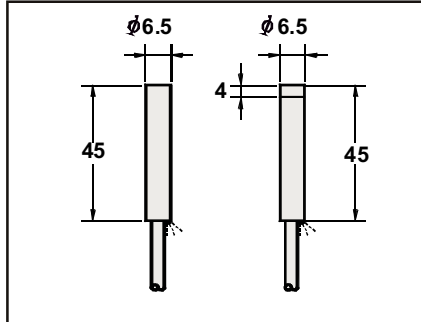
Cable 2M (PVC)
Weight

$\phi 6.5$	
●	○
3mm	6mm
Nickel plated brass	
●	



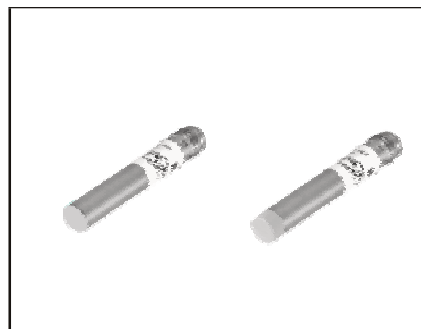
10-30VDC	
<10%	
<10mA	
200mA	
<0.01mA	
<2.0V	
1KHZ	500HZ
0.2ms/0.2ms	0.5ms/0.5ms
<15%(Sr)	
<1.0%(Sr)	
IP67	
-25 °C - +70 °C	
<10%(Sr)	
YES	
220mA	
POM	

P1D1S6.503NO3A2	1	P1D2S6.506NO3A2
P1D1S6.503NC3A2	2	P1D2S6.506NC3A2
P1D1S6.503PO3A2	3	P1D2S6.506PO3A2
P1D1S6.503PC3A2	4	P1D2S6.506PC3A2



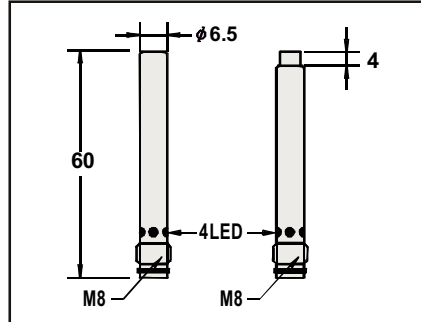
3 ϕ 3x0.15	
Approx. 36g	

$\phi 6.5$	
●	○
3mm	6mm
Nickel plated brass	
●	



10-30VDC	
<10%	
<10mA	
200mA	
<0.01mA	
<2.0V	
1KHZ	500HZ
0.2ms/0.2ms	0.5ms/0.5ms
<15%(Sr)	
<1.0%(Sr)	
IP67	
-25 °C - +70 °C	
<10%(Sr)	
YES	
220mA	
POM	

P1D1S6.503NO3A2	1	P1D2S6.506NO3A2
P1D1S6.503NC3A2	2	P1D2S6.506NC3A2
P1D1S6.503PO3A2	3	P1D2S6.506PO3A2
P1D1S6.503PC3A2	4	P1D2S6.506PC3A2



Approx. 17g	Approx. 16g
-------------	-------------

DC INDUCTIVE PROXIMITY SWITCH

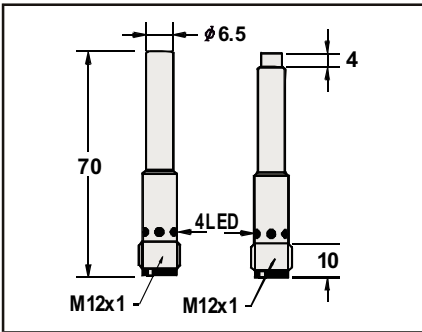
φ 6.5

●	○
3mm	6mm
Nickel plated brass	
●	



10-30VDC	
<10%	
<10mA	
200mA	
<0.01mA	
<2.0V	
1KHZ	500HZ
0.2ms/0.2ms	0.5ms/0.5ms
<15%(Sr)	
<1.0%(Sr)	
IP67	
-25 °C - +70 °C	
<10%(Sr)	
YES	
220mA	
POM	

P1D1S6.503NOEA4	1	P1D2S6.506NOEA4
P1D1S6.503NCEA4	2	P1D2S6.506NCEA4
P1D1S6.503POEA4	3	P1D2S6.506POEA4
P1D1S6.503PCEA4	4	P1D2S6.506PCEA4



approx. 25 g

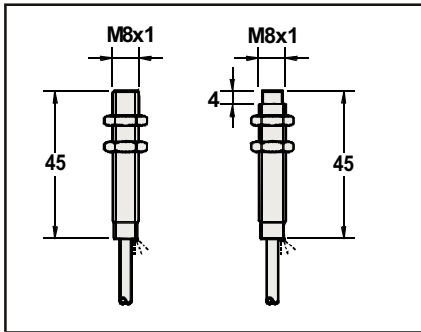
M 8

●	○
1mm	2mm
stainless steel	
●	



10-30VDC / 5-36VDC / 10-55V/ 10-60VDC	
<10%	
<10mA	
200mA	
<0.01mA	
<1.5V	
2KHZ	
0.1ms/0.1ms	
<15%(Sr)	
<1.0%(Sr)	
IP67	
-25 °C - +70 °C	
<10%(Sr)	
YES	
220mA	
POM	

P1C1S0801NO3A2	1	P1C2S08 02NO3A2
P1C1S0801NC3A2	2	P1C2S08 02NC3A2
P1C1S0801PO3A2	3	P1C2S08 02PO3A2
P1C1S0801PC3A2	4	P1C2S08 02PC3A2
P1C1S0801PS4A2	6	P1C2S08 02PS4A2
P1C1S0801NS4A2	5	P1C2S08 02NS4A2
P4C1S0801CO2A2	7	P4C2S08 02CO2A2
P4C1S0801CC2A2	8	P4C2S08 02CC2A2
P3C1S0801NO3A2	1	P3C2S08 02NO3A2
P3C1S0801NC3A2	2	P3C2S08 02NC3A2
P3C1S0801PO3A2	3	P3C2S08 02PO3A2
P3C1S0801PC3A2	4	P3C2S08 02PC3A2
P2C1S0801NO3A2	1	P2C2S08 02NO3A2
P2C1S0801NC3A2	2	P2C2S08 02NC3A2
P2C1S0801PO3A2	3	P2C2S08 02PO3A2
P2C1S0801PC3A2	4	P2C2S08 02PC3A2
P2C1S0801PS4A2	6	P2C2S08 02PS4A2
P2C1S0801NS4A2	5	P2C2S08 02NS4A2



3 φ 3x0.15 or 3 φ 4x0.15
Approx. 40 g

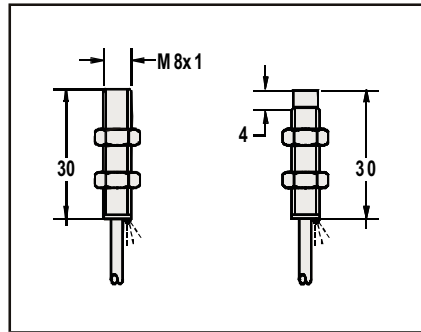
M 8

●	○
1mm	2mm
stainless steel	
●	



10-30VDC / 5-36VDC	
<10%	
<10mA	
200mA	
<0.01mA	
<1.5V	
2KHZ	
0.1ms/0.1ms	
<15%(Sr)	
<1.0%(Sr)	
IP67	
-25 °C - +70 °C	
<10%(Sr)	
YES	
220mA	
POM	

P1C1S0801NO3S2	1	P1C2S0802NO3S2
P1C1S0801NC3S2	2	P1C2S0802NC3S2
P1C1S0801PO3S2	3	P1C2S0802PO3S2
P1C1S0801PC3S2	4	P1C2S0802PC3S2



3 φ 3x0.15
Approx. 47 g