

CIT 200

Process Display



Functional range

- ▶ free scalable display
- ▶ 4 characteristic curve functions selectable (linear, root, square function or max. 20 free selectable supporting points)
- ▶ display brightness and filter adjustable
- ▶ programming via infrared remote control IR 1

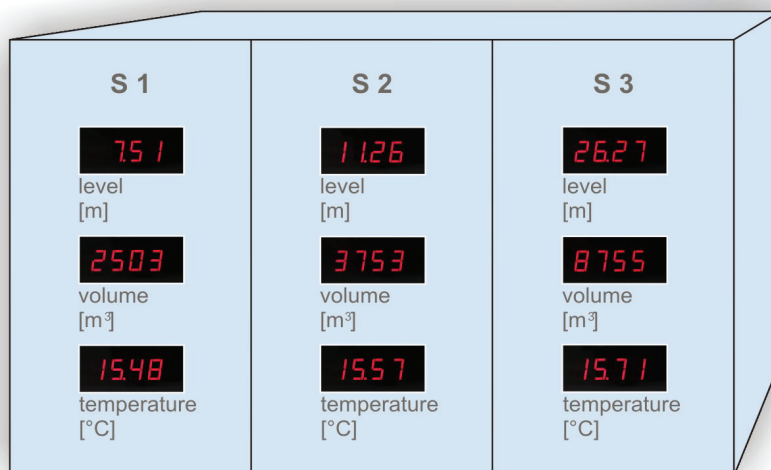
Product characteristics

- ▶ input signal: 0/4 ... 20 mA, 0/1 ... 5 V, 0/2 ... 10 V
- ▶ 4-digit LED display
- ▶ communication interface RS-485 (Modbus RTU)
- ▶ front panel housing 72 x 36 mm

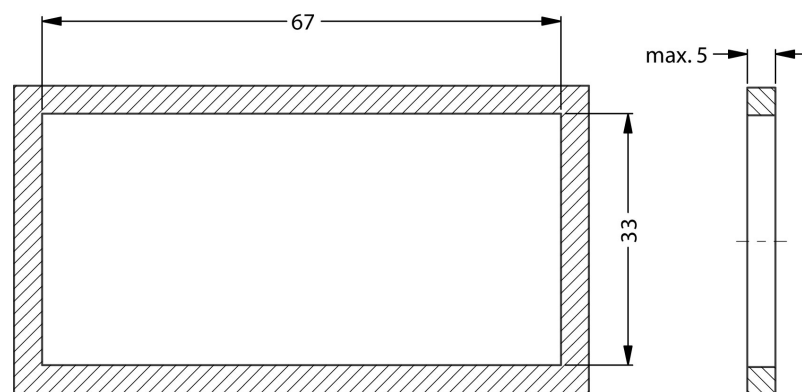
Optional versions

- ▶ input signal PT100 / PT500 / PT1000

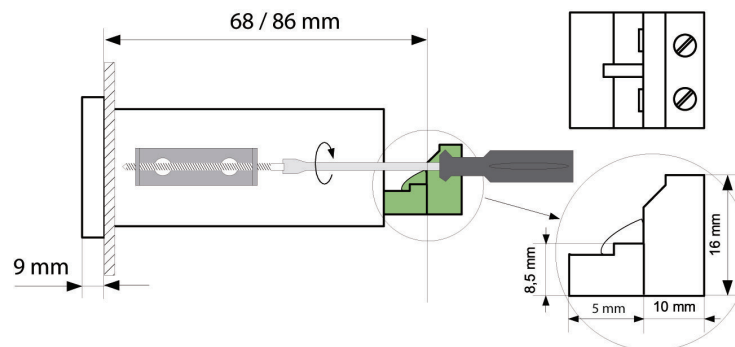
Typical application: display panel for silo battery



Supply		
Supply voltage	standard: 10 ... 30 V _{DC}	option: 110V _{AC} / 230 V _{AC} ± 10 %
Power consumption	24 V _{DC} version: max. 1 W	110 V _{AC} / 230 V _{AC} version: max. 1.5 VA
Signal input		
Input signal	standard: 0/4 ... 20 mA, 0/1 ... 5 V, 0/2 ... 10 V option: PT100 / PT500 / PT1000	
Communication / Performance		
Communication interface	RS-485 (Modbus RTU)	
Transmission speed	1200 - 115200 bit/sec.	
Type of protection		
Display	IP 40 (front side)	
Permissible temperatures		
Operating temperature	0 ... 50 °C	
Storage temperature	-10 ... 70 °C	
Electrical Protection		
Electrical safety	EN 61010-1	
EMC	EN 61326	
Miscellaneous		
Display	4-digit LED display, red, 4 x 13 mm	
Range of indication	- 999 ... 9999 + decimal point / temperature range: -100 ... 600 °C	
Accuracy (25 °C)	± 0.1 % FSO	tolerance band (0 ... 50 °C): max. 0.25 % FSO
Housing dimensions	24 V _{DC} version: 72 x 36 x 77 mm 110V _{AC} / 230 V _{AC} version: 72 x 36 x 95 mm	
Housing	panel	
Housing material	NORYL UL94V-0	
CE-conformity	EMC Directive: 2004/108/WE	
Dimensions (in mm)		



mounting hole dimensions



dimensions of brackets and connectors

This data sheet contains product specification, properties are not guaranteed. Subject to change without notice.

Ordering Code CIT 200

CIT 200 - - - -

Input type			
0/4 ... 20 mA, 0/1 ... 5 V, 0/2 ... 10 V	1		
PT100, PT500, PT1000	2		
Supply			
10 ... 30 V _{DC}	1		
230 V _{AC}	2		
110 V _{AC}	3		
Display caption			
neutral		1 0 0	
customer		9 9 9	consult
Special version			
standard		0 0 0	
customer		9 9 9	consult

This price list contains product specification; properties are not guaranteed. Detailed information about options are defined in the datasheet. Subject to change without notice.

