



DM 10

Battery Powered Digital Pressure Gauge

Ceramic Diaphragm

class 0.5

Digital Pressure Gauge

DM 10

Product characteristics

- ▶ nominal pressure ranges from 0 ... 1.6 bar up to 0 ... 250 bar
- ▶ adjustable housing
- ▶ LC display
4.5-digit 7-segment display
- ▶ standard battery CR 2450
operation period > 1.800 h

Functions

- ▶ min / max function with reset function
- ▶ auto-zero
- ▶ setting the pressure unit (bar, mbar, psi, MPa, mH₂O)
- ▶ switch-off automatic configuration

CE

The compact low-cost digital pressure gauge DM 10 is battery-powered and has a rotatable housing; it is thus extremely suitable for a mobile pressure monitoring.

The 4.5-digit LC-display indicating the battery loading status, the measurement value as well as the unit enables a fast and precise reading.

It is possible to switch between the most common units (bar, psi, Pa, MPa). Additional functions as auto-zero, min / max values and an automatic switching-off complete the DM 10 profile.

Preferred areas of use are



Mobile Pressure Monitoring
Plant and Machine Engineering
Pneumatics / Hydraulics



Environmental Engineering

Input Pressure												
Nominal pressure gauge[bar]	1.6	2.5	4	6	10	16	25	40	60	100	160	250
Overpressure [bar]	4	4	10	10	20	40	40	100	100	200	400	400
Burst pressure [bar]	7	7	15	15	35	70	70	150	150	250	450	450
Vakuum resistance	unlimited											

Performance		
Accuracy	IEC 60770 ¹ : $\leq \pm 1\%$ FSO	BFSL: $\leq \pm 0.5\%$ FSO
Measuring rate	1/sec	
Long term stability	$\leq \pm 0.3\%$ FSO / year	
¹ accuracy according to IEC 60770 – limit point adjustment (non-linearity, hysteresis, repeatability)		

Thermal effects (Offset and Span)		
Tolerance band	$\leq \pm 0.5\%$ FSO / 10 K (typ.)	in compensated range 0 ... 50 °C

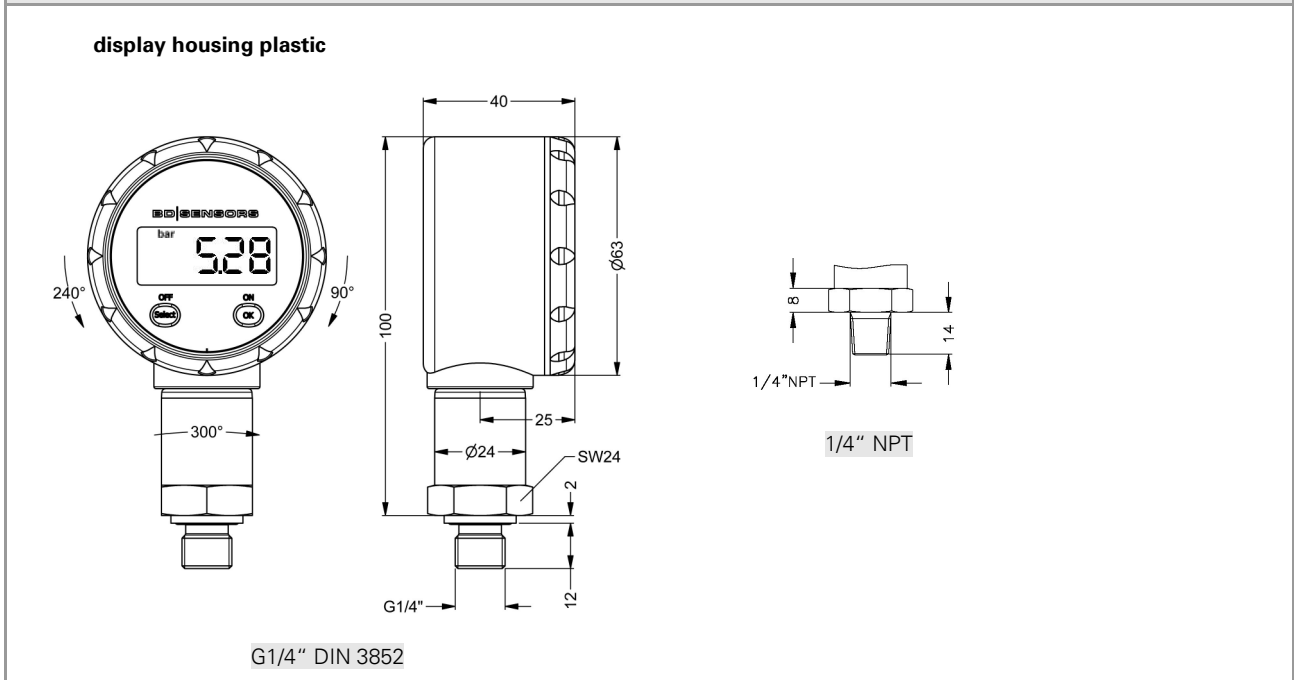
Permissible temperatures		
Permissible temperatures	medium: -25 ... 85 °C	environment: 0 ... 70 °C storage: 0 ... 70 °C

Materials	
Pressure port / housing	stainless steel 1.4301 (304)
Display housing	PA 6.6, Polycarbonate
Seals (media wetted)	FKM others on request
Diaphragm	ceramics Al ₂ O ₃ 96 %
Media wetted parts	pressure port, seals, diaphragm

Miscellaneous	
Display	LC-Display, visible range 36 x 15 mm; 4.5-digit 7-segment-display, digit height 8.5 mm, range of indication ± 19999
Electromagnetic compatibility	emission and immunity according to EN 61326
Supply	3 V lithium battery (CR 2450)
Data storage	EEPROM (non-volatile)
Ingress protection	IP 65
Installation position	any
Weight	plastic: approx. 150 g
Operational life of battery	min. 1500 h in continually operation
Mech. operational life	> 100 x 10 ⁶ pressure cycles
CE-conformity	EMC directive: 2004/108/EG pressure equipment directive: 97/23/EG (Modul A) ²

² This directive is only valid for devices with maximum permissible overpressure > 200 bar.

Dimensions (in mm)



This data sheet contains product specification, properties are not guaranteed. Subject to change without notice.

Ordering code DM 10

DM 10

□ □ □ - □ □ □ □ - 0 - □ □ □ - 0 K 0 - □ □ □ - □ - □ - □ - □ - □ □ □

Pressure	gauge	M	0	4															
Input	[bar]																		
	1.6		1	6	0	1													
	2.5		2	5	0	1													
	4.0		4	0	0	1													
	6.0		6	0	0	1													
	10		1	0	0	2													
	16		1	6	0	2													
	25		2	5	0	2													
	40		4	0	0	2													
	60		6	0	0	2													
	100		1	0	0	3													
	160		1	6	0	3													
	250		2	5	0	3													
	customer		9	9	9	9													consult
Accuracy	[BFSL]																		
	0.5 %						B	5											
	customer						9	9											consult
Mechanical connection																			
	G1/4" DIN 3852						3	0	0										
	1/4" NPT						N	4	0										
	customer						9	9	9										consult
Seals																			
	FKM								1										
	customer								9										consult
Pressure port																			
	Stainless steel 1.4301 (304)									2									
	customer									9									consult
Diaphragm																			
	Ceramics Al ₂ O ₃ 96%										2								
	customer										9								consult
Front foil																			
	standard																		1
	neutral																		N
	customer																		9
Special version																			
	standard																		0 0 0
	customer																		9 9 9
																			consult

This ordering code contains product specification; properties are not guaranteed. Detailed information about options are defined in the datasheet. Subject to change without notice.

