

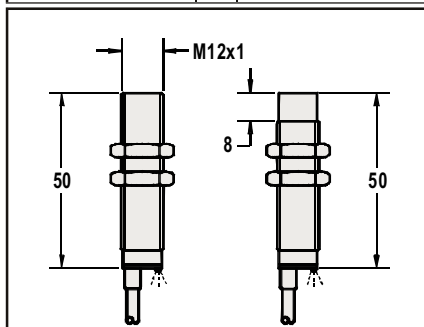
# DC METAL FACE INDUCTIVE PROXIMITY SWITCH

| M 12            |      |
|-----------------|------|
| ●               | ○    |
| 2 mm            | 4 mm |
| stainless steel |      |



|                                     |             |
|-------------------------------------|-------------|
| 10-30VDC/5-36VDC/10-55V DC/10-60VDC |             |
| <10%                                |             |
| <10mA                               |             |
| 200mA                               |             |
| <0.01mA                             |             |
| <1.5V                               |             |
| 2KHZ                                | 1KHZ        |
| 0.1ms/0.1ms                         | 0.2ms/0.2ms |
| <15%(Sr)                            |             |
| <1.0%(Sr)                           |             |
| IP67                                |             |
| -25°C - +70°C                       |             |
| <10%(Sr)                            |             |
| YES                                 |             |
| 220mA                               |             |
| Stainless steel                     |             |

|                |   |                |
|----------------|---|----------------|
| P1C1F1202NO3A2 | 1 | P1C2F1204NO3A2 |
| P1C1F1202NC3A2 | 2 | P1C2F1204NC3A2 |
| P1C1F1202PO3A2 | 3 | P1C2F1204PO3A2 |
| P1C1F1202PC3A2 | 4 | P1C2F1204PC3A2 |
| P1C1F1202PS4A2 | 5 | P1C2F1204PS4A2 |
| P1C1F1202NS4A2 | 6 | P1C2F1204NS4A2 |
| P4C1F1202CO2A2 | 7 | P4C2F1204CO2A2 |
| P4C1F1202CC2A2 | 8 | P4C2F1204CC2A2 |
| P3C1F1202NO3A2 | 1 | P3C2F1204NO3A2 |
| P3C1F1202NC3A2 | 2 | P3C2F1204NC3A2 |
| P3C1F1202PO3A2 | 3 | P3C2F1204PO3A2 |
| P3C1F1202PC3A2 | 4 | P3C2F1204PC3A2 |
| P2C1F1202NO3A2 | 1 | P2C2F1204NO3A2 |
| P2C1F1202NC3A2 | 2 | P2C2F1204NC3A2 |
| P2C1F1202PO3A2 | 3 | P2C2F1204PO3A2 |
| P2C1F1202PC3A2 | 4 | P2C2F1204PC3A2 |
| P2C1F1202PS4A2 | 6 | P2C2F1204PS4A2 |
| P2C1F1202NS4A2 | 5 | P2C2F1204NS4A2 |



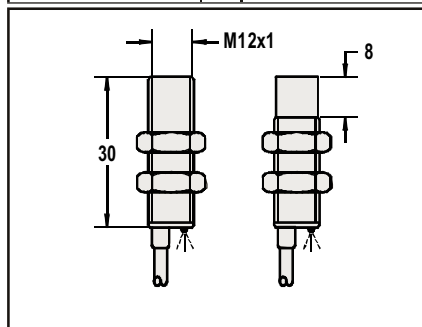
|                          |             |
|--------------------------|-------------|
| 4 φ 3x0.15 or 4 φ 4x0.15 |             |
| approx.67 g              | approx.65 g |

| M 12            |      |
|-----------------|------|
| ●               | ○    |
| 2 mm            | 4 mm |
| stainless steel |      |



|                  |             |
|------------------|-------------|
| 10-30VDC/5-36VDC |             |
| <10%             |             |
| <10mA            |             |
| 200mA            |             |
| <0.01mA          |             |
| <1.5V            |             |
| 2KHZ             | 1KHZ        |
| 0.1ms/0.1ms      | 0.2ms/0.2ms |
| <15%(Sr)         |             |
| <1.0%(Sr)        |             |
| IP67             |             |
| -25°C - +70°C    |             |
| <10%(Sr)         |             |
| YES              |             |
| 220mA            |             |
| Stainless steel  |             |

|                |   |                |
|----------------|---|----------------|
| P1C1F1202NO3S2 | 1 | P1C2F1204NO3S2 |
| P1C1F1202NC3S2 | 2 | P1C2F1204NC3S2 |
| P1C1F1202PO3S2 | 3 | P1C2F1204PO3S2 |
| P1C1F1202PC3S2 | 4 | P1C2F1204PC3S2 |
| P2C1F1202NO3S2 | 1 | P2C2F1204NO3S2 |
| P2C1F1202NC3S2 | 2 | P2C2F1204NC3S2 |
| P2C1F1202PO3S2 | 3 | P2C2F1204PO3S2 |
| P2C1F1202PC3S2 | 4 | P2C2F1204PC3S2 |



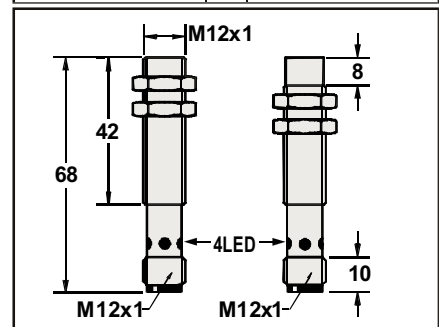
|             |              |
|-------------|--------------|
| 4 φ 3x0.15  |              |
| Approx.62 g | Approx. 60 g |

| M 12            |      |
|-----------------|------|
| ●               | ○    |
| 2 mm            | 4 mm |
| stainless steel |      |



|                                  |             |
|----------------------------------|-------------|
| 10-30VDC/5-36V/10-55VDC/10-60VDC |             |
| <10%                             |             |
| <10mA                            |             |
| 200mA                            |             |
| <0.01mA                          |             |
| <1.5V                            |             |
| 2KHZ                             | 1KHZ        |
| 0.1ms/0.1ms                      | 0.2ms/0.2ms |
| <15%(Sr)                         |             |
| <1.0%(Sr)                        |             |
| IP67                             |             |
| -25°C - +70°C                    |             |
| <10%(Sr)                         |             |
| YES                              |             |
| 220mA                            |             |
| Stainless steel                  |             |

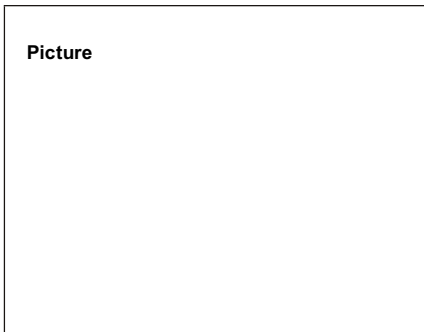
|                |   |                |
|----------------|---|----------------|
| P1C1F1202NOEA4 | 1 | P1C2F1204NOEA4 |
| P1C1F1202NCEA4 | 2 | P1C2F1204NCEA4 |
| P1C1F1202POEA4 | 3 | P1C2F1204POEA4 |
| P1C1F1202PCEA4 | 4 | P1C2F1204PCEA4 |
| P1C1F1202PSEA4 | 6 | P1C2F1204PSEA4 |
| P1C1F1202NSEA4 | 5 | P1C2F1204NSEA4 |
| P4C1F1202COEA4 | 7 | P4C2F1204COEA4 |
| P4C1F1202CCEA4 | 8 | P4C2F1204CCEA4 |
| P3C1F1202NOEA4 | 1 | P3C2F1204NOEA4 |
| P3C1F1202NCEA4 | 2 | P3C2F1204NCEA4 |
| P3C1F1202POEA4 | 3 | P3C2F1204POEA4 |
| P3C1F1202PCEA4 | 4 | P3C2F1204PCEA4 |
| P2C1F1202NOEA4 | 1 | P2C2F1204NOEA4 |
| P2C1F1202NCEA4 | 2 | P2C2F1204NCEA4 |
| P2C1F1202POEA4 | 3 | P2C2F1204POEA4 |
| P2C1F1202PCEA4 | 4 | P2C2F1204PCEA4 |
| P2C1F1202PSEA4 | 6 | P2C2F1204PSEA4 |
| P2C1F1202NSEA4 | 5 | P2C2F1204NSEA4 |



|             |  |             |  |
|-------------|--|-------------|--|
| approx.31 g |  | approx.30 g |  |
|-------------|--|-------------|--|

# DC METAL FACE INDUCTIVE PROXIMITY SWITCH

|                            |
|----------------------------|
| <b>Diameter</b>            |
| ● Shielded ○ non-Shielded  |
| Switching Distance, Sn: mm |
| Housing Material           |
| ● With LED ○ Without LED   |



|                          |                         |
|--------------------------|-------------------------|
| Operating Voltage        | 10-30VDC / 5-36VDC      |
| Ripple                   | <10%                    |
| No Load Current          | <10mA                   |
| Max. Load Current        | 200mA                   |
| Leakage Current          | <0.01mA                 |
| Voltage Drop             | <1.5V                   |
| Switching Frequency      | 2KHZ 1KHZ               |
| Response Time            | 0.1ms/0.1ms 0.2ms/0.2ms |
| Switching Hysteresis     | <15%(Sr)                |
| Repeat Accuracy          | <1.0%(Sr)               |
| Protection Category      | IP67                    |
| Operating Temperature    | -25°C - +70°C           |
| Temperature Drift        | <10%(Sr)                |
| Short Circuit Protection | YES                     |
| Overload Trip Point      | 220mA                   |
| Material Active Face     | Stainless steel         |

|   |                |   |                |
|---|----------------|---|----------------|
| DC 3 wire 10-30V NPN N.O.                       | P1C1F1202NOES4 | 1 | P1C2F1204NOES4 |
| DC 3 wire 10-30V NPN N.C.                       | P1C1F1202NCES4 | 2 | P1C2F1204NCES4 |
| DC 3 wire 10-30V PNP N.O.                       | P1C1F1202POES4 | 3 | P1C2F1204POES4 |
| DC 3 wire 10-30V PNP N.C.                       | P1C1F1202PCES4 | 4 | P1C2F1204PCES4 |
| DC 4 wire 10-30V Changeover PNP (N.O. & N.C.)   |                |   |                |
| DC 4 wire 10-30V Changeover NPN (N.O. & N.C.)   |                |   |                |
| DC 2 wire 10-60V N.O. *                         |                |   |                |
| DC 2 wire 10-60V N.C. *                         |                |   |                |
| DC 3 wire 10-55v NPN N.O.                       |                |   |                |
| DC 3 wire 10-55v NPN N.C.                       |                |   |                |
| DC 3 wire 10-55v PNP N.O.                       |                |   |                |
| DC 3 wire 10-55v PNP N.C.                       |                |   |                |
| DC 3 wire 5-36v NPN N.O.                        | P2C1F1202NOES4 | 1 | P2C2F1204NOES4 |
| DC 3 wire 5-36v NPN N.C.                        | P2C1F1202NCES4 | 2 | P2C2F1204NCES4 |
| DC 3 wire 5-36v PNP N.O.                        | P2C1F1202POES4 | 3 | P2C2F1204POES4 |
| DC 3 wire 5-36v PNP N.C.                        | P2C1F1202PCES4 | 4 | P2C2F1204PCES4 |
| AC/DC 4 wire 5-36v Changeover PNP (N.O. & N.C.) |                |   |                |
| AC/DC 4 wire 5-36v Changeover NPN (N.O. & N.C.) |                |   |                |

|  |
|--|
| <b>Dimensions (unit: mm)</b>                                     |
|  |
| * : DC 2 wire 10-60V specifications see page 178. Other is same. |

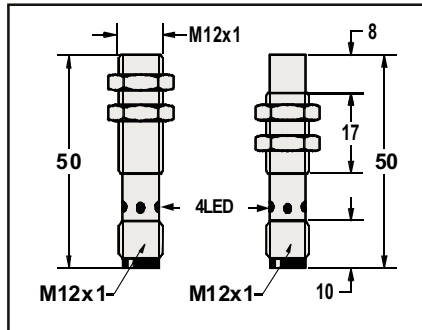
|                |
|----------------|
| Cable 2M (PVC) |
| Weight         |

|                 |      |
|-----------------|------|
| <b>M 12</b>     |      |
| ●               | ○    |
| 2 mm            | 4 mm |
| stainless steel |      |
| ●               |      |



|                          |                         |
|--------------------------|-------------------------|
| Operating Voltage        | 10-30VDC / 5-36VDC      |
| Ripple                   | <10%                    |
| No Load Current          | <10mA                   |
| Max. Load Current        | 200mA                   |
| Leakage Current          | <0.01mA                 |
| Voltage Drop             | <1.5V                   |
| Switching Frequency      | 2KHZ 1KHZ               |
| Response Time            | 0.1ms/0.1ms 0.2ms/0.2ms |
| Switching Hysteresis     | <15%(Sr)                |
| Repeat Accuracy          | <1.0%(Sr)               |
| Protection Category      | IP67                    |
| Operating Temperature    | -25°C - +70°C           |
| Temperature Drift        | <10%(Sr)                |
| Short Circuit Protection | YES                     |
| Overload Trip Point      | 220mA                   |
| Material Active Face     | Stainless steel         |

|   |                |   |                |
|---|----------------|---|----------------|
| DC 3 wire 10-30V NPN N.O.                       | P1C1F1204NO3A2 | 1 | P1C2F1208NO3A2 |
| DC 3 wire 10-30V NPN N.C.                       | P1C1F1204NC3A2 | 2 | P1C2F1208NC3A2 |
| DC 3 wire 10-30V PNP N.O.                       | P1C1F1204PO3A2 | 3 | P1C2F1208PO3A2 |
| DC 3 wire 10-30V PNP N.C.                       | P1C1F1204PC3A2 | 4 | P1C2F1208PC3A2 |
| DC 4 wire 10-30V Changeover PNP (N.O. & N.C.)   |                |   |                |
| DC 4 wire 10-30V Changeover NPN (N.O. & N.C.)   |                |   |                |
| DC 2 wire 10-60V N.O. *                         |                |   |                |
| DC 2 wire 10-60V N.C. *                         |                |   |                |
| DC 3 wire 10-55v NPN N.O.                       |                |   |                |
| DC 3 wire 10-55v NPN N.C.                       |                |   |                |
| DC 3 wire 10-55v PNP N.O.                       |                |   |                |
| DC 3 wire 10-55v PNP N.C.                       |                |   |                |
| DC 3 wire 5-36v NPN N.O.                        | P2C1F1204NOES4 | 1 | P2C2F1204NOES4 |
| DC 3 wire 5-36v NPN N.C.                        | P2C1F1204NCES4 | 2 | P2C2F1204NCES4 |
| DC 3 wire 5-36v PNP N.O.                        | P2C1F1204POES4 | 3 | P2C2F1204POES4 |
| DC 3 wire 5-36v PNP N.C.                        | P2C1F1204PCES4 | 4 | P2C2F1204PCES4 |
| AC/DC 4 wire 5-36v Changeover PNP (N.O. & N.C.) |                |   |                |
| AC/DC 4 wire 5-36v Changeover NPN (N.O. & N.C.) |                |   |                |



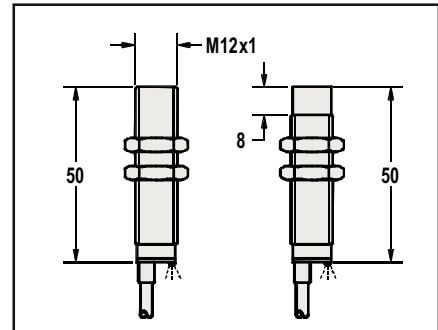
|                |
|----------------|
| Cable 2M (PVC) |
| Weight         |

|                 |      |
|-----------------|------|
| <b>M 12</b>     |      |
| ●               | ○    |
| 4 mm            | 8 mm |
| stainless steel |      |
| ●               |      |



|                          |                         |
|--------------------------|-------------------------|
| Operating Voltage        | 10-30VDC                |
| Ripple                   | <10%                    |
| No Load Current          | <10mA                   |
| Max. Load Current        | 200mA                   |
| Leakage Current          | <0.01mA                 |
| Voltage Drop             | <1.5V                   |
| Switching Frequency      | 1KHZ 500HZ              |
| Response Time            | 0.2ms/0.2ms 0.5ms/0.5ms |
| Switching Hysteresis     | <15%(Sr)                |
| Repeat Accuracy          | <1.0%(Sr)               |
| Protection Category      | IP67                    |
| Operating Temperature    | -25°C - +70°C           |
| Temperature Drift        | <10%(Sr)                |
| Short Circuit Protection | YES                     |
| Overload Trip Point      | 220mA                   |
| Material Active Face     | Stainless steel         |

|   |                |   |                |
|---|----------------|---|----------------|
| DC 3 wire 10-30V NPN N.O.                       | P1C1F1204NO3A2 | 1 | P1C2F1208NO3A2 |
| DC 3 wire 10-30V NPN N.C.                       | P1C1F1204NC3A2 | 2 | P1C2F1208NC3A2 |
| DC 3 wire 10-30V PNP N.O.                       | P1C1F1204PO3A2 | 3 | P1C2F1208PO3A2 |
| DC 3 wire 10-30V PNP N.C.                       | P1C1F1204PC3A2 | 4 | P1C2F1208PC3A2 |
| DC 4 wire 10-30V Changeover PNP (N.O. & N.C.)   |                |   |                |
| DC 4 wire 10-30V Changeover NPN (N.O. & N.C.)   |                |   |                |
| DC 2 wire 10-60V N.O. *                         |                |   |                |
| DC 2 wire 10-60V N.C. *                         |                |   |                |
| DC 3 wire 10-55v NPN N.O.                       |                |   |                |
| DC 3 wire 10-55v NPN N.C.                       |                |   |                |
| DC 3 wire 10-55v PNP N.O.                       |                |   |                |
| DC 3 wire 10-55v PNP N.C.                       |                |   |                |
| DC 3 wire 5-36v NPN N.O.                        | P2C1F1204NOES4 | 1 | P2C2F1204NOES4 |
| DC 3 wire 5-36v NPN N.C.                        | P2C1F1204NCES4 | 2 | P2C2F1204NCES4 |
| DC 3 wire 5-36v PNP N.O.                        | P2C1F1204POES4 | 3 | P2C2F1204POES4 |
| DC 3 wire 5-36v PNP N.C.                        | P2C1F1204PCES4 | 4 | P2C2F1204PCES4 |
| AC/DC 4 wire 5-36v Changeover PNP (N.O. & N.C.) |                |   |                |
| AC/DC 4 wire 5-36v Changeover NPN (N.O. & N.C.) |                |   |                |



|                |
|----------------|
| Cable 2M (PVC) |
| Weight         |

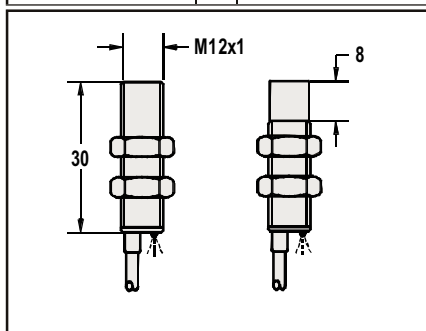
# DC METAL FACE INDUCTIVE PROXIMITY SWITCH

| M 12            |      |
|-----------------|------|
| ●               | ○    |
| 4 mm            | 8 mm |
| stainless steel |      |
| ●               |      |



|                 |             |
|-----------------|-------------|
| 10-30VDC        |             |
| <10%            |             |
| <10mA           |             |
| 200mA           |             |
| <0.01mA         |             |
| <1.5V           |             |
| 1KHZ            | 500HZ       |
| 0.2ms/0.2ms     | 0.5ms/0.5ms |
| <15%(Sr)        |             |
| <1.0%(Sr)       |             |
| IP67            |             |
| -25°C - +70°C   |             |
| <10%(Sr)        |             |
| YES             |             |
| 220mA           |             |
| Stainless steel |             |

|                |   |                |
|----------------|---|----------------|
| P1C1F1204NO3S2 | 1 | P1C2F1208NO3S2 |
| P1C1F1204NC3S2 | 2 | P1C2F1208NC3S2 |
| P1C1F1204PO3S2 | 3 | P1C2F1208PO3S2 |
| P1C1F1204PC3S2 | 4 | P1C2F1208PC3S2 |
|                |   |                |
|                |   |                |
|                |   |                |
|                |   |                |
|                |   |                |
|                |   |                |
|                |   |                |
|                |   |                |
|                |   |                |
|                |   |                |
|                |   |                |
|                |   |                |
|                |   |                |
|                |   |                |
|                |   |                |
|                |   |                |
|                |   |                |



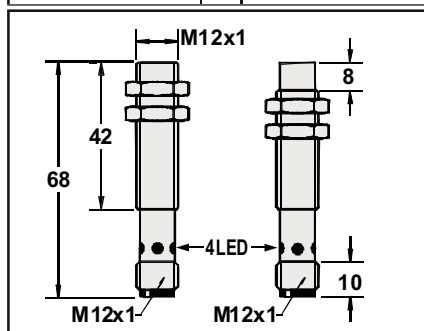
|             |             |
|-------------|-------------|
| 4 φ 3x0.15  |             |
| Approx.62 g | Approx.60 g |

| M 12            |      |
|-----------------|------|
| ●               | ○    |
| 4 mm            | 8 mm |
| stainless steel |      |
| ●               |      |



|                 |             |
|-----------------|-------------|
| 10-30VDC        |             |
| <10%            |             |
| <10mA           |             |
| 200mA           |             |
| <0.01mA         |             |
| <1.5V           |             |
| 1KHZ            | 500HZ       |
| 0.2ms/0.2ms     | 0.5ms/0.5ms |
| <15%(Sr)        |             |
| <1.0%(Sr)       |             |
| IP67            |             |
| -25°C - +70°C   |             |
| <10%(Sr)        |             |
| YES             |             |
| 220mA           |             |
| Stainless steel |             |

|                |   |                |
|----------------|---|----------------|
| P1C1F1204NOEA4 | 1 | P1C2F1208NOEA4 |
| P1C1F1204NCEA4 | 2 | P1C2F1208NCEA4 |
| P1C1F1204POEA4 | 3 | P1C2F1208POEA4 |
| P1C1F1204PCEA4 | 4 | P1C2F1208PCEA4 |
|                |   |                |
|                |   |                |
|                |   |                |
|                |   |                |
|                |   |                |
|                |   |                |
|                |   |                |
|                |   |                |
|                |   |                |
|                |   |                |
|                |   |                |
|                |   |                |
|                |   |                |
|                |   |                |
|                |   |                |
|                |   |                |
|                |   |                |
|                |   |                |



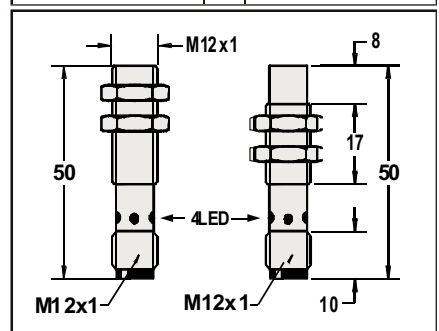
|             |             |
|-------------|-------------|
| approx.31 g | approx.30 g |
|-------------|-------------|

| M 12            |      |
|-----------------|------|
| ●               | ○    |
| 4 mm            | 8 mm |
| stainless steel |      |
| ●               |      |



|                 |             |
|-----------------|-------------|
| 10-30VDC        |             |
| <10%            |             |
| <10mA           |             |
| 200mA           |             |
| <0.01mA         |             |
| <1.5V           |             |
| 1KHZ            | 500HZ       |
| 0.2ms/0.2ms     | 0.5ms/0.5ms |
| <15%(Sr)        |             |
| <1.0%(Sr)       |             |
| IP67            |             |
| -25°C - +70°C   |             |
| <10%(Sr)        |             |
| YES             |             |
| 220mA           |             |
| Stainless steel |             |

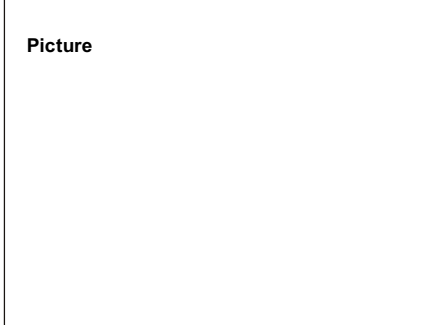
|                |   |                |
|----------------|---|----------------|
| P1C1F1204NOES4 | 1 | P1C2F1208NOES4 |
| P1C1F1204NCES4 | 2 | P1C2F1208NCES4 |
| P1C1F1204POES4 | 3 | P1C2F1208POES4 |
| P1C1F1204PCES4 | 4 | P1C2F1208PCES4 |
|                |   |                |
|                |   |                |
|                |   |                |
|                |   |                |
|                |   |                |
|                |   |                |
|                |   |                |
|                |   |                |
|                |   |                |
|                |   |                |
|                |   |                |
|                |   |                |
|                |   |                |
|                |   |                |
|                |   |                |
|                |   |                |
|                |   |                |
|                |   |                |



|             |             |
|-------------|-------------|
| approx.25 g | Approx.23 g |
|-------------|-------------|

# DC METAL FACE INDUCTIVE PROXIMITY SWITCH

| Diameter                     |
|------------------------------|
| ● Shielded    ○ non-Shielded |
| Switching Distance, Sn: mm   |
| Housing Material             |
| ● With LED    ○ Without LED  |



|                          |
|--------------------------|
| Operating Voltage        |
| Ripple                   |
| No Load Current          |
| Max. Load Current        |
| Leakage Current          |
| Voltage Drop             |
| Switching Frequency      |
| Response Time            |
| Switching Hysteresis     |
| Repeat Accuracy          |
| Protection Category      |
| Operating Temperature    |
| Temperature Drift        |
| Short Circuit Protection |
| Overload Trip Point      |
| Material Active Face     |

|   |
|---|
| DC 3 wire 10-30V NPN N.O.                       |
| DC 3 wire 10-30V NPN N.C.                       |
| DC 3 wire 10-30V PNP N.O.                       |
| DC 3 wire 10-30V PNP N.C.                       |
| DC 4 wire 10-30V Changeover PNP (N.O. & N.C.)   |
| DC 4 wire 10-30V Changeover NPN (N.O. & N.C.)   |
| DC 2 wire 10-60V N.O. *                         |
| DC 2 wire 10-60V N.C. *                         |
| DC 3 wire 10-55v NPN N.O.                       |
| DC 3 wire 10-55v NPN N.C.                       |
| DC 3 wire 10-55v PNP N.O.                       |
| DC 3 wire 10-55v PNP N.C.                       |
| DC 3 wire 5-36v NPN N.O.                        |
| DC 3 wire 5-36v NPN N.C.                        |
| DC 3 wire 5-36v PNP N.O.                        |
| DC 3 wire 5-36v PNP N.C.                        |
| AC/DC 4 wire 5-36v Changeover PNP (N.O. & N.C.) |
| AC/DC 4 wire 5-36v Changeover NPN (N.O. & N.C.) |

|  |
|--|
| Dimensions (unit: mm)  |
| <br>   |
| * : DC 2 wire 10-60V specifications see page 178. Other is same. |

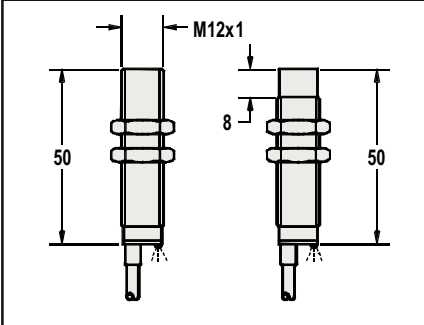
|                |
|----------------|
| Cable 2M (PVC) |
| Weight         |

| M 12            |       |
|-----------------|-------|
| ●               | ○     |
| 6 mm            | 10 mm |
| stainless steel |       |
| ●               |       |



|                 |             |
|-----------------|-------------|
| 10-30VDC        |             |
| <10%            |             |
| <10mA           |             |
| 200mA           |             |
| <0.01mA         |             |
| <1.5V           |             |
| 800HZ           | 400HZ       |
| 0.2ms/0.2ms     | 0.3ms/0.3ms |
| <15%(Sr)        |             |
| <1.0%(Sr)       |             |
| IP67            |             |
| -25°C ~ +70°C   |             |
| <10%(Sr)        |             |
| YES             |             |
| 220mA           |             |
| Stainless steel |             |

|                |   |                |
|----------------|---|----------------|
| P1C1F1206NO3A2 | 1 | P1C2F1210NO3A2 |
| P1C1F1206NC3A2 | 2 | P1C2F1210NC3A2 |
| P1C1F1206PO3A2 | 3 | P1C2F1210PO3A2 |
| P1C1F1206PC3A2 | 4 | P1C2F1210PC3A2 |
|                |   |                |
|                |   |                |
|                |   |                |
|                |   |                |
|                |   |                |
|                |   |                |
|                |   |                |
|                |   |                |
|                |   |                |
|                |   |                |
|                |   |                |
|                |   |                |
|                |   |                |
|                |   |                |
|                |   |                |
|                |   |                |
|                |   |                |
|                |   |                |
|                |   |                |
|                |   |                |
|                |   |                |



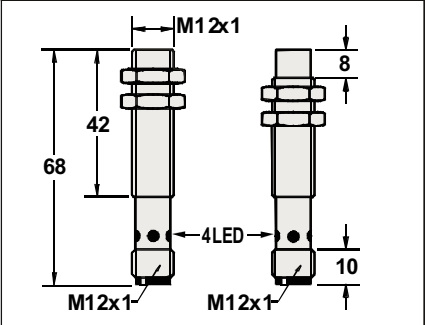
|             |             |
|-------------|-------------|
| 4 Φ3x0.15   |             |
| approx.67 g | approx.65 g |

| M 12            |       |
|-----------------|-------|
| ●               | ○     |
| 6 mm            | 10 mm |
| stainless steel |       |
| ●               |       |



|                 |             |
|-----------------|-------------|
| 10-30VDC        |             |
| <10%            |             |
| <10mA           |             |
| 200mA           |             |
| <0.01mA         |             |
| <1.5V           |             |
| 800HZ           | 400HZ       |
| 0.2ms/0.2ms     | 0.3ms/0.3ms |
| <15%(Sr)        |             |
| <1.0%(Sr)       |             |
| IP67            |             |
| -25°C ~ +70°C   |             |
| <10%(Sr)        |             |
| YES             |             |
| 220mA           |             |
| Stainless steel |             |

|                |   |                |
|----------------|---|----------------|
| P1C1F1206NOEA4 | 1 | P1C2F1210NOEA4 |
| P1C1F1206NCEA4 | 2 | P1C2F1210NCEA4 |
| P1C1F1206POEA4 | 3 | P1C2F1210POEA4 |
| P1C1F1206PCEA4 | 4 | P1C2F1210PCEA4 |
|                |   |                |
|                |   |                |
|                |   |                |
|                |   |                |
|                |   |                |
|                |   |                |
|                |   |                |
|                |   |                |
|                |   |                |
|                |   |                |
|                |   |                |
|                |   |                |
|                |   |                |
|                |   |                |
|                |   |                |
|                |   |                |
|                |   |                |
|                |   |                |
|                |   |                |
|                |   |                |
|                |   |                |



|             |             |
|-------------|-------------|
| 4 Φ3x0.15   |             |
| approx.31 g | approx.30 g |