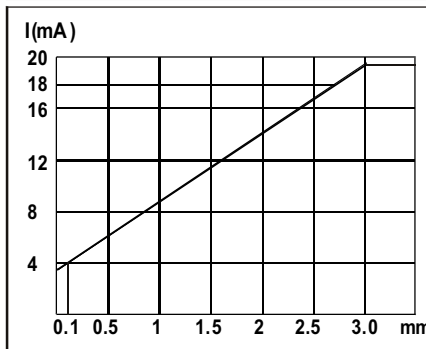


# ANALOG INDUCTIVE CURRENT OUTPUT ANALOG SENSOR

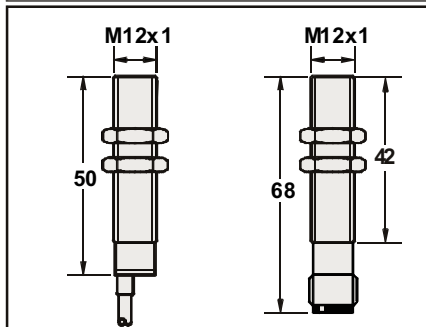
M 12
●
0.1-3.0mm
Nickel plated brass
○



18-30VDC
<10%
<35mA
-
4-20mA/400Ω Max.
<5%
0.02mm
0°C ~ +70°C
<5% (Sr)
-
YES
IP67
PNP-ANALOG
100Hz
-
RFI>3V/m / EFT>1KV / ESD>4KV (contact)
IEC 60947-5-2,Part 7.4.1 / IEC 60947-5-2,Part 7.4.2
PBT



P5C1B1202GI3A2	18	P5C1B1202GIEA4
----------------	----	----------------

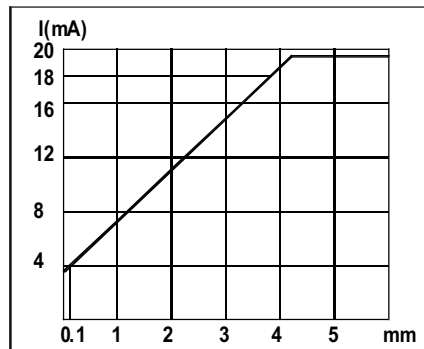


4φ3x0.15	-
approx.67g	approx.30g

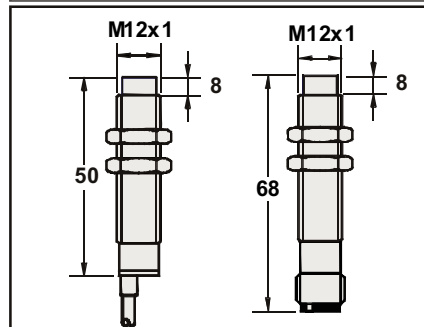
M 12
○
0.1-4 mm
Nickel plated brass
○



18-30VDC
<10%
<35mA
-
4-20mA/400Ω Max.
<5%
0.02mm
0°C ~ +70°C
<5% (Sr)
-
YES
IP67
PNP-ANALOG
100Hz
-
RFI>3V/m / EFT>1KV / ESD>4KV (contact)
IEC 60947-5-2,Part 7.4.1 / IEC 60947-5-2,Part 7.4.2
PBT



P5C2B1204GI3A2	18	P5C2B1204GIEA4
----------------	----	----------------

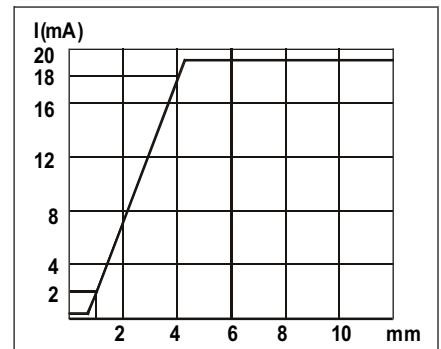


4φ3x0.15	-
approx.67g	approx.30g

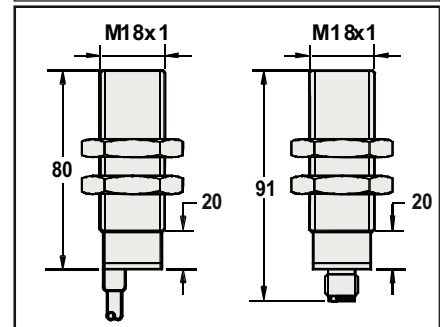
M 18
●
1-4 mm
Nickel plated brass
○



18-30VDC
<10%
15mA
-
0-20mA/200Ω Max.
<10% (Sr)
0.02mm
0°C ~ +70°C
5% (Sr)
-
YES
IP67
PNP-ANALOG
100Hz
-
RFI>3V/m / EFT>1KV / ESD>4KV (contact)
IEC 60947-5-2,Part 7.4.1 / IEC 60947-5-2,Part 7.4.2
PBT



P5C1B1804GI3A2	18	P5C1B1804GIEA4
----------------	----	----------------



5.8φ3x0.5	-
approx.142g	approx.69g