

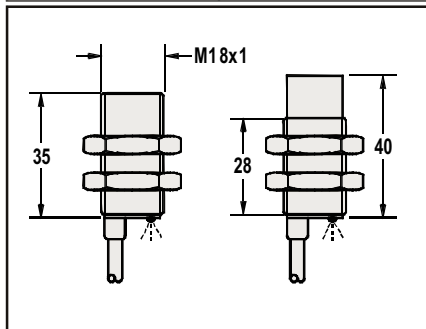
DC INDUCTIVE PROXIMITY SWITCH

M 18	
●	○
5 mm	8 mm
stainless steel or nickel plated brass	
●	



10-30VDC / 5-36VDC / 10-55VDC / 10-60VDC	
<10%	
<10mA	
200mA	
<0.01mA	
<1.5V	
1KHZ	500HZ
0.2ms/0.2ms	0.5ms/0.5ms
<15%(Sr)	
<1.0%(Sr)	
IP67	
-25 °C - +70 °C	
<10%(Sr)	
YES	
220mA	
PBT	

P1C1B1805N03S2	1	P1C2B1808N03S2
P1C1B1805NC3S2	2	P1C2B1808NC3S2
P1C1B1805PO3S2	3	P1C2B1808PO3S2
P1C1B1805PC3S2	4	P1C2B1808PC3S2
P1C1B1805PS4S2	6	P1C2B1808PS4S2
P1C1B1805NS4S2	5	P1C2B1808NS4S2
P4C1B1805CO2S2	7	P4C2B1808CO2S2
P4C1B1805CC2S2	8	P4C2B1808CC2S2
P3C1B1805N03S2	1	P3C2B1808N03S2
P3C1B1805NC3S2	2	P3C2B1808NC3S2
P3C1B1805PO3S2	3	P3C2B1808PO3S2
P3C1B1805PC3S2	4	P3C2B1808PC3S2
P2C1B1805N03S2	1	P2C2B1808N03S2
P2C1B1805NC3S2	2	P2C2B1808NC3S2
P2C1B1805PO3S2	3	P2C2B1808PO3S2
P2C1B1805PC3S2	4	P2C2B1808PC3S2
P2C1B1805PS4S2	6	P2C2B1808PS4S2
P2C1B1805NS4S2	5	P2C2B1808NS4S2



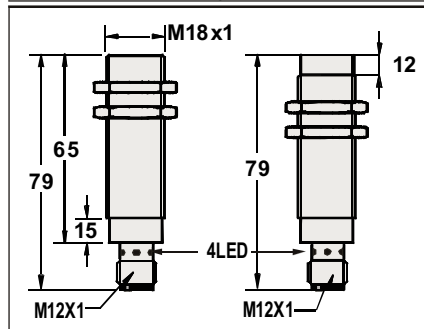
4φ 3x0.34 or 4φ 4x0.34	
Approx. 132 g	Approx. 134 g

M 18	
●	○
5 mm	8 mm
stainless steel or nickel plated brass	
●	



10-30VDC / 5-36VDC / 10-55VDC / 10-60VDC	
<10%	
<10mA	
200mA	
<0.01mA	
<1.5V	
1KHZ	500HZ
0.2ms/0.2ms	0.5ms/0.5ms
<15%(Sr)	
<1.0%(Sr)	
IP 67	
-25 °C - +70 °C	
<10%(Sr)	
YES	
220mA	
PBT	

P1C1B1805NOEA4	1	P1C2B1808NOEA4
P1C1B1805NCEA4	2	P1C2B1808NCEA4
P1C1B1805POEA4	3	P1C2B1808POEA4
P1C1B1805PCEA4	4	P1C2B1808PCEA4
P1C1B1805PSEA4	6	P1C2B1808PSEA4
P1C1B1805NSEA4	5	P1C2B1808NSEA4
P4C1B1805COEA4	7	P4C2B1808COEA4
P4C1B1805CCEA4	8	P4C2B1808CCEA4
P3C1B1805NOEA4	1	P3C2B1808NOEA4
P3C1B1805NCEA4	2	P3C2B1808NCEA4
P3C1B1805POEA4	3	P3C2B1808POEA4
P3C1B1805PCEA4	4	P3C2B1808PCEA4
P2C1B1805NOEA4	1	P2C2B1808NOEA4
P2C1B1805NCEA4	2	P2C2B1808NCEA4
P2C1B1805POEA4	3	P2C2B1808POEA4
P2C1B1805PCEA4	4	P2C2B1808PCEA4
P2C1B1805PSEA4	6	P2C2B1808PSEA4
P2C1B1805NSEA4	5	P2C2B1808NSEA4



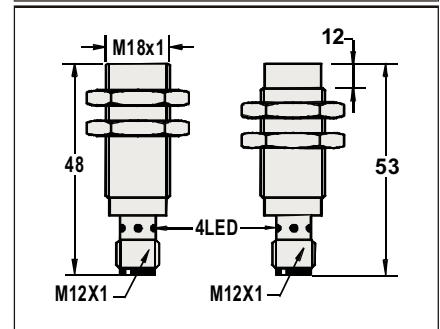
Approx. 94 g	Approx. 91 g
--------------	--------------

M 18	
●	○
5 mm	8 mm
stainless steel or nickel plated brass	
●	



10-30VDC / 5-36VDC / 10-55VDC / 10-60VDC	
<10%	
<10mA	
200mA	
<0.01mA	
<1.5V	
1KHZ	500HZ
0.2ms/0.2ms	0.5ms/0.5ms
<15%(Sr)	
<1.0%(Sr)	
IP 67	
-25 °C - +70 °C	
<10%(Sr)	
YES	
220mA	
PBT	

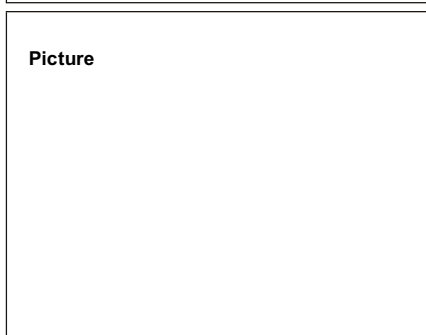
P1C1B1805NOES4	1	P1C2B1808NOES4
P1C1B1805NCES4	2	P1C2B1808NCES4
P1C1B1805POES4	3	P1C2B1808POES4
P1C1B1805PCES4	4	P1C2B1808PCES4
P1C1B1805PSES4	6	P1C2B1808PSES4
P1C1B1805NES4	5	P1C2B1808NES4
P4C1B1805COES4	7	P4C2B1808COES4
P4C1B1805CCES4	8	P4C2B1808CCES4
P3C1B1805NOES4	1	P3C2B1808NOES4
P3C1B1805NCES4	2	P3C2B1808NCES4
P3C1B1805POES4	3	P3C2B1808POES4
P3C1B1805PCES4	4	P3C2B1808PCES4
P2C1B1805NOES4	1	P2C2B1808NOES4
P2C1B1805NCES4	2	P2C2B1808NCES4
P2C1B1805POES4	3	P2C2B1808POES4
P2C1B1805PCES4	4	P2C2B1808PCES4
P2C1B1805PSES4	6	P2C2B1808PSES4
P2C1B1805NES4	5	P2C2B1808NES4



Approx. 50 g	
--------------	--

DC INDUCTIVE PROXIMITY SWITCH

Diameter
● Shielded ○ non-Shielded
Switching Distance, Sn: mm
Housing Material
● With LED ○ Without LED



Operating Voltage
Ripple
No Load Current
Max. Load Current
Leakage Current
Voltage Drop
Switching Frequency
Response Time
Switching Hysteresis
Repeat Accuracy
Protection Category
Operating Temperature
Temperature Drift
Short Circuit Protection
Overload Trip Point
Material Active Face

DC 3 wire 10-30V NPN N.O.
DC 3 wire 10-30V NPN N.C.
DC 3 wire 10-30V PNP N.O.
DC 3 wire 10-30V PNP N.C.
DC 4 wire 10-30V Changeover PNP (N.O. & N.C.)
DC 4 wire 10-30V Changeover NPN (N.O. & N.C.)
DC 2 wire 10-60V N.O. *
DC 2 wire 10-60V N.C. *
DC 3 wire 10-55v NPN N.O.
DC 3 wire 10-55v NPN N.C.
DC 3 wire 10-55v PNP N.O.
DC 3 wire 10-55v PNP N.C.
DC 3 wire 5-36V NPN N.O.
DC 3 wire 5-36V NPN N.C.
DC 3 wire 5-36V PNP N.O.
DC 3 wire 5-36V PNP N.C.
DC 4 wire 5-36V Changeover PNP (N.O. & N.C.)
DC 4 wire 5-36V Changeover NPN (N.O. & N.C.)

Dimensions (unit: mm)
* : DC 2wire 10-60V specifications see page 178. Other is same.

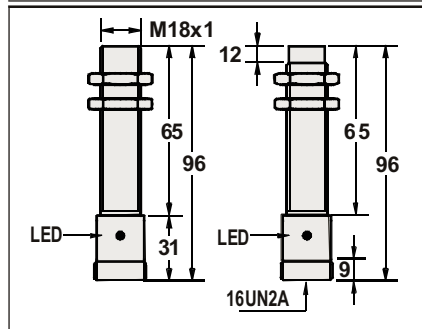
Cable 2M (PVC)
Weight

M 18	
●	○
5 mm	8 mm
stainless steel or nickel plated brass	
●	



10-30VDC / 5-36VDC / 10-55VDC / 10-60VDC	
<10%	
<10mA	
200mA	
<0.01mA	
<1.5V	
1KHZ	500HZ
0.2ms/0.2ms	0.5ms/0.5ms
<15%(Sr)	
<1.0%(Sr)	
IP 67	
-25 °C - +70 °C	
<10%(Sr)	
YES	
220mA	
PBT	

P1C1B1805NOZA4	1	P1C2B1808NOZA4
P1C1B1805NCZA4	2	P1C2B1808NCZA4
P1C1B1805POZA4	3	P1C2B1808POZA4
P1C1B1805PZA4	4	P1C2B1808PZA4
P1C1B1805NSZA4	5	P1C2B1808NSZA4
P4C1B1805COZA4	7	P4C2B1808COZA4
P4C1B1805CCZA4	8	P4C2B1808CCZA4
P3C1B1805NOZA4	1	P3C2B1808NOZA4
P3C1B1805NCZA4	2	P3C2B1808NCZA4
P3C1B1805POZA4	3	P3C2B1808POZA4
P3C1B1805PZA4	4	P3C2B1808PZA4
P2C1B1805NOZA4	1	P2C2B1808NOZA4
P2C1B1805NCZA4	2	P2C2B1808NCZA4
P2C1B1805POZA4	3	P2C2B1808POZA4
P2C1B1805PZA4	4	P2C2B1808PZA4
P2C1B1805PSZA4	6	P2C2B1808PSZA4
P2C1B1805NSZA4	5	P2C2B1808NSZA4



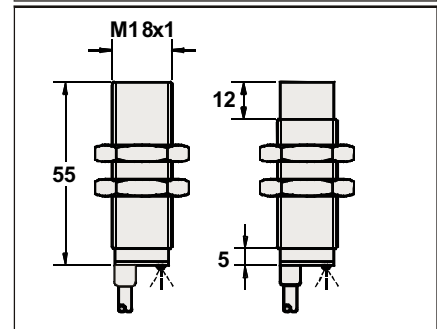
Approx.94g	Approx.91g
------------	------------

M18	
●	○
8 mm	16 mm
stainless steel or nickel plated brass	
●	



10-30VDC / 5-36VDC / 10-55VDC / 10-60VDC	
<10%	
<10mA	
200mA	
<0.01mA	
<2.0V	
500HZ	150HZ
0.5ms/0.5ms	1ms/1ms
<15%(Sr)	
<1.0%(Sr)	
IP67	
-25 °C - +70 °C	
<10%(Sr)	
YES	
220mA	
PBT	

P1C1B1808NO3A2	1	P1C2B1816NO3A2
P1C1B1808NC3A2	2	P1C2B1816NC3A2
P1C1B1808PO3A2	3	P1C2B1816PO3A2
P1C1B1808PC3A2	4	P1C2B1816PC3A2
P1C1B1808PS4A2	5	P1C2B1816PS4A2
P4C1B1808CO2A2	7	P4C2B1816CC2A2
P4C1B1808CC2A2	8	P4C2B1816CC2A2
P3C1B1808NO3A2	1	P3C2B1816NO3A2
P3C1B1808NC3A2	2	P3C2B1816NC3A2
P3C1B1808PO3A2	3	P3C2B1816PO3A2
P3C1B1808PC3A2	4	P3C2B1816PC3A2
P2C1B1808NO3A2	1	P2C2B1816NO3A2
P2C1B1808NC3A2	2	P2C2B1816NC3A2
P2C1B1808PO3A2	3	P2C2B1816PO3A2
P2C1B1808PC3A2	4	P2C2B1816PC3A2
P2C1B1808PS4A2	6	P2C2B1816PS4A2
P2C1B1808NS4A2	5	P2C2B1816NS4A2



5.8φ 3x0.5 or 5.8φ 4x0.5
Approx.153g Approx.144g

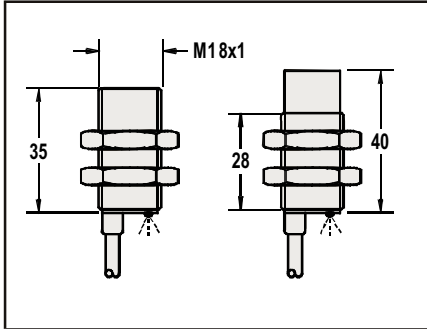
DC INDUCTIVE PROXIMITY SWITCH

M 18	
●	○
8 mm	16 mm
stainless steel or nickel plated brass	
●	



10-30VDC / 5-36VDC / 10-55VDC / 10-60 VDC	
<10%	
<10mA	
200mA	
<0.01mA	
<2.0V	
500HZ	150HZ
0.5ms/0.5ms	1ms/1ms
<15%(Sr)	
<1.0%(Sr)	
IP67	
-25 °C - +70°C	
<10%(Sr)	
YES	
220mA	
PBT	

P1C1B1808NO3S2	1	P1C2B1816NO3S2
P1C1B1808NC3S2	2	P1C2B1816NC3S2
P1C1B1808PO3S2	3	P1C2B1816PO3S2
P1C1B1808PC3S2	4	P1C2B1816PC3S2
P1C1B1808PS4S2	5	P1C2B1816PS4S2
P1C1B1808NS4S2	6	P1C2B1816NS4S2
P4C1B1808CO2S2	7	P4C2B1816CO2S2
P4C1B1808CC2S2	8	P4C2B1816CC2S2
P3C1B1808NO3S2	1	P3C2B1816NO3S2
P3C1B1808NC3S2	2	P3C2B1816NC3S2
P3C1B1808PO3S2	3	P3C2B1816PO3S2
P2C1B1808PC3S2	4	P2C2B1816PC3S2
P2C1B1808NO3S2	1	P2C2B1816NO3S2
P2C1B1808NC3S2	2	P2C2B1816NC3S2
P2C1B1808PO3S2	3	P2C2B1816PO3S2
P2C1B1808PC3S2	4	P2C2B1816PC3S2
P2C1B1808PS4S2	6	P2C2B1816PS4S2
P2C1B1808NS4S2	5	P2C2B1816NS4S2



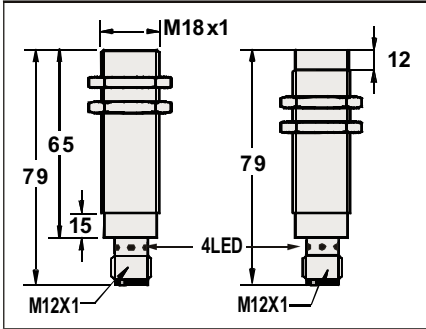
4φ 3x0.34 or 4φ 4x0.34	
Approx. 132 g	Approx. 134 g

M 18	
●	○
8 mm	16 mm
stainless steel or nickel plated brass	
●	



10-30VDC / 5-36VDC / 10-55VDC / 10-60VDC	
<10%	
<10mA	
200mA	
<0.01mA	
<2.0V	
500HZ	150HZ
0.5ms/0.5ms	1ms/1ms
<15%(Sr)	
<1.0%(Sr)	
IP67	
-25 °C - +70°C	
<10%(Sr)	
YES	
220mA	
PBT	

P1C1B1808NOEA4	1	P1C2B1816NOEA4
P1C1B1808NCEA4	2	P1C2B1816NCEA4
P1C1B1808POEA4	3	P1C2B1816POEA4
P1C1B1808PCEA4	4	P1C2B1816PCEA4
P1C1B1808PSEA4	6	P1C2B1816PSEA4
P1C1B1808NSEA4	5	P1C2B1816NSEA4
P4C1B1808COEA4	7	P4C2B1816COEA4
P4C1B1808CCEA4	8	P4C2B1816CCEA4
P3C1B1808NOEA4	1	P3C2B1816NOEA4
P3C1B1808NCEA4	2	P3C2B1816NCEA4
P3C1B1808POEA4	3	P3C2B1816POEA4
P3C1B1808PCEA4	4	P3C2B1816PCEA4
P2C1B1808NOEA4	1	P2C2B1816NOEA4
P2C1B1808NCEA4	2	P2C2B1816NCEA4
P2C1B1808POEA4	3	P2C2B1816POEA4
P2C1B1808PCEA4	4	P2C2B1816PCEA4
P2C1B1808PSEA4	6	P2C2B1816PSEA4
P2C1B1808NSEA4	5	P2C2B1816NSEA4



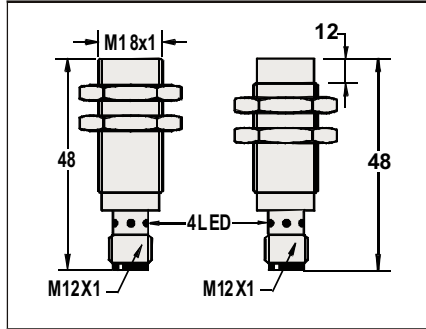
Approx. 94 g	Approx. 91 g
--------------	--------------

M 18	
●	○
8 mm	16 mm
stainless steel or nickel plated brass	
●	



10-30VDC / 5-36VDC / 10-55VDC / 10-60VDC	
<10%	
<10mA	
200mA	
<0.01mA	
<2.0V	
500HZ	150HZ
0.5ms/0.5ms	1ms/1ms
<15%(Sr)	
<1.0%(Sr)	
IP67	
-25 °C - +70°C	
<10%(Sr)	
YES	
220mA	
PBT	

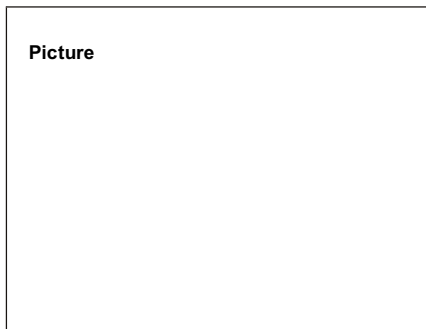
P1C1B1808NOES4	1	P1C2B1816NOES4
P1C1B1808NCES4	2	P1C2B1816NCES4
P1C1B1808POES4	3	P1C2B1816POES4
P1C1B1808PCES4	4	P1C2B1816PCES4
P1C1B1808PSES4	6	P1C2B1816PSES4
P1C1B1808NSES4	5	P1C2B1816NSES4
P4C1B1808COES4	7	P4C2B1816COES4
P4C1B1808CCES4	8	P4C2B1816CCES4
P3C1B1808NOES4	1	P3C2B1816NOES4
P3C1B1808NCES4	2	P3C2B1816NCES4
P3C1B1808POES4	3	P3C2B1816POES4
P3C1B1808PCES4	4	P3C2B1816PCES4
P2C1B1808NOES4	1	P2C2B1816NOES4
P2C1B1808NCES4	2	P2C2B1816NCES4
P2C1B1808POES4	3	P2C2B1816POES4
P2C1B1808PCES4	4	P2C2B1816PCES4
P2C1B1808PSES4	6	P2C2B1816PSES4
P2C1B1808NSES4	5	P2C2B1816NSES4



Approx. 50 g	
--------------	--

DC INDUCTIVE PROXIMITY SWITCH

Diameter
● Shielded ○ non-Shielded
Switching Distance, Sn: mm
Housing Material
● With LED ○ Without LED



Operating Voltage	10-30VDC / 5-36VDC / 10-55VDC / 10-60VDC
Ripple	<10%
No Load Current	<10mA
Max. Load Current	200mA
Leakage Current	<0.01mA
Voltage Drop	<2.0V
Switching Frequency	500HZ 150HZ
Response Time	0.5ms/0.5ms 1ms/1ms
Switching Hysteresis	<15% (Sr)
Repeat Accuracy	<1.0% (Sr)
Protection Category	IP67
Operating Temperature	-25 °C - +70 °C
Temperature Drift	<10% (Sr)
Short Circuit Protection	YES
Overload Trip Point	220mA
Material Active Face	PBT

DC 3 wire 10-30V NPN N.O.	P1C1B 18 08N OZ A4	1	P1C2B 18 16N OZ A4
DC 3 wire 10-30V NPN N.C.	P1C1B 18 08N CZ A4	2	P1C2B 18 16N CZ A4
DC 3 wire 10-30V PNP N.O.	P1C1B 18 08P OZ A4	3	P1C2B 18 16P OZ A4
DC 3 wire 10-30V PNP N.C.	P1C1B 18 08P CZ A4	4	P1C2B 18 16P CZ A4
DC 4 wire 10-30V Changeover PNP (N.O. & N.C.)	P1C1B 18 08P SZ A4	6	P1C2B 18 16P SZ A4
DC 4 wire 10-30V Changeover NPN (N.O. & N.C.)	P1C1B 18 08N SZ A4	5	P1C2B 18 16N SZ A4
DC 2 wire 10-60V N.O. *	P4C1B 18 08C OZ A4	7	P4C2B 18 16C CZ A4
DC 2 wire 10-60V N.C. *	P4C1B 18 08C CZ A4	8	P4C2B 18 16C OZ A4
DC 3 wire 10-55v NPN N.O.	P3C1B 18 08N OZ A4	1	P3C2B 18 16N OZ A4
DC 3 wire 10-55v NPN N.C.	P3C1B 18 08N CZ A4	2	P3C2B 18 16N CZ A4
DC 3 wire 10-55v PNP N.O.	P3C1B 18 08P OZ A4	3	P3C2B 18 16P OZ A4
DC 3 wire 10-55v PNP N.C.	P3C1B 18 08P CZ A4	4	P3C2B 18 16P CZ A4
DC 3 wire 5-36V NPN N.O.	P2C1B 18 08N OZ A4	1	P2C2B 18 16N OZ A4
DC 3 wire 5-36V NPN N.C.	P2C1B 18 08N CZ A4	2	P2C2B 18 16N CZ A4
DC 3 wire 5-36V PNP N.O.	P2C1B 18 08P OZ A4	3	P2C2B 18 16P OZ A4
DC 3 wire 5-36V PNP N.C.	P2C1B 18 08P CZ A4	4	P2C2B 18 16P CZ A4
DC 4 wire 5-36V Changeover PNP (N.O. & N.C.)	P2C1B 18 08P SZ A4	6	P2C2B 18 16P SZ A4
DC 4 wire 5-36V Changeover NPN (N.O. & N.C.)	P2C1B 18 08N SZ A4	5	P2C2B 18 16N SZ A4

Dimensions (unit: mm)
<p>* : DC 2 wire 10-60V specifications see page 178. Other is same.</p>

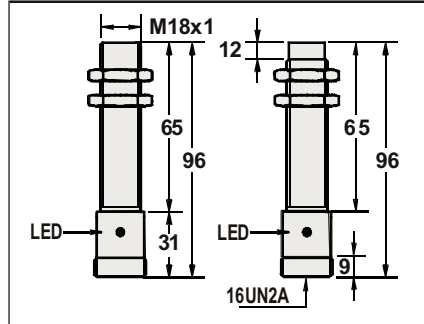
Cable 2M (PVC)
Weight

M 18	
●	○
8 mm	16 mm
stainless steel or nickel plated brass	
●	



Operating Voltage	10-30VDC / 5-36VDC / 10-55VDC / 10-60VDC
Ripple	<10%
No Load Current	<10mA
Max. Load Current	200mA
Leakage Current	<0.01mA
Voltage Drop	<2.0V
Switching Frequency	500HZ 150HZ
Response Time	0.5ms/0.5ms 1ms/1ms
Switching Hysteresis	<15% (Sr)
Repeat Accuracy	<1.0% (Sr)
Protection Category	IP67
Operating Temperature	-25 °C - +70 °C
Temperature Drift	<10% (Sr)
Short Circuit Protection	YES
Overload Trip Point	220mA
Material Active Face	PBT

DC 3 wire 10-30V NPN N.O.	P1C1B 18 08N OZ A4	1	P1C2B 18 16N OZ A4
DC 3 wire 10-30V NPN N.C.	P1C1B 18 08N CZ A4	2	P1C2B 18 16N CZ A4
DC 3 wire 10-30V PNP N.O.	P1C1B 18 08P OZ A4	3	P1C2B 18 16P OZ A4
DC 3 wire 10-30V PNP N.C.	P1C1B 18 08P CZ A4	4	P1C2B 18 16P CZ A4
DC 4 wire 10-30V Changeover PNP (N.O. & N.C.)	P1C1B 18 08P SZ A4	6	P1C2B 18 16P SZ A4
DC 4 wire 10-30V Changeover NPN (N.O. & N.C.)	P1C1B 18 08N SZ A4	5	P1C2B 18 16N SZ A4
DC 2 wire 10-60V N.O. *	P4C1B 18 08C OZ A4	7	P4C2B 18 16C CZ A4
DC 2 wire 10-60V N.C. *	P4C1B 18 08C CZ A4	8	P4C2B 18 16C OZ A4
DC 3 wire 10-55v NPN N.O.	P3C1B 18 08N OZ A4	1	P3C2B 18 16N OZ A4
DC 3 wire 10-55v NPN N.C.	P3C1B 18 08N CZ A4	2	P3C2B 18 16N CZ A4
DC 3 wire 10-55v PNP N.O.	P3C1B 18 08P OZ A4	3	P3C2B 18 16P OZ A4
DC 3 wire 10-55v PNP N.C.	P3C1B 18 08P CZ A4	4	P3C2B 18 16P CZ A4
DC 3 wire 5-36V NPN N.O.	P2C1B 18 08N OZ A4	1	P2C2B 18 16N OZ A4
DC 3 wire 5-36V NPN N.C.	P2C1B 18 08N CZ A4	2	P2C2B 18 16N CZ A4
DC 3 wire 5-36V PNP N.O.	P2C1B 18 08P OZ A4	3	P2C2B 18 16P OZ A4
DC 3 wire 5-36V PNP N.C.	P2C1B 18 08P CZ A4	4	P2C2B 18 16P CZ A4
DC 4 wire 5-36V Changeover PNP (N.O. & N.C.)	P2C1B 18 08P SZ A4	6	P2C2B 18 16P SZ A4
DC 4 wire 5-36V Changeover NPN (N.O. & N.C.)	P2C1B 18 08N SZ A4	5	P2C2B 18 16N SZ A4



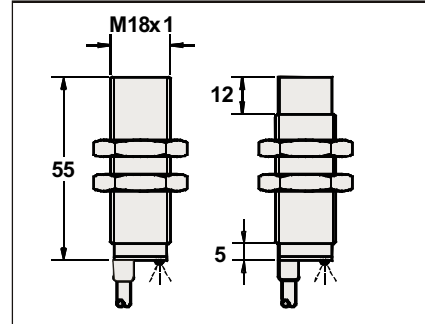
Weight	Approx.94g	Approx.91g
--------	------------	------------

M18	
●	○
12 mm	20 mm
Nickel plated brass	
●	



Operating Voltage	10-30VDC
Ripple	<10%
No Load Current	<10mA
Max. Load Current	200mA
Leakage Current	<0.01mA
Voltage Drop	<2.0V
Switching Frequency	300HZ 100HZ
Response Time	0.5ms/0.5ms 1ms/1ms
Switching Hysteresis	<15% (Sr)
Repeat Accuracy	<1.0% (Sr)
Protection Category	IP67
Operating Temperature	-25 °C - +70 °C
Temperature Drift	<10% (Sr)
Short Circuit Protection	YES
Overload Trip Point	220mA
Material Active Face	PBT

DC 3 wire 10-30V NPN N.O.	P1C1B1812N03A2	1	P1C2B1820N03A2
DC 3 wire 10-30V NPN N.C.	P1C1B1812NC3A2	2	P1C2B1820NC3A2
DC 3 wire 10-30V PNP N.O.	P1C1B1812PO3A2	3	P1C2B1820PO3A2
DC 3 wire 10-30V PNP N.C.	P1C1B1812PC3A2	4	P1C2B1820PC3A2



Weight	Approx.153g	Approx.144g
--------	-------------	-------------

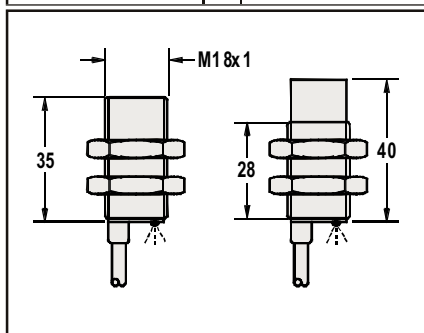
DC INDUCTIVE PROXIMITY SWITCH

M 18	
●	○
12 mm	20 mm
Nickel plated brass	
●	



10-30VDC
<10%
<10mA
200mA
<0.01mA
<2.0V
300HZ
100HZ
0.5ms/0.5ms
1ms/1ms
<15%(Sr)
<1.0%(Sr)
IP67
-25 °C - +70 °C
<10%(Sr)
YES
220mA
PBT

P1C1B1812N03S2	1	P1C2B1820N03S2
P1C1B1812NC3S2	2	P1C2B1820NC3S2
P1C1B1812PC3S2	3	P1C2B1820PC3S2
P1C1B1812PC3S2	4	P1C2B1820PC3S2



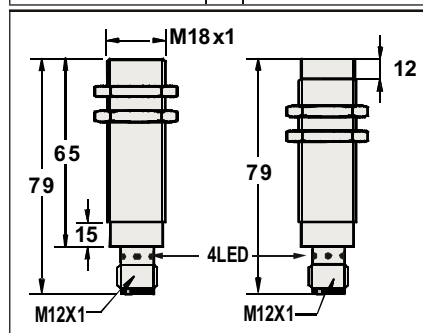
4φ 3x0.34	
Approx.132 g	Approx.134 g

M 18	
●	○
12 mm	20 mm
Nickel plated brass	
●	



10-30VDC
<10%
<10mA
200mA
<0.01mA
<2.0V
300HZ
100HZ
0.5ms/0.5ms
1ms/1ms
<15%(Sr)
<1.0%(Sr)
IP67
-25 °C - +70 °C
<10%(Sr)
YES
220mA
PBT

P1C1B1812NOEA4	1	P1C2B1820NOEA4
P1C1B1812NCEA4	2	P1C2B1820NCEA4
P1C1B1812POEA4	3	P1C2B1820POEA4
P1C1B1812PCEA4	4	P1C2B1820PCEA4



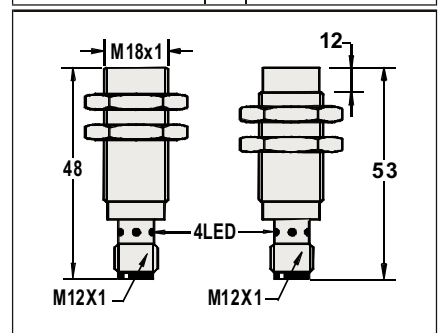
Approx.94 g	Approx.91 g
-------------	-------------

M 18	
●	○
12 mm	20 mm
Nickel plated brass	
●	



10-30VDC
<10%
<10mA
200mA
<0.01mA
<2.0V
300HZ
100HZ
0.5ms/0.5ms
1ms/1ms
<15%(Sr)
<1.0%(Sr)
IP67
-25 °C - +70 °C
<10%(Sr)
YES
220mA
PBT

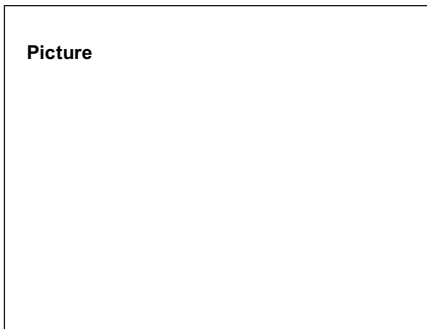
P1C1B1812NOES4	1	P1C2B1820NOES4
P1C1B1812NCES4	2	P1C2B1820NCES4
P1C1B1812PCES4	3	P1C2B1820PCES4
P1C1B1812PCES4	4	P1C2B1820PCES4



Approx.50 g

DC INDUCTIVE PROXIMITY SWITCH

Diameter
● Shielded ○ non-Shielded
Switching Distance, Sn: mm
Housing Material
● With LED ○ Without LED



Operating Voltage	10-30VDC
Ripple	<10%
No Load Current	<10mA
Max. Load Current	200mA
Leakage Current	<0.01mA
Voltage Drop	<2.0V
Switching Frequency	300HZ 100HZ
Response Time	0.5ms/0.5ms 1ms/1ms
Switching Hysteresis	<15%(Sr)
Repeat Accuracy	<1.0%(Sr)
Protection Category	IP67
Operating Temperature	-25 °C - +70 °C
Temperature Drift	<10%(Sr)
Short Circuit Protection	YES
Overload Trip Point	220mA
Material Active Face	PBT

DC 3 wire 10-30V NPN N.O.	P1C1B1812N OZA4	1	P1C2B1820N OZA4
DC 3 wire 10-30V NPN N.C.	P1C1B1812N CZA4	2	P1C2B1820N CZA4
DC 3 wire 10-30V PNP N.O.	P1C1B1812P OZA4	3	P1C2B1820P OZA4
DC 3 wire 10-30V PNP N.C.	P1C1B1812P CZA4	4	P1C2B1820P CZA4
DC 4 wire 10-30V Changeover PNP (N.O. & N.C.)			
DC 4 wire 10-30V Changeover NPN (N.O. & N.C.)			
DC 2 wire 10-60V N.O. *			
DC 2 wire 10-60V N.C. *			
DC 3 wire 10-55V NPN N.O.			
DC 3 wire 10-55V NPN N.C.			
DC 3 wire 10-55V PNP N.O.			
DC 3 wire 10-55V PNP N.C.			
DC 3 wire 5-36V NPN N.O.			
DC 3 wire 5-36V NPN N.C.			
DC 3 wire 5-36V PNP N.O.			
DC 3 wire 5-36V PNP N.C.			
DC 4 wire 5-36V Changeover PNP (N.O. & N.C.)			
DC 4 wire 5-36V Changeover NPN (N.O. & N.C.)			

Dimensions (unit: mm)
* : DC 2 wire 10-60V specifications see page 178. Other is same.

Cable 2M (PVC)	Approx.94g	Approx.91g
Weight		

M 18	
●	○
12 mm	20 mm
Nickel plated brass	
●	



Operating Voltage	10-30VDC
Ripple	<10%
No Load Current	<10mA
Max. Load Current	200mA
Leakage Current	<0.01mA
Voltage Drop	<2.0V
Switching Frequency	300HZ 100HZ
Response Time	0.5ms/0.5ms 1ms/1ms
Switching Hysteresis	<15%(Sr)
Repeat Accuracy	<1.0%(Sr)
Protection Category	IP67
Operating Temperature	-25 °C - +70 °C
Temperature Drift	<10%(Sr)
Short Circuit Protection	YES
Overload Trip Point	220mA
Material Active Face	PBT

DC 3 wire 10-30V NPN N.O.	P1C1B3010N O3A2	1	P1C2B3015N O3A2
DC 3 wire 10-30V NPN N.C.	P1C1B3010N C3A2	2	P1C2B3015N C3A2
DC 3 wire 10-30V PNP N.O.	P1C1B3010P O3A2	3	P1C2B3015P O3A2
DC 3 wire 10-30V PNP N.C.	P1C1B3010P C3A2	4	P1C2B3015P C3A2
DC 4 wire 10-30V Changeover PNP (N.O. & N.C.)	P1C1B3010PS4A2	5	P1C2B3015PS4A2
DC 4 wire 10-30V Changeover NPN (N.O. & N.C.)	P1C1B3010NS4A2	6	P1C2B3015NS4A2
DC 2 wire 10-60V N.O. *	P4C1B3010CO2A2	7	P4C2B3015CO2A2
DC 2 wire 10-60V N.C. *	P4C1B3010CC2A2	8	P4C2B3015CC2A2
DC 3 wire 10-55V NPN N.O.	P3C1B3010NO3A2	1	P3C2B3015NO3A2
DC 3 wire 10-55V NPN N.C.	P3C1B3010NC3A2	2	P3C2B3015NC3A2
DC 3 wire 10-55V PNP N.O.	P3C1B3010PO3A2	3	P3C2B3015PO3A2
DC 3 wire 10-55V PNP N.C.	P3C1B3010PC3A2	4	P3C2B3015PC3A2
DC 3 wire 5-36V NPN N.O.	P2C1B3010NO3A2	1	P2C2B3015NO3A2
DC 3 wire 5-36V NPN N.C.	P2C1B3010NC3A2	2	P2C2B3015NC3A2
DC 3 wire 5-36V PNP N.O.	P2C1B3010PO3A2	3	P2C2B3015PO3A2
DC 3 wire 5-36V PNP N.C.	P2C1B3010PC3A2	4	P2C2B3015PC3A2
DC 4 wire 5-36V Changeover PNP (N.O. & N.C.)	P2C1B3010PS4A2	6	P2C2B3015PS4A2
DC 4 wire 5-36V Changeover NPN (N.O. & N.C.)	P2C1B3010NS4A2	5	P2C2B3015NS4A2

Dimensions (unit: mm)

Cable 2M (PVC)	Approx.217g	Approx.207g
Weight		

M 30	
●	○
10 mm	15 mm
stainless steel or nickel plated brass	
●	



Operating Voltage	10-30VDC / 5-36VDC / 10-55VDC / 10-60VDC
Ripple	<10%
No Load Current	<10mA
Max. Load Current	200mA
Leakage Current	<0.01mA
Voltage Drop	<1.5V
Switching Frequency	300HZ 150HZ
Response Time	0.5ms/0.5ms 1ms/1ms
Switching Hysteresis	<15%(Sr)
Repeat Accuracy	<1.0%(Sr)
Protection Category	IP67
Operating Temperature	-25 °C - +70 °C
Temperature Drift	<10%(Sr)
Short Circuit Protection	YES
Overload Trip Point	220mA
Material Active Face	PBT

DC 3 wire 10-30V NPN N.O.	P1C1B3010N O3A2	1	P1C2B3015N O3A2
DC 3 wire 10-30V NPN N.C.	P1C1B3010N C3A2	2	P1C2B3015N C3A2
DC 3 wire 10-30V PNP N.O.	P1C1B3010P O3A2	3	P1C2B3015P O3A2
DC 3 wire 10-30V PNP N.C.	P1C1B3010P C3A2	4	P1C2B3015P C3A2
DC 4 wire 10-30V Changeover PNP (N.O. & N.C.)	P1C1B3010PS4A2	5	P1C2B3015PS4A2
DC 4 wire 10-30V Changeover NPN (N.O. & N.C.)	P1C1B3010NS4A2	6	P1C2B3015NS4A2
DC 2 wire 10-60V N.O. *	P4C1B3010CO2A2	7	P4C2B3015CO2A2
DC 2 wire 10-60V N.C. *	P4C1B3010CC2A2	8	P4C2B3015CC2A2
DC 3 wire 10-55V NPN N.O.	P3C1B3010NO3A2	1	P3C2B3015NO3A2
DC 3 wire 10-55V NPN N.C.	P3C1B3010NC3A2	2	P3C2B3015NC3A2
DC 3 wire 10-55V PNP N.O.	P3C1B3010PO3A2	3	P3C2B3015PO3A2
DC 3 wire 10-55V PNP N.C.	P3C1B3010PC3A2	4	P3C2B3015PC3A2
DC 3 wire 5-36V NPN N.O.	P2C1B3010NO3A2	1	P2C2B3015NO3A2
DC 3 wire 5-36V NPN N.C.	P2C1B3010NC3A2	2	P2C2B3015NC3A2
DC 3 wire 5-36V PNP N.O.	P2C1B3010PO3A2	3	P2C2B3015PO3A2
DC 3 wire 5-36V PNP N.C.	P2C1B3010PC3A2	4	P2C2B3015PC3A2
DC 4 wire 5-36V Changeover PNP (N.O. & N.C.)	P2C1B3010PS4A2	6	P2C2B3015PS4A2
DC 4 wire 5-36V Changeover NPN (N.O. & N.C.)	P2C1B3010NS4A2	5	P2C2B3015NS4A2

Dimensions (unit: mm)

Cable 2M (PVC)	Approx.217g	Approx.207g
Weight		