

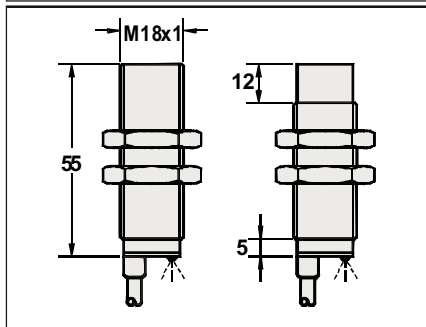
DC METAL FACE INDUCTIVE PROXIMITY SWITCH

M 18	
●	○
5 mm	8 mm
stainless steel	
●	



10-30VDC / 5-36VDC / 10-55VDC / 10-60VDC	
<10%	
<10mA	
200mA	
<0.01mA	
<1.5V	
1KHZ	500HZ
0.2ms/0.2ms	0.5ms/0.5ms
<15%(Sr)	
<1.0%(Sr)	
IP67	
-25°C - +70°C	
<10%(Sr)	
YES	
220mA	
Stainless steel	

P1C1F1805NO3A2	1	P1C2F1808NO3A2
P1C1F1805NC3A2	2	P1C2F1808NC3A2
P1C1F1805PO3A2	3	P1C2F1808PO3A2
P1C1F1805PC3A2	4	P1C2F1808PC3A2
P1C1F1805PS4A2	6	P1C2F1808PS4A2
P1C1F1805NS4A2	5	P1C2F1808NS4A2
P4C1F1805CO2A2	7	P4C2F1808CO2A2
P4C1F1805CC2A2	8	P4C2F1808CC2A2
P3C1F1805NO3A2	1	P3C2F1808NO3A2
P3C1F1805NC3A2	2	P3C2F1808NC3A2
P3C1F1805PO3A2	3	P3C2F1808PO3A2
P3C1F1805PC3A2	4	P3C2F1808PC3A2
P2C1F1805NO3A2	1	P2C2F1808NO3A2
P2C1F1805NC3A2	2	P2C2F1808NC3A2
P2C1F1805PO3A2	3	P2C2F1808PO3A2
P2C1F1805PC3A2	4	P2C2F1808PC3A2
P2C1F1805PS4A2	6	P2C2F1808PS4A2
P2C1F1805NS4A2	5	P2C2F1808NS4A2



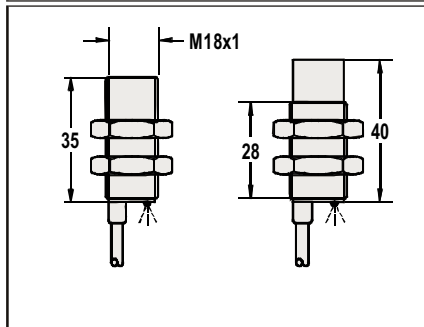
4 ∅3x0.34 or 4 ∅4x0.34	approx.153 g
	approx.144 g

M 18	
●	○
5 mm	8 mm
stainless steel	
●	



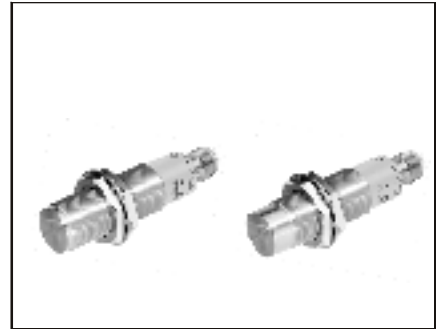
10-30VDC / 5-36VDC / 10-55VDC / 10-60VDC	
<10%	
<10mA	
200mA	
<0.01mA	
<1.5V	
1KHZ	500HZ
0.2ms/0.2ms	0.5ms/0.5ms
<15%(Sr)	
<1.0%(Sr)	
IP67	
-25°C - +70°C	
<10%(Sr)	
YES	
220mA	
Stainless steel	

P1C1F1805NO3S2	1	P1C2F1808NO3S2
P1C1F1805NC3S2	2	P1C2F1808NC3S2
P1C1F1805PO3S2	3	P1C2F1808PO3S2
P1C1F1805PC3S2	4	P1C2F1808PC3S2
P1C1F1805PS4S2	6	P1C2F1808PS4S2
P1C1F1805NS4S2	5	P1C2F1808NS4S2
P4C1F1805CO2S2	7	P4C2F1808CO2S2
P4C1F1805CC2S2	8	P4C2F1808CC2S2
P3C1F1805NO3S2	1	P3C2F1808NO3S2
P3C1F1805NC3S2	2	P3C2F1808NC3S2
P3C1F1805PO3S2	3	P3C2F1808PO3S2
P3C1F1805PC3S2	4	P3C2F1808PC3S2
P2C1F1805NO3S2	1	P2C2F1808NO3S2
P2C1F1805NC3S2	2	P2C2F1808NC3S2
P2C1F1805PO3S2	3	P2C2F1808PO3S2
P2C1F1805PC3S2	4	P2C2F1808PC3S2
P2C1F1805PS4S2	6	P2C2F1808PS4S2
P2C1F1805NS4S2	5	P2C2F1808NS4S2



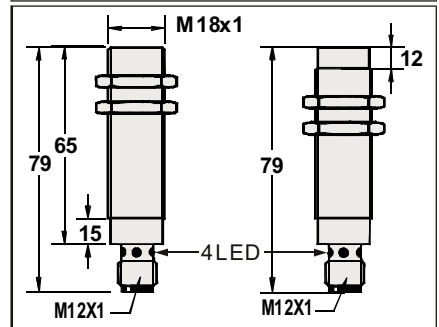
4 ∅3x0.34 or 4 ∅4x0.34	Approx.132 g
	Approx.134 g

M 18	
●	○
5 mm	8 mm
stainless steel	
●	



10-30VDC / 5-36VDC / 10-55VDC / 10-60VDC	
<10%	
<10mA	
200mA	
<0.01mA	
<1.5V	
1KHZ	500HZ
0.2ms/0.2ms	0.5ms/0.5ms
<15%(Sr)	
<1.0%(Sr)	
IP67	
-25°C - +70°C	
<10%(Sr)	
YES	
220mA	
Stainless steel	

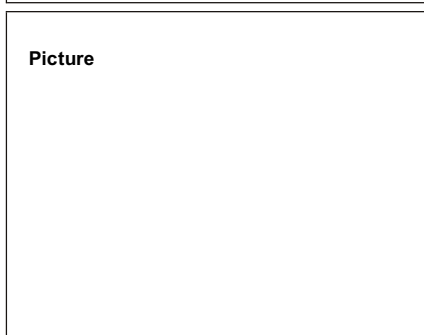
P1C1F1805NOEA4	1	P1C2F1808NOEA4
P1C1F1805NCEA4	2	P1C2F1808NCEA4
P1C1F1805POEA4	3	P1C2F1808POEA4
P1C1F1805PCEA4	4	P1C2F1808PCEA4
P1C1F1805PSEA4	6	P1C2F1808PSEA4
P1C1F1805NSEA4	5	P1C2F1808NSEA4
P4C1F1805COEA4	7	P4C2F1808COEA4
P4C1F1805CCEA4	8	P4C2F1808CCEA4
P3C1F1805NOEA4	1	P3C2F1808NOEA4
P3C1F1805NCEA4	2	P3C2F1808NCEA4
P3C1F1805POEA4	3	P3C2F1808POEA4
P3C1F1805PCEA4	4	P3C2F1808PCEA4
P2C1F1805NOEA4	1	P2C2F1808NOEA4
P2C1F1805NCEA4	2	P2C2F1808NCEA4
P2C1F1805POEA4	3	P2C2F1808POEA4
P2C1F1805PCEA4	4	P2C2F1808PCEA4
P2C1F1805PSEA4	6	P2C2F1808PSEA4
P2C1F1805NSEA4	5	P2C2F1808NSEA4



approx.94 g	approx.91 g
-------------	-------------

DC METAL FACE INDUCTIVE PROXIMITY SWITCH

Diameter
● Shielded ○ non-Shielded
Switching Distance, Sn: mm
Housing Material
● With LED ○ Without LED



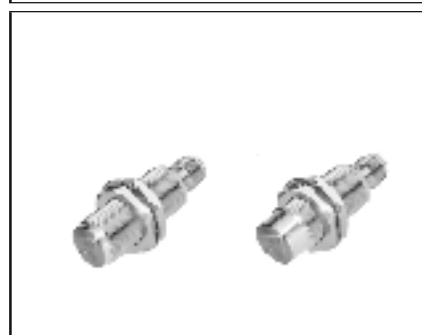
Operating Voltage
Ripple
No Load Current
Max. Load Current
Leakge Current
Voltage Drop
Switching Frequency
Response Time
Switching Hysteresis
Repeat Accuracy
Protection Category
Operating Temperature
Temperature Drift
Short Circuit Protection
Overload Trip Point
Material Active Face

DC 3 wire 10-30V NPN N.O.
DC 3 wire 10-30V NPN N.C.
DC 3 wire 10-30V PNP N.O.
DC 3 wire 10-30V PNP N.C.
DC 4 wire 10-30V Changeover PNP (N.O. & N.C.)
DC 4 wire 10-30V Changeover NPN (N.O. & N.C.)
DC 2 wire 10-60V N.O. *
DC 2 wire 10-60V N.C. *
DC 3 wire 10-55v NPN N.O.
DC 3 wire 10-55v NPN N.C.
DC 3 wire 10-55v PNP N.O.
DC 3 wire 10-55v PNP N.C.
DC 3 wire 5-36v NPN N.O.
DC 3 wire 5-36v NPN N.C.
DC 3 wire 5-36v PNP N.O.
DC 3 wire 5-36v PNP N.C.
AC/DC 4 wire 5-36v Changeover PNP (N.O. & N.C.)
AC/DC 4 wire 5-36v Changeover NPN (N.O. & N.C.)

Dimensions (unit: mm)
* : DC 2wire 10-60V specifications see page 178. Other is same.

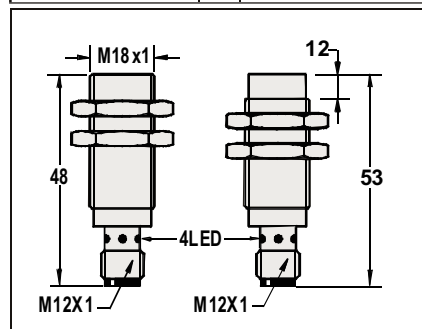
Cable 2M (PVC)
Weight

M 18	
●	○
5 mm	8 mm
stainless steel	
●	



10-30VDC / 5-36VDC / 10-55VDC / 10-60VDC	
<10%	
<10mA	
200mA	
<0.01mA	
<1.5V	
1KHZ	500HZ
0.2ms/0.2ms	0.5ms/0.5ms
<15%(Sr)	
<1.0%(Sr)	
IP67	
-25°C ~ +70°C	
<10%(Sr)	
YES	
220mA	
Stainless steel	

P1C1F1805NOES4	1	P1C2F1808NOES4
P1C1F1805NCES4	2	P1C2F1808NCES4
P1C1F1805POES4	3	P1C2F1808POES4
P1C1F1805PCES4	4	P1C2F1808PCES4
P1C1F1805PSES4	6	P1C2F1808PSES4
P1C1F1805NSES4	5	P1C2F1808NSES4
P4C1F1805COES4	7	P4C2F1808COES4
P4C1F1805CCES4	8	P4C2F1808CCES4
P3C1F1805NOES4	1	P3C2F1808NOES4
P3C1F1805NCES4	2	P3C2F1808NCES4
P3C1F1805POES4	3	P3C2F1808POES4
P3C1F1805PCES4	4	P3C2F1808PCES4
P2C1F1805NOES4	1	P2C2F1808NOES4
P2C1F1805NCES4	2	P2C2F1808NCES4
P2C1F1805POES4	3	P2C2F1808POES4
P2C1F1805PCES4	4	P2C2F1808PCES4
P2C1F1805PSES4	6	P2C2F1808PSES4
P2C1F1805NSES4	5	P2C2F1808NSES4



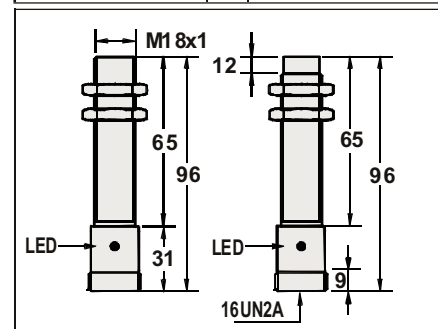
Approx. 50 g

M 18	
●	○
5 mm	8 mm
stainless steel	
●	



10-30VDC / 5-36VDC / 10-55VDC / 10-60VDC	
<10%	
<10mA	
200mA	
<0.01mA	
<1.5V	
1KHZ	500HZ
0.2ms/0.2ms	0.5ms/0.5ms
<15%(Sr)	
<1.0%(Sr)	
IP67	
-25°C ~ +70°C	
<10%(Sr)	
YES	
220mA	
Stainless steel	

P1C1F1805NOZA4	1	P1C2F1808NOZA4
P1C1F1805NCZA4	2	P1C2F1808NCZA4
P1C1F1805POZA4	3	P1C2F1808POZA4
P1C1F1805PCZA4	4	P1C2F1808PCZA4
P1C1F1805PSZA4	6	P1C2F1808PSZA4
P1C1F1805NSZA4	5	P1C2F1808NSZA4
P4C1F1805COZA4	7	P4C2F1808COZA4
P4C1F1805CCZA4	8	P4C2F1808CCZA4
P3C1F1805NOZA4	1	P3C2F1808NOZA4
P3C1F1805NCZA4	2	P3C2F1808NCZA4
P3C1F1805POZA4	3	P3C2F1808POZA4
P3C1F1805PCZA4	4	P3C2F1808PCZA4
P2C1F1805NOZA4	1	P2C2F1808NOZA4
P2C1F1805NCZA4	2	P2C2F1808NCZA4
P2C1F1805POZA4	3	P2C2F1808POZA4
P2C1F1805PCZA4	4	P2C2F1808PCZA4
P2C1F1805PSZA4	6	P2C2F1808PSZA4
P2C1F1805NSZA4	5	P2C2F1808NSZA4



Approx. 94 g	Approx. 91 g
--------------	--------------

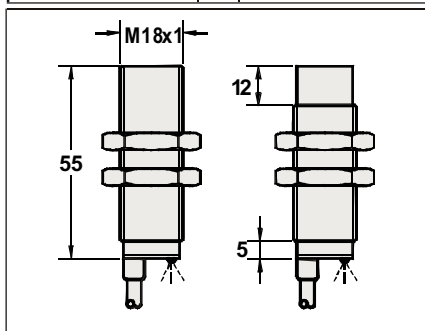
DC METAL FACE INDUCTIVE PROXIMITY SWITCH

M 18	
●	○
8 mm	16 mm
stainless steel	
●	



10-30VDC	
<10%	
<10mA	
20mA	
<0.01mA	
<1.5V	
500HZ	150HZ
0.5ms/0.5ms	1ms/1ms
<15%(Sr)	
<1.0%(Sr)	
IP67	
-25°C - +70°C	
<10%(Sr)	
YES	
220mA	
Stainless steel	

P1C1F1808NO3A2	1	P1C2F1816NO3A2
P1C1F1808NC3A2	2	P1C2F1816NC3A2
P1C1F1808PO3A2	3	P1C2F1816PO3A2
P1C1F1808PC3A2	4	P1C2F1816PC3A2



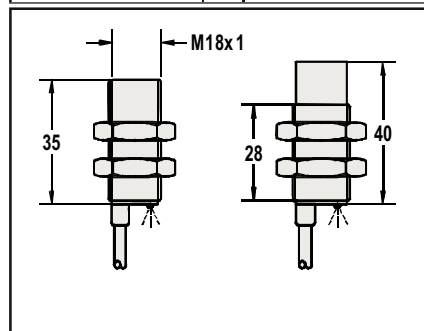
4 ∅ 3x0.34	
approx.153 g	approx.144 g

M 18	
●	○
8mm	16 mm
stainless steel	
●	



10-30VDC	
<10%	
<10mA	
20mA	
<0.01mA	
<1.5V	
500HZ	150HZ
0.5ms/0.5ms	1ms/1ms
<15%(Sr)	
<1.0%(Sr)	
IP67	
-25°C - +70°C	
<10%(Sr)	
YES	
220mA	
Stainless steel	

P1C1F1808NO3S2	1	P1C2F1816NO3S2
P1C1F1808NC3S2	2	P1C2F1816NC3S2
P1C1F1808PO3S2	3	P1C2F1816PO3S2
P1C1F1808PC3S2	4	P1C2F1816PC3S2



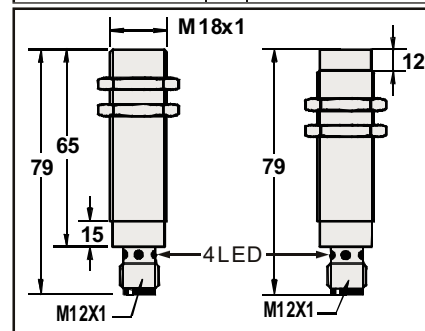
4 ∅ 3x0.34	
Approx.132 g	Approx.134 g

M 18	
●	○
8 mm	16 mm
stainless steel	
●	



10-30VDC	
<10%	
<10mA	
20mA	
<0.01mA	
<1.5V	
500HZ	150HZ
0.5ms/0.5ms	1ms/1ms
<15%(Sr)	
<1.0%(Sr)	
IP67	
-25°C - +70°C	
<10%(Sr)	
YES	
220mA	
Stainless steel	

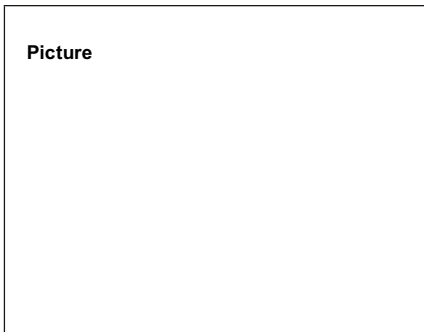
P1C1F1808NOEA4	1	P1C2F1816NOEA4
P1C1F1808NCEA4	2	P1C2F1816NCEA4
P1C1F1808POEA4	3	P1C2F1816POEA4
P1C1F1808PCEA4	4	P1C2F1816PCEA4



4 ∅ 3x0.34	
approx.94 g	approx.91 g

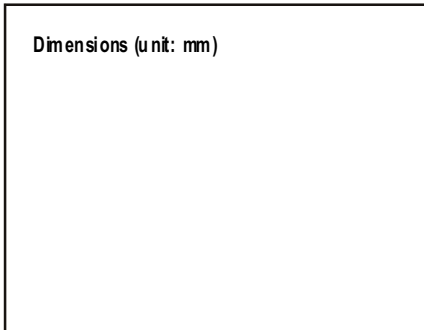
DC METAL FACE INDUCTIVE PROXIMITY SWITCH

Diameter
● Shielded ○ non-Shielded
Switching Distance, Sn: mm
Housing Material
● With LED ○ Without LED



Operating Voltage	10-30VDC
Ripple	<10%
No Load Current	<10mA
Max. Load Current	200mA
Leakge Current	<0.01mA
Voltage Drop	<1.5V
Switching Frequency	500HZ 150HZ
Response Time	0.5ms/0.5ms 1ms/1ms
Switching Hysteresis	<15%(Sr)
Repeat Accuracy	<1.0%(Sr)
Protection Category	IP67
Operating Temperature	-25°C -+70°C
Temperature Drift	<10%(Sr)
Short Circuit Protection	YES
Overload Trip Point	220mA
Material Active Face	Stainless steel

DC 3 wire 10-30V NPN N.O.	P1C1F1808NOES4	1	P1C2F1816NOES4
DC 3 wire 10-30V NPN N.C.	P1C1F1808NCES4	2	P1C2F1816NCES4
DC 3 wire 10-30V PNP N.O.	P1C1F1808POES4	3	P1C2F1816POES4
DC 3 wire 10-30V PNP N.C.	P1C1F1808PCES4	4	P1C2F1816PCES4
DC 4 wire 10-30V Changeover PNP (N.O. & N.C.)			
DC 4 wire 10-30V Changeover NPN (N.O. & N.C.)			
DC 2 wire 10-60V N.O.			
DC 2 wire 10-60V N.C.			
DC 3 wire 10-55v NPN N.O.			
DC 3 wire 10-55v NPN N.C.			
DC 3 wire 10-55v PNP N.O.			
DC 3 wire 10-55v PNP N.C.			
DC 3 wire 5-36v NPN N.O.			
DC 3 wire 5-36v NPN N.C.			
DC 3 wire 5-36v PNP N.O.			
DC 3 wire 5-36v PNP N.C.			
AC/DC 4 wire 5-36v Changeover PNP (N.O. & N.C.)			
AC/DC 4 wire 5-36v Changeover NPN (N.O. & N.C.)			



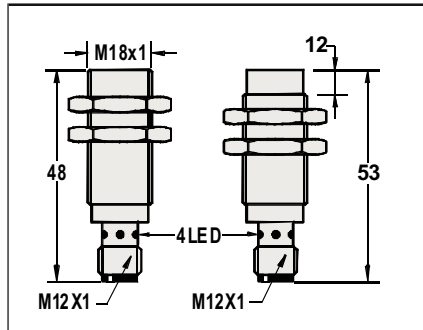
Cable 2M (PVC)
Weight

M 18	
●	○
8 mm	16 mm
stainless steel	
●	



Operating Voltage	10-30VDC
Ripple	<10%
No Load Current	<10mA
Max. Load Current	200mA
Leakge Current	<0.01mA
Voltage Drop	<1.5V
Switching Frequency	500HZ 150HZ
Response Time	0.5ms/0.5ms 1ms/1ms
Switching Hysteresis	<15%(Sr)
Repeat Accuracy	<1.0%(Sr)
Protection Category	IP67
Operating Temperature	-25°C -+70°C
Temperature Drift	<10%(Sr)
Short Circuit Protection	YES
Overload Trip Point	220mA
Material Active Face	Stainless steel

DC 3 wire 10-30V NPN N.O.	P1C1F1808NOES4	1	P1C2F1816NOES4
DC 3 wire 10-30V NPN N.C.	P1C1F1808NCES4	2	P1C2F1816NCES4
DC 3 wire 10-30V PNP N.O.	P1C1F1808POES4	3	P1C2F1816POES4
DC 3 wire 10-30V PNP N.C.	P1C1F1808PCES4	4	P1C2F1816PCES4
DC 4 wire 10-30V Changeover PNP (N.O. & N.C.)			
DC 4 wire 10-30V Changeover NPN (N.O. & N.C.)			
DC 2 wire 10-60V N.O.			
DC 2 wire 10-60V N.C.			
DC 3 wire 10-55v NPN N.O.			
DC 3 wire 10-55v NPN N.C.			
DC 3 wire 10-55v PNP N.O.			
DC 3 wire 10-55v PNP N.C.			
DC 3 wire 5-36v NPN N.O.			
DC 3 wire 5-36v NPN N.C.			
DC 3 wire 5-36v PNP N.O.			
DC 3 wire 5-36v PNP N.C.			
AC/DC 4 wire 5-36v Changeover PNP (N.O. & N.C.)			
AC/DC 4 wire 5-36v Changeover NPN (N.O. & N.C.)			



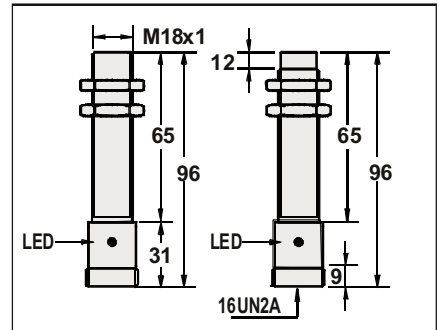
Weight	Approx.50g
--------	------------

M 18	
●	○
8 mm	16 mm
stainless steel	
●	



Operating Voltage	10-30VDC
Ripple	<10%
No Load Current	<10mA
Max. Load Current	200mA
Leakge Current	<0.01mA
Voltage Drop	<1.5V
Switching Frequency	500HZ 150HZ
Response Time	0.5ms/0.5ms 1ms/1ms
Switching Hysteresis	<15%(Sr)
Repeat Accuracy	<1.0%(Sr)
Protection Category	IP67
Operating Temperature	-25°C -+70°C
Temperature Drift	<10%(Sr)
Short Circuit Protection	YES
Overload Trip Point	220mA
Material Active Face	Stainless steel

DC 3 wire 10-30V NPN N.O.	P1C1F1808NOZA4	1	P1C2F1816NOZA4
DC 3 wire 10-30V NPN N.C.	P1C1F1808NCZA4	2	P1C2F1816NCZA4
DC 3 wire 10-30V PNP N.O.	P1C1F1808POZA4	3	P1C2F1816POZA4
DC 3 wire 10-30V PNP N.C.	P1C1F1808PCZA4	4	P1C2F1816PCZA4
DC 4 wire 10-30V Changeover PNP (N.O. & N.C.)			
DC 4 wire 10-30V Changeover NPN (N.O. & N.C.)			
DC 2 wire 10-60V N.O.			
DC 2 wire 10-60V N.C.			
DC 3 wire 10-55v NPN N.O.			
DC 3 wire 10-55v NPN N.C.			
DC 3 wire 10-55v PNP N.O.			
DC 3 wire 10-55v PNP N.C.			
DC 3 wire 5-36v NPN N.O.			
DC 3 wire 5-36v NPN N.C.			
DC 3 wire 5-36v PNP N.O.			
DC 3 wire 5-36v PNP N.C.			
AC/DC 4 wire 5-36v Changeover PNP (N.O. & N.C.)			
AC/DC 4 wire 5-36v Changeover NPN (N.O. & N.C.)			



Weight	Approx.94g	Approx.91g
--------	------------	------------

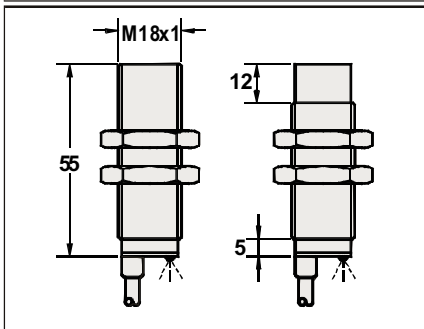
DC METAL FACE INDUCTIVE PROXIMITY SWITCH

M 18	
●	○
12 mm	20 mm
stainless steel	
●	



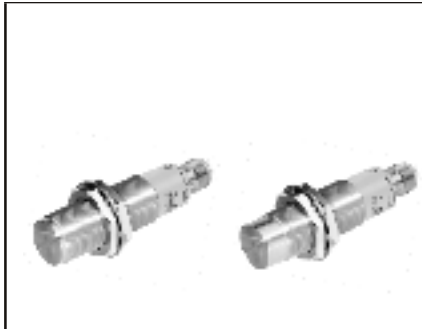
10-30VDC	
<10%	
<10mA	
200mA	
<0.01mA	
<1.5V	
300HZ	100HZ
0.5ms/0.5ms	1ms/1ms
<15%(Sr)	
<1.0%(Sr)	
IP67	
-25°C - +70°C	
<10%(Sr)	
YES	
220mA	
Stainless steel	

P1C1F1812NO3A2	1	P1C2F1820NO3A2
P1C1F1812NC3A2	2	P1C2F1820NC3A2
P1C1F1812PO3A2	3	P1C2F1820PO3A2
P1C1F1812PC3A2	4	P1C2F1820PC3A2



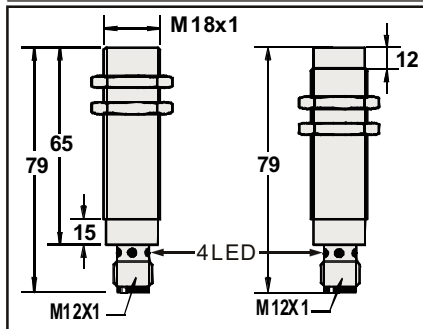
4 ∅ 3x0.34	
approx.153 g	approx.144 g

M 18	
●	○
12 mm	20 mm
stainless steel	
●	



10-30VDC	
<10%	
<10mA	
200mA	
<0.01mA	
<2.0V	
300HZ	100HZ
0.5ms/0.5ms	1ms/1ms
<15%(Sr)	
<1.0%(Sr)	
IP67	
-25°C - +70°C	
<10%(Sr)	
YES	
220mA	
Stain less steel	

P1C1F1812NOEA4	1	P1C2F1820NOEA4
P1C1F1812NCEA4	2	P1C2F1820NCEA4
P1C1F1812POEA4	3	P1C2F1820POEA4
P1C1F1812PCEA4	4	P1C2F1820PCEA4



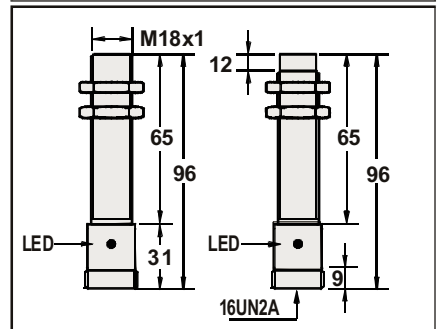
approx.94 g	approx.91 g
-------------	-------------

M 18	
●	○
12 mm	20 mm
stainless steel	
●	



10-30VDC	
<10%	
<10mA	
200mA	
<0.01mA	
<1.5V	
300HZ	100HZ
0.5ms/0.5ms	1ms/1ms
<15%(Sr)	
<1.0%(Sr)	
IP67	
-25°C - +70°C	
<10%(Sr)	
YES	
220mA	
Stainless steel	

P1C1F1812NOZA4	1	P1C2F1820NOZA4
P1C1F1812NCZA4	2	P1C2F1820NCZA4
P1C1F1812POZA4	3	P1C2F1820POZA4
P1C1F1812PCZA4	4	P1C2F1820PCZA4



Approx.94 g	Approx.91 g
-------------	-------------