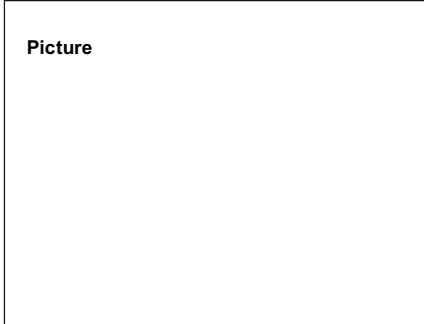


DC INDUCTIVE PROXIMITY SWITCH

Diameter
● Shielded ○ non-Shielded
Switching Distance, Sn: mm
Housing Material
● With LED ○ Without LED



Operating Voltage	10-30VDC
Ripple	<10%
No Load Current	<10mA
Max. Load Current	200mA
Leakage Current	<0.01mA
Voltage Drop	<2.0V
Switching Frequency	300HZ 100HZ
Response Time	0.5ms/0.5ms 1ms/1ms
Switching Hysteresis	<15%(Sr)
Repeat Accuracy	<1.0%(Sr)
Protection Category	IP67
Operating Temperature	-25 °C - +70 °C
Temperature Drift	<10%(Sr)
Short Circuit Protection	YES
Overload Trip Point	220mA
Material Active Face	PBT

DC 3 wire 10-30V NPN N.O.	P1C1B1812NOZA4	1	P1C2B1820NOZA4
DC 3 wire 10-30V NPN N.C.	P1C1B1812NCZA4	2	P1C2B1820NCZA4
DC 3 wire 10-30V PNP N.O.	P1C1B1812POZA4	3	P1C2B1820POZA4
DC 3 wire 10-30V PNP N.C.	P1C1B1812PCZA4	4	P1C2B1820PCZA4
DC 4 wire 10-30V Changeover PNP (N.O. & N.C.)			
DC 4 wire 10-30V Changeover NPN (N.O. & N.C.)			
DC 2 wire 10-60V N.O. *			
DC 2 wire 10-60V N.C. *			
DC 3 wire 10-55V NPN N.O.			
DC 3 wire 10-55V NPN N.C.			
DC 3 wire 10-55V PNP N.O.			
DC 3 wire 10-55V PNP N.C.			
DC 3 wire 5-36V NPN N.O.			
DC 3 wire 5-36V PNP N.C.			
DC 3 wire 5-36V PNP N.O.			
DC 4 wire 5-36V Changeover PNP (N.O. & N.C.)			
DC 4 wire 5-36V Changeover NPN (N.O. & N.C.)			

Dimensions (unit: mm)
<p>* : DC 2 wire 10-60V specifications see page 178. Other is same.</p>

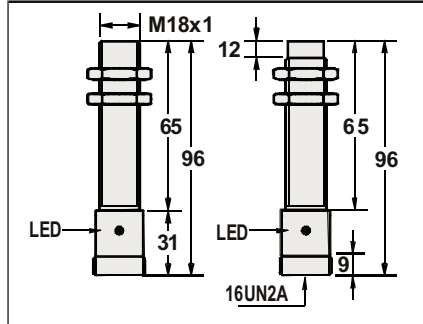
Cable 2M (PVC)
Weight

M 18	
●	○
12 mm	20 mm
Nickel plated brass	
●	



Operating Voltage	10-30VDC
Ripple	<10%
No Load Current	<10mA
Max. Load Current	200mA
Leakage Current	<0.01mA
Voltage Drop	<2.0V
Switching Frequency	300HZ 100HZ
Response Time	0.5ms/0.5ms 1ms/1ms
Switching Hysteresis	<15%(Sr)
Repeat Accuracy	<1.0%(Sr)
Protection Category	IP67
Operating Temperature	-25 °C - +70 °C
Temperature Drift	<10%(Sr)
Short Circuit Protection	YES
Overload Trip Point	220mA
Material Active Face	PBT

DC 3 wire 10-30V NPN N.O.	P1C1B1812NOZA4	1	P1C2B1820NOZA4
DC 3 wire 10-30V NPN N.C.	P1C1B1812NCZA4	2	P1C2B1820NCZA4
DC 3 wire 10-30V PNP N.O.	P1C1B1812POZA4	3	P1C2B1820POZA4
DC 3 wire 10-30V PNP N.C.	P1C1B1812PCZA4	4	P1C2B1820PCZA4
DC 4 wire 10-30V Changeover PNP (N.O. & N.C.)			
DC 4 wire 10-30V Changeover NPN (N.O. & N.C.)			
DC 2 wire 10-60V N.O. *			
DC 2 wire 10-60V N.C. *			
DC 3 wire 10-55V NPN N.O.			
DC 3 wire 10-55V NPN N.C.			
DC 3 wire 10-55V PNP N.O.			
DC 3 wire 10-55V PNP N.C.			
DC 3 wire 5-36V NPN N.O.			
DC 3 wire 5-36V PNP N.C.			
DC 3 wire 5-36V PNP N.O.			
DC 4 wire 5-36V Changeover PNP (N.O. & N.C.)			
DC 4 wire 5-36V Changeover NPN (N.O. & N.C.)			



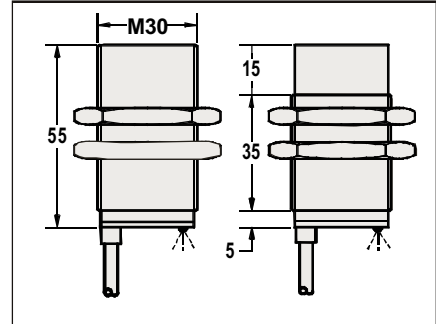
Cable 2M (PVC)	
Weight	Approx.94g Approx.91g

M 30	
●	○
10 mm	15 mm
stainless steel or nickel plated brass	
●	



Operating Voltage	10-30VDC / 5-36VDC / 10-55VDC / 10-60VDC
Ripple	<10%
No Load Current	<10mA
Max. Load Current	200mA
Leakage Current	<0.01mA
Voltage Drop	<1.5V
Switching Frequency	300HZ 150HZ
Response Time	0.5ms/0.5ms 1ms/1ms
Switching Hysteresis	<15%(Sr)
Repeat Accuracy	<1.0%(Sr)
Protection Category	IP67
Operating Temperature	-25 °C - +70 °C
Temperature Drift	<10%(Sr)
Short Circuit Protection	YES
Overload Trip Point	220mA
Material Active Face	PBT

DC 3 wire 10-30V NPN N.O.	P1C1B3010NO3A2	1	P1C2B3015NO3A2
DC 3 wire 10-30V NPN N.C.	P1C1B3010NC3A2	2	P1C2B3015NC3A2
DC 3 wire 10-30V PNP N.O.	P1C1B3010PO3A2	3	P1C2B3015PO3A2
DC 3 wire 10-30V PNP N.C.	P1C1B3010PC3A2	4	P1C2B3015PC3A2
DC 4 wire 10-30V Changeover PNP (N.O. & N.C.)	P1C1B3010PS4A2	5	P1C2B3015PS4A2
DC 4 wire 10-30V Changeover NPN (N.O. & N.C.)	P1C1B3010NS4A2	6	P1C2B3015NS4A2
DC 2 wire 10-60V N.O. *	P4C1B3010CO2A2	7	P4C2B3015CO2A2
DC 2 wire 10-60V N.C. *	P4C1B3010CC2A2	8	P4C2B3015CC2A2
DC 3 wire 10-55V NPN N.O.	P3C1B3010NO3A2	1	P3C2B3015NO3A2
DC 3 wire 10-55V NPN N.C.	P3C1B3010NC3A2	2	P3C2B3015NC3A2
DC 3 wire 10-55V PNP N.O.	P3C1B3010PO3A2	3	P3C2B3015PO3A2
DC 3 wire 10-55V PNP N.C.	P3C1B3010PC3A2	4	P3C2B3015PC3A2
DC 3 wire 5-36V NPN N.O.	P2C1B3010NO3A2	1	P2C2B3015NO3A2
DC 3 wire 5-36V PNP N.C.	P2C1B3010NC3A2	2	P2C2B3015NC3A2
DC 3 wire 5-36V PNP N.O.	P2C1B3010PO3A2	3	P2C2B3015PO3A2
DC 3 wire 5-36V PNP N.C.	P2C1B3010PC3A2	4	P2C2B3015PC3A2
DC 4 wire 5-36V Changeover PNP (N.O. & N.C.)	P2C1B3010PS4A2	6	P2C2B3015PS4A2
DC 4 wire 5-36V Changeover NPN (N.O. & N.C.)	P2C1B3010NS4A2	5	P2C2B3015NS4A2



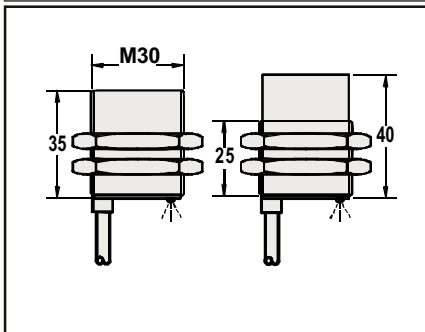
Cable 2M (PVC)	5.8φ 3x0.5 or 5.8φ 4x0.5
Weight	Approx.217g Approx.207g

M 30	
●	○
10 mm	15 mm
stainless steel or nickel plated brass	
●	



10-30VDC / 5-36VDC / 10-55VDC / 10-60VDC	
<10%	
<10mA	
200mA	
<0.01mA	
<1.5V	
300HZ	150HZ
0.5ms/0.5ms	1ms/1ms
<15%(Sr)	
<1.0%(Sr)	
IP67	
-25°C - +70°C	
<10%(Sr)	
YES	
220mA	
PBT	

P1C1B3010N03S2	1	P1C2B3015N03S2
P1C1B3010NC3S2	2	P1C2B3015NC3S2
P1C1B3010P03S2	3	P1C2B3015P03S2
P1C1B3010PC3S2	4	P1C2B3015PC3S2
P1C1B3010PS4S2	6	P1C2B3015PS4S2
P1C1B3010NS4S2	5	P1C2B3015NS4S2
P4C1B3010C02S2	7	P4C2B3015C02S2
P4C1B3010CC2S2	8	P4C2B3015CC2S2
P3C1B3010N03S2	1	P3C2B3015N03S2
P3C1B3010NC3S2	2	P3C2B3015NC3S2
P3C1B3010P03S2	3	P3C2B3015P03S2
P3C1B3010PC3S2	4	P3C2B3015PC3S2
P2C1B3010N03S2	1	P2C2B3015N03S2
P2C1B3010NC3S2	2	P2C2B3015NC3S2
P2C1B3010P03S2	3	P2C2B3015P03S2
P2C1B3010PC3S2	4	P2C2B3015PC3S2
P2C1B3010PS4S2	6	P2C2B3015PS4S2
P2C1B3010NS4S2	5	P2C2B3015NS4S2



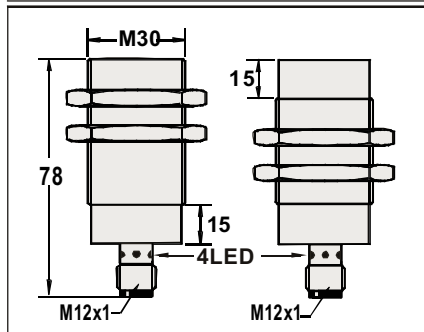
5.8φ 3x0.5 or 5.8φ 4x0.5
Approx.180 g
Approx.182 g

M 30	
●	○
10 mm	15 mm
stainless steel or nickel plated brass	
●	



10-30VDC / 5-36VDC / 10-55VDC / 10-60VDC	
<10%	
<10mA	
200mA	
<0.01mA	
<1.5V	
300HZ	150HZ
0.5ms/0.5ms	1ms/1ms
<15%(Sr)	
<1.0%(Sr)	
IP67	
-25°C - +70°C	
<10%(Sr)	
YES	
220mA	
PBT	

P1C1B3010NOEA4	1	P1C2B3015NOEA4
P1C1B3010NCEA4	2	P1C2B3015NCEA4
P1C1B3010POEA4	3	P1C2B3015POEA4
P1C1B3010PCEA4	4	P1C2B3015PCEA4
P1C1B3010PSEA4	6	P1C2B3015PSEA4
P1C1B3010NSEA4	5	P1C2B3015NSEA4
P4C1B3010COEA4	7	P4C2B3015COEA4
P4C1B3010CCEA4	8	P4C2B3015CCEA4
P3C1B3010NOEA4	1	P3C2B3015NOEA4
P3C1B3010NCEA4	2	P3C2B3015NCEA4
P3C1B3010POEA4	3	P3C2B3015POEA4
P3C1B3010PCEA4	4	P3C2B3015PCEA4
P2C1B3010NOEA4	1	P2C2B3015NOEA4
P2C1B3010NCEA4	2	P2C2B3015NCEA4
P2C1B3010POEA4	3	P2C2B3015POEA4
P2C1B3010PCEA4	4	P2C2B3015PCEA4
P2C1B3010PSEA4	6	P2C2B3015PSEA4
P2C1B3010NSEA4	5	P2C2B3015NSEA4



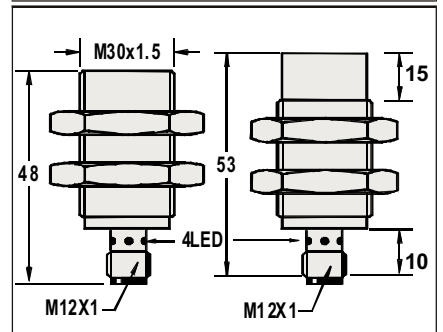
Approx.187 g
Approx.179 g

M 30	
●	○
10 mm	15 mm
stainless steel or nickel plated brass	
●	



10-30VDC / 5-36VDC / 10-55VDC / 10-60VDC	
<10%	
<10mA	
200mA	
<0.01mA	
<1.5V	
300HZ	150HZ
0.5ms/0.5ms	1ms/1ms
<15%(Sr)	
<1.0%(Sr)	
IP67	
-25°C - +70°C	
<10%(Sr)	
YES	
220mA	
PBT	

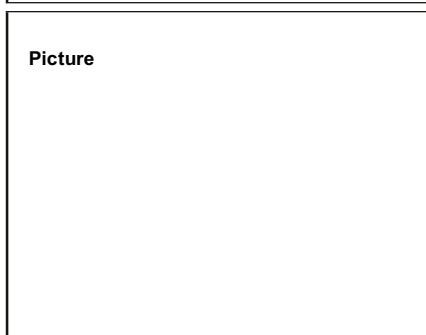
P1C1B3010NOES4	1	P1C2B3015NOES4
P1C1B3010NCES4	2	P1C2B3015NCES4
P1C1B3010POES4	3	P1C2B3015POES4
P1C1B3010PCES4	4	P1C2B3015PCES4
P1C1B3010PSES4	6	P1C2B3015PSES4
P1C1B3010NSES4	5	P1C2B3015NSES4
P4C1B3010COES4	7	P4C2B3015COES4
P4C1B3010CCES4	8	P4C2B3015CCES4
P3C1B3010NOES4	1	P3C2B3015NOES4
P3C1B3010NCES4	2	P3C2B3015NCES4
P3C1B3010POES4	3	P3C2B3015POES4
P3C1B3010PCES4	4	P3C2B3015PCES4
P2C1B3010NOES4	1	P2C2B3015NOES4
P2C1B3010NCES4	2	P2C2B3015NCES4
P2C1B3010POES4	3	P2C2B3015POES4
P2C1B3010PCES4	4	P2C2B3015PCES4
P2C1B3010PSES4	6	P2C2B3015PSES4
P2C1B3010NSES4	5	P2C2B3015NSES4



Approx.111 g
Approx.121 g

DC INDUCTIVE PROXIMITY SWITCH

Diameter
● Shielded ○ non-Shielded
Switching Distance, Sn: mm
Housing Material
● With LED ○ Without LED



Operating Voltage
Ripple
No Load Current
Max. Load Current
Leakage Current
Voltage Drop
Switching Frequency
Response Time
Switching Hysteresis
Repeat Accuracy
Protection Category
Operating Temperature
Temperature Drift
Short Circuit Protection
Overload Trip Point
Material Active Face

DC 3 wire 10-30V NPN N.O.
DC 3 wire 10-30V NPN N.C.
DC 3 wire 10-30V PNP N.O.
DC 3 wire 10-30V PNP N.C.
DC 4 wire 10-30V Changeover PNP (N.O. & N.C.)
DC 4 wire 10-30V Changeover NPN (N.O. & N.C.)
DC 2 wire 10-60V N.O. *
DC 2 wire 10-60V N.C. *
DC 3 wire 10-55v NPN N.O.
DC 3 wire 10-55v NPN N.C.
DC 3 wire 10-55v PNP N.O.
DC 3 wire 10-55v PNP N.C.
DC 3 wire 5-36V NPN N.O.
DC 3 wire 5-36V NPN N.C.
DC 3 wire 5-36V PNP N.O.
DC 3 wire 5-36V PNP N.C.
DC 4 wire 5-36V Changeover PNP (N.O. & N.C.)
DC 4 wire 5-36V Changeover NPN (N.O. & N.C.)

Dimensions (unit: mm)

* : DC 2wire 10-60V specifications see page 178. Other is same.

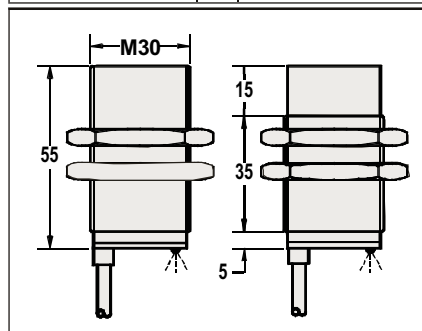
Cable 2M (PVC)
Weight

M 30	
●	○
16 mm	25 mm
stainless steel or nickel plated brass	
●	



10-30VDC / 5-36VDC / 10-55VDC / 10-60VDC	
<10%	
<10mA	
200mA	
<0.01mA	
<2.0V	
150HZ	100HZ
1ms/1ms	1ms/1ms
<15%(Sr)	
<1.0%(Sr)	
IP67	
-25 °C - +70 °C	
<10%(Sr)	
YES	
220mA	
PBT	

P1C1B3016NO3A2	1	P1C2B3025NO3A2
P1C1B3016NC3A2	2	P1C2B3025NC3A2
P1C1B3016PO3A2	3	P1C2B3025PO3A2
P1C1B3016PC3A2	4	P1C2B3025PC3A2
P1C1B3016PS4A2	6	P1C2B3025PS4A2
P1C1B3016NS4A2	5	P1C2B3025NS4A2
P4C1B3016CO2A2	7	P4C2B3025CO2A2
P4C1B3016CC2A2	8	P4C2B3025CC2A2
P3C1B3016NO3A2	1	P3C2B3025NO3A2
P3C1B3016NC3A2	2	P3C2B3025NC3A2
P3C1B3016PO3A2	3	P3C2B3025PO3A2
P3C1B3016PC3A2	4	P3C2B3025PC3A2
P2C1B3016NO3A2	1	P2C2B3025NO3A2
P2C1B3016NC3A2	2	P2C2B3025NC3A2
P2C1B3016PO3A2	3	P2C2B3025PO3A2
P2C1B3016PC3A2	4	P2C2B3025PC3A2
P2C1B3016PS4A2	6	P2C2B3025PS4A2
P2C1B3016NS4A2	5	P2C2B3025NS4A2



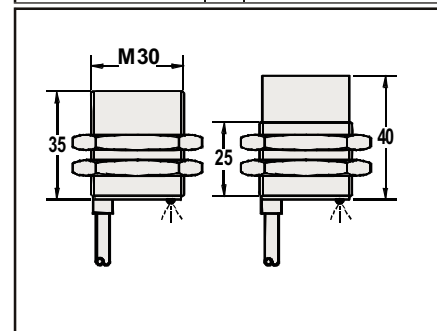
5.8φ 3x0.5 or 5.8φ 4x0.5	
Approx.217 g	Approx.207 g

M 30	
●	○
16 mm	25 mm
stainless steel or nickel plated brass	
●	



10-30VDC / 5-36VDC / 10-55VDC / 10-60VDC	
<10%	
<10mA	
200mA	
<0.01mA	
<2.0V	
150HZ	100HZ
1ms/1ms	1ms/1ms
<15%(Sr)	
<1.0%(Sr)	
IP67	
-25 °C - +70 °C	
<10%(Sr)	
YES	
220mA	
PBT	

P1C1B3016NO3S2	1	P1C2B3025NO3S2
P1C1B3016NC3S2	2	P1C2B3025NC3S2
P1C1B3016PO3S2	3	P1C2B3025PO3S2
P1C1B3016PC3S2	4	P1C2B3025PC3S2
P1C1B3016PS4S2	6	P1C2B3025PS4S2
P1C1B3016NS4S2	5	P1C2B3025NS4S2
P4C1B3016CO2S2	7	P4C2B3025CO2S2
P4C1B3016CC2S2	8	P4C2B3025CC2S2
P3C1B3016NO3S2	1	P3C2B3025NO3S2
P3C1B3016NC3S2	2	P3C2B3025NC3S2
P3C1B3016PO3S2	3	P3C2B3025PO3S2
P3C1B3016PC3S2	4	P3C2B3025PC3S2
P2C1B3016NO3S2	1	P2C2B3025NO3S2
P2C1B3016NC3S2	2	P2C2B3025NC3S2
P2C1B3016PO3S2	3	P2C2B3025PO3S2
P2C1B3016PC3S2	4	P2C2B3025PC3S2
P2C1B3016PS4S2	6	P2C2B3025PS4S2
P2C1B3016NS4S2	5	P2C2B3025NS4S2



5.8 φ 3x0.5 or 5.8 φ 4x0.5	
Approx.180 g	Approx.182 g

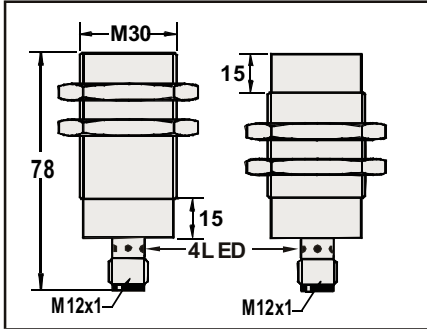
DC INDUCTIVE PROXIMITY SWITCH

M 30	
●	○
16 mm	25 mm
stainless steel or nickel plated brass	
●	



10-30VDC / 5-36VDC / 10-55VDC / 10-60VDC	
<10%	
<10mA	
200mA	
<0.01mA	
<2.0V	
150HZ	100HZ
1ms/1ms	1ms/1ms
<15%(Sr)	
<1.0%(Sr)	
IP67	
-25°C - +70°C	
<10%(Sr)	
YES	
220mA	
PBT	

P1C1B3016NOEA4	1	P1C2B3025NOEA4
P1C1B3016NCEA4	2	P1C2B3025NCEA4
P1C1B3016POEA4	3	P1C2B3025POEA4
P1C1B3016PCEA4	4	P1C2B3025PCEA4
P1C1B3016PSEA4	6	P1C2B3025PSEA4
P1C1B3016NSEA4	5	P1C2B3025NSEA4
P4C1B3016COEA4	7	P4C2B3025COEA4
P4C1B3016CCEA4	8	P4C2B3025CCEA4
P3C1B3016NOEA4	1	P3C2B3025NOEA4
P3C1B3016NCEA4	2	P3C2B3025NCEA4
P3C1B3016POEA4	3	P3C2B3025POEA4
P3C1B3016PCEA4	4	P3C2B3025PCEA4
P2C1B3016NOEA4	1	P2C2B3025NOEA4
P2C1B3016NCEA4	2	P2C2B3025NCEA4
P2C1B3016POEA4	3	P2C2B3025POEA4
P2C1B3016PCEA4	4	P2C2B3025PCEA4
P2C1B3016PSEA4	6	P2C2B3025PSEA4
P2C1B3016NSEA4	5	P2C2B3025NSEA4



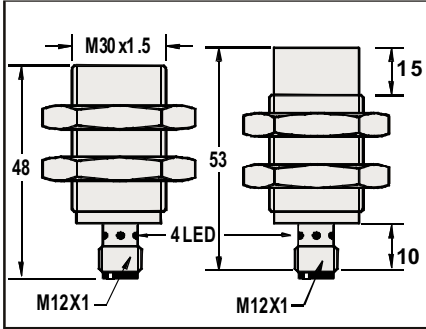
Approx. 187 g	Approx. 179 g
---------------	---------------

M 30	
●	○
16 mm	25 mm
stainless steel or nickel plated brass	
●	



10-30VDC / 5-36VDC / 10-55VDC / 10-60VDC	
<10%	
<10mA	
200 mA	
<0.01mA	
<2.0V	
150HZ	100HZ
1ms/1ms	1ms/1ms
<15%(Sr)	
<1.0%(Sr)	
IP67	
-25°C - +70°C	
<10%(Sr)	
YES	
220 mA	
PBT	

P1C1B3016NOES4	1	P1C2B3025NOES4
P1C1B3016NCES4	2	P1C2B3025NCES4
P1C1B3016POES4	3	P1C2B3025POES4
P1C1B3016PCES4	4	P1C2B3025PCES4
P1C1B3016PSES4	6	P1C2B3025PSES4
P1C1B3016NSES4	5	P1C2B3025NSES4
P4C1B3016COES4	7	P4C2B3025COES4
P4C1B3016CCES4	8	P4C2B3025CCES4
P3C1B3016NOEA4	1	P3C2B3025NOEA4
P3C1B3016NCEA4	2	P3C2B3025NCEA4
P3C1B3016POEA4	3	P3C2B3025POEA4
P3C1B3016PCEA4	4	P3C2B3025PCEA4
P2C1B3016NOES4	1	P2C2B3025NOES4
P2C1B3016NCES4	2	P2C2B3025NCES4
P2C1B3016POES4	3	P2C2B3025POES4
P2C1B3016PCES4	4	P2C2B3025PCES4
P2C1B3016PSES4	6	P2C2B3025PSES4
P2C1B3016NSES4	5	P2C2B3025NSES4



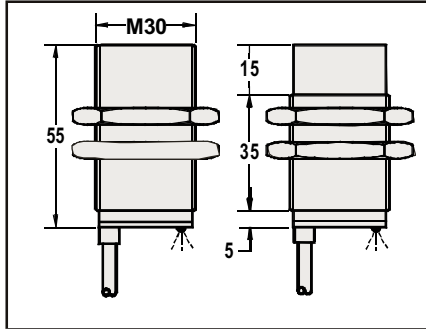
Approx. 111 g	Approx. 121 g
---------------	---------------

M 30	
●	○
22 mm	40 mm
Nickel plated brass	
●	




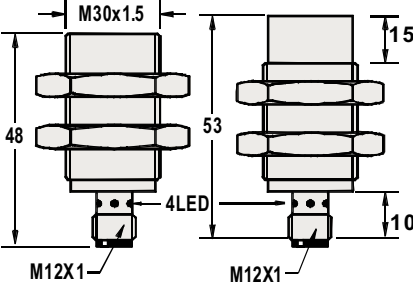
10-30VDC	
<10%	
<10mA	
200mA	
<0.01mA	
<2.0V	
300HZ	100HZ
0.5ms/0.5ms	1ms/1ms
<15%(Sr)	
<1.0%(Sr)	
IP67	
-25°C - +70°C	
<10%(Sr)	
YES	
220mA	
PBT	


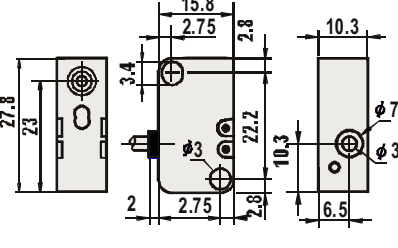
P1C1B3022NO3A2	1	P1C2B3040NO3A2
P1C1B3022NC3A2	2	P1C2B3040NC3A2
P1C1B3022PO3A2	3	P1C2B3040PO3A2
P1C1B3022PC3A2	4	P1C2B3040PC3A2


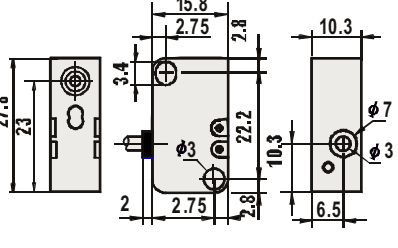


Approx. 217 g	Approx. 207 g
---------------	---------------

DC INDUCTIVE PROXIMITY SWITCH

M 30																																	
●	○																																
22 mm	40 mm																																
Nickel plated brass																																	
●																																	
																																	
<table border="1" style="width: 100%; border-collapse: collapse;"> <tr><td colspan="2" style="text-align: center;">10-30VDC</td></tr> <tr><td colspan="2" style="text-align: center;"><10%</td></tr> <tr><td colspan="2" style="text-align: center;"><10 mA</td></tr> <tr><td colspan="2" style="text-align: center;">200mA</td></tr> <tr><td colspan="2" style="text-align: center;"><0.01mA</td></tr> <tr><td colspan="2" style="text-align: center;"><2.0V</td></tr> <tr> <td style="text-align: center;">300HZ</td> <td style="text-align: center;">100HZ</td> </tr> <tr> <td style="text-align: center;">0.5ms/0.5ms</td> <td style="text-align: center;">1ms/1ms</td> </tr> <tr><td colspan="2" style="text-align: center;"><15%(Sr)</td></tr> <tr><td colspan="2" style="text-align: center;"><1.0%(Sr)</td></tr> <tr><td colspan="2" style="text-align: center;">IP67</td></tr> <tr><td colspan="2" style="text-align: center;">-25 °C - +70 °C</td></tr> <tr><td colspan="2" style="text-align: center;"><10%(Sr)</td></tr> <tr><td colspan="2" style="text-align: center;">YES</td></tr> <tr><td colspan="2" style="text-align: center;">220mA</td></tr> <tr><td colspan="2" style="text-align: center;">PBT</td></tr> </table>		10-30VDC		<10%		<10 mA		200mA		<0.01mA		<2.0V		300HZ	100HZ	0.5ms/0.5ms	1ms/1ms	<15%(Sr)		<1.0%(Sr)		IP67		-25 °C - +70 °C		<10%(Sr)		YES		220mA		PBT	
10-30VDC																																	
<10%																																	
<10 mA																																	
200mA																																	
<0.01mA																																	
<2.0V																																	
300HZ	100HZ																																
0.5ms/0.5ms	1ms/1ms																																
<15%(Sr)																																	
<1.0%(Sr)																																	
IP67																																	
-25 °C - +70 °C																																	
<10%(Sr)																																	
YES																																	
220mA																																	
PBT																																	
<table border="1" style="width: 100%; border-collapse: collapse;"> <tr><td>P1C1B3022NOES4</td><td style="text-align: center;">1</td><td>P1C2B3040NOES4</td></tr> <tr><td>P1C1B3022NCES4</td><td style="text-align: center;">2</td><td>P1C2B3040NCES4</td></tr> <tr><td>P1C1B3022POES4</td><td style="text-align: center;">3</td><td>P1C2B3040POES4</td></tr> <tr><td>P1C1B3022PCES4</td><td style="text-align: center;">4</td><td>P1C2B3040PCES4</td></tr> </table>	P1C1B3022NOES4	1	P1C2B3040NOES4	P1C1B3022NCES4	2	P1C2B3040NCES4	P1C1B3022POES4	3	P1C2B3040POES4	P1C1B3022PCES4	4	P1C2B3040PCES4	<table border="1" style="width: 100%; border-collapse: collapse;"> <tr><td>P1C2B3040NOES4</td><td></td><td>P1C2B3040NCES4</td></tr> <tr><td>P1C2B3040NCES4</td><td></td><td>P1C2B3040POES4</td></tr> <tr><td>P1C2B3040POES4</td><td></td><td>P1C2B3040PCES4</td></tr> </table>	P1C2B3040NOES4		P1C2B3040NCES4	P1C2B3040NCES4		P1C2B3040POES4	P1C2B3040POES4		P1C2B3040PCES4											
P1C1B3022NOES4	1	P1C2B3040NOES4																															
P1C1B3022NCES4	2	P1C2B3040NCES4																															
P1C1B3022POES4	3	P1C2B3040POES4																															
P1C1B3022PCES4	4	P1C2B3040PCES4																															
P1C2B3040NOES4		P1C2B3040NCES4																															
P1C2B3040NCES4		P1C2B3040POES4																															
P1C2B3040POES4		P1C2B3040PCES4																															
																																	
Approx.111 g	Approx.121 g																																

Q16x28x10																																	
●	○																																
1 mm	2 mm																																
PBT RESIN																																	
●																																	
																																	
<table border="1" style="width: 100%; border-collapse: collapse;"> <tr><td colspan="2" style="text-align: center;">10-30VDC</td></tr> <tr><td colspan="2" style="text-align: center;"><10%</td></tr> <tr><td colspan="2" style="text-align: center;"><10mA</td></tr> <tr><td colspan="2" style="text-align: center;">200mA</td></tr> <tr><td colspan="2" style="text-align: center;"><0.01mA</td></tr> <tr><td colspan="2" style="text-align: center;"><1.5V</td></tr> <tr><td colspan="2" style="text-align: center;">2KHZ</td></tr> <tr><td colspan="2" style="text-align: center;">0.1ms/0.1ms</td></tr> <tr><td colspan="2" style="text-align: center;"><15%(Sr)</td></tr> <tr><td colspan="2" style="text-align: center;"><1.0%(Sr)</td></tr> <tr><td colspan="2" style="text-align: center;">IP67</td></tr> <tr><td colspan="2" style="text-align: center;">-25 °C - +70 °C</td></tr> <tr><td colspan="2" style="text-align: center;"><10%(Sr)</td></tr> <tr><td colspan="2" style="text-align: center;">YES</td></tr> <tr><td colspan="2" style="text-align: center;">220mA</td></tr> <tr><td colspan="2" style="text-align: center;">-</td></tr> </table>		10-30VDC		<10%		<10mA		200mA		<0.01mA		<1.5V		2KHZ		0.1ms/0.1ms		<15%(Sr)		<1.0%(Sr)		IP67		-25 °C - +70 °C		<10%(Sr)		YES		220mA		-	
10-30VDC																																	
<10%																																	
<10mA																																	
200mA																																	
<0.01mA																																	
<1.5V																																	
2KHZ																																	
0.1ms/0.1ms																																	
<15%(Sr)																																	
<1.0%(Sr)																																	
IP67																																	
-25 °C - +70 °C																																	
<10%(Sr)																																	
YES																																	
220mA																																	
-																																	
<table border="1" style="width: 100%; border-collapse: collapse;"> <tr><td>P1S1P2801NO3A2X</td><td style="text-align: center;">1</td><td>P1S2P2802NO3A2X</td></tr> <tr><td>P1S1P2801NC3A2X</td><td style="text-align: center;">2</td><td>P1S2P2802NC3A2X</td></tr> <tr><td>P1S1P2801PO3A2X</td><td style="text-align: center;">3</td><td>P1S2P2802PO3A2X</td></tr> <tr><td>P1S1P2801PC3A2X</td><td style="text-align: center;">4</td><td>P1S2P2802PC3A2X</td></tr> </table>		P1S1P2801NO3A2X	1	P1S2P2802NO3A2X	P1S1P2801NC3A2X	2	P1S2P2802NC3A2X	P1S1P2801PO3A2X	3	P1S2P2802PO3A2X	P1S1P2801PC3A2X	4	P1S2P2802PC3A2X																				
P1S1P2801NO3A2X	1	P1S2P2802NO3A2X																															
P1S1P2801NC3A2X	2	P1S2P2802NC3A2X																															
P1S1P2801PO3A2X	3	P1S2P2802PO3A2X																															
P1S1P2801PC3A2X	4	P1S2P2802PC3A2X																															
																																	
<table border="1" style="width: 100%; border-collapse: collapse;"> <tr><td colspan="2" style="text-align: center;">3 ∅ 3x0.15</td></tr> <tr><td colspan="2" style="text-align: center;">Approx.55 g</td></tr> </table>		3 ∅ 3x0.15		Approx.55 g																													
3 ∅ 3x0.15																																	
Approx.55 g																																	

Q16x28x10																																	
●	○																																
2 mm	4 mm																																
PBT RESIN																																	
●																																	
																																	
<table border="1" style="width: 100%; border-collapse: collapse;"> <tr><td colspan="2" style="text-align: center;">10-30VDC</td></tr> <tr><td colspan="2" style="text-align: center;"><10%</td></tr> <tr><td colspan="2" style="text-align: center;"><10mA</td></tr> <tr><td colspan="2" style="text-align: center;">200mA</td></tr> <tr><td colspan="2" style="text-align: center;"><0.01mA</td></tr> <tr><td colspan="2" style="text-align: center;"><2.0V</td></tr> <tr> <td style="text-align: center;">2KHZ</td> <td style="text-align: center;">1KHZ</td> </tr> <tr> <td style="text-align: center;">0.1ms/0.1ms</td> <td style="text-align: center;">0.2ms/0.2ms</td> </tr> <tr><td colspan="2" style="text-align: center;"><15%(Sr)</td></tr> <tr><td colspan="2" style="text-align: center;"><1.0%(Sr)</td></tr> <tr><td colspan="2" style="text-align: center;">IP67</td></tr> <tr><td colspan="2" style="text-align: center;">-25 °C - +70 °C</td></tr> <tr><td colspan="2" style="text-align: center;"><10%(Sr)</td></tr> <tr><td colspan="2" style="text-align: center;">YES</td></tr> <tr><td colspan="2" style="text-align: center;">220mA</td></tr> <tr><td colspan="2" style="text-align: center;">-</td></tr> </table>		10-30VDC		<10%		<10mA		200mA		<0.01mA		<2.0V		2KHZ	1KHZ	0.1ms/0.1ms	0.2ms/0.2ms	<15%(Sr)		<1.0%(Sr)		IP67		-25 °C - +70 °C		<10%(Sr)		YES		220mA		-	
10-30VDC																																	
<10%																																	
<10mA																																	
200mA																																	
<0.01mA																																	
<2.0V																																	
2KHZ	1KHZ																																
0.1ms/0.1ms	0.2ms/0.2ms																																
<15%(Sr)																																	
<1.0%(Sr)																																	
IP67																																	
-25 °C - +70 °C																																	
<10%(Sr)																																	
YES																																	
220mA																																	
-																																	
<table border="1" style="width: 100%; border-collapse: collapse;"> <tr><td>P1S1P2802NO3A2X</td><td style="text-align: center;">1</td><td>P1S2P2804NO3A2X</td></tr> <tr><td>P1S1P2802NC3A2X</td><td style="text-align: center;">2</td><td>P1S2P2804NC3A2X</td></tr> <tr><td>P1S1P2802PO3A2X</td><td style="text-align: center;">3</td><td>P1S2P2804PO3A2X</td></tr> <tr><td>P1S1P2802PC3A2X</td><td style="text-align: center;">4</td><td>P1S2P2804PC3A2X</td></tr> </table>		P1S1P2802NO3A2X	1	P1S2P2804NO3A2X	P1S1P2802NC3A2X	2	P1S2P2804NC3A2X	P1S1P2802PO3A2X	3	P1S2P2804PO3A2X	P1S1P2802PC3A2X	4	P1S2P2804PC3A2X																				
P1S1P2802NO3A2X	1	P1S2P2804NO3A2X																															
P1S1P2802NC3A2X	2	P1S2P2804NC3A2X																															
P1S1P2802PO3A2X	3	P1S2P2804PO3A2X																															
P1S1P2802PC3A2X	4	P1S2P2804PC3A2X																															
																																	
<table border="1" style="width: 100%; border-collapse: collapse;"> <tr><td colspan="2" style="text-align: center;">3 ∅ 3x0.15</td></tr> <tr><td colspan="2" style="text-align: center;">Approx.55 g</td></tr> </table>		3 ∅ 3x0.15		Approx.55 g																													
3 ∅ 3x0.15																																	
Approx.55 g																																	