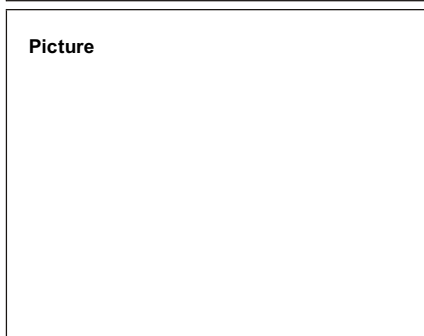


ANALOG INDUCTIVE CURRENT OUTPUT ANALOG SENSOR

Diameter
● Shielded ○ non-shielded
Switching Distance, Sn: mm
Housing Material
● With LED ○ Without LED



Supply Voltage
Max. Ripple
No Load Current
Output Voltage/Load Resistor
Output Current/Load Resistor
Linearity
Repeat Accuracy
Ambient Temperature
Temperature Drift
Short Circuit Protection
Reverse Polarity Protection
Protection Degree
Output Signal
Switch Frequency Max.
Time Delay Before Availability
EMC
Shock / Vibration
Material Active Face

Characteristics

Inductive Voltage Output
Inductive Current Output
Inductive Voltage & Current output

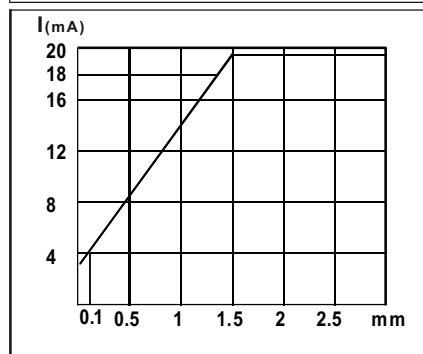
Dimensions (Unit: mm)

Cable 2M (PVC)
Weight

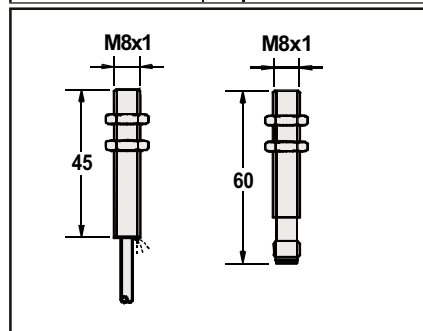
M 8
●
0.1-1.5 mm
Nickel plated brass
○



18-30VDC
<10%
<35mA
-
4-20mA/400Ω Max.
<5%
0.02mm
0°C ~ +70°C
<5%(Sr)
-
YES
IP67
PNP-ANALOG
100Hz
-
RFB>3V/m / EFT>1KV / ESD>4KV (contact)
IEC 60947-5-2,Part 7.4.1 / IEC 60947-5-2,Part 7.4.2
PBT



P5C1B081.5GI3A2	18	P5C1B081.5GIPA3
-----------------	----	-----------------

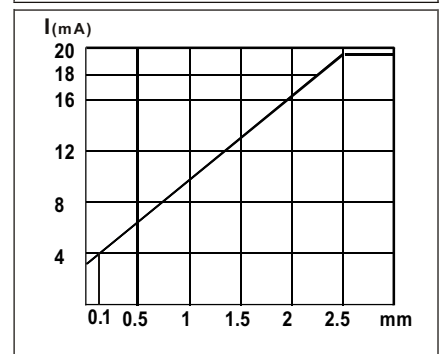


4φ 3x0.15	-
approx.40g	approx.15g

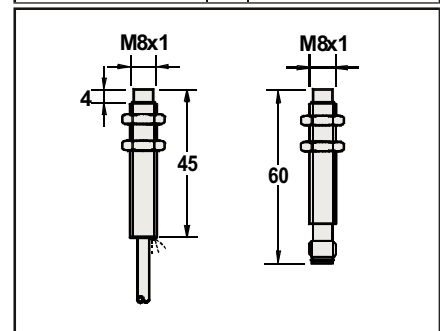
M 8
○
0.1-2.5mm
Nickel plated brass
○



18-30VDC
<10%
<35mA
-
4-20mA/400Ω Max.
<5%
0.02mm
0°C ~ +70°C
<5%(Sr)
-
YES
IP67
PNP-ANALOG
100Hz
-
RFB>3V/m / EFT>1KV / ESD>4KV (contact)
IEC 60947-5-2,Part 7.4.1 / IEC 60947-5-2,Part 7.4.2
PBT



P5C2B082.5GI3A2	18	P5C2B082.5GIPA3
-----------------	----	-----------------



4φ 3x0.15	-
approx.40g	approx.15g