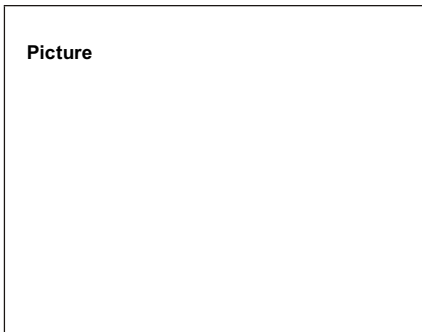


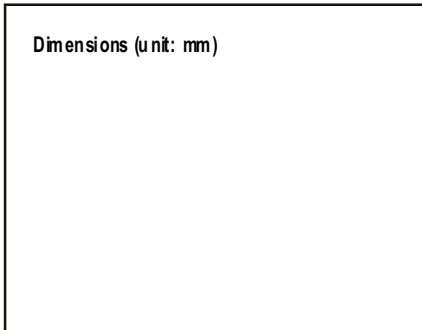
DC METAL FACE INDUCTIVE PROXIMITY SWITCH

Diameter
● Shielded ○ non-Shielded
Switching Distance, Sn: mm
Housing Material
● With LED ○ Without LED



Operating Voltage	10-30VDC
Ripple	<10%
No Load Current	<10mA
Max. Load Current	200mA
Leakage Current	<0.01mA
Voltage Drop	<1.5V
Switching Frequency	2KHZ
Response Time	0.1ms/0.1ms
Switching Hysteresis	<15%(Sr)
Repeat Accuracy	<1.0%(Sr)
Protection Category	IP67
Operating Temperature	-25°C - +70°C
Temperature Drift	<10%(Sr)
Short Circuit Protection	YES
Overload Trip Point	220mA
Material Active Face	Stainless steel

DC 3 wire 10-30V NPN N.O.	P1C1F0801NO3A2	1	P1C2F0802NO3A2
DC 3 wire 10-30V NPN N.C.	P1C1F0801NC3A2	2	P1C2F0802NC3A2
DC 3 wire 10-30V PNP N.O.	P1C1F0801PO3A2	3	P1C2F0802PO3A2
DC 3 wire 10-30V PNP N.C.	P1C1F0801PC3A2	4	P1C2F0802PC3A2
DC 4 wire 10-30V Changeover PNP (N.O. & N.C.)			
DC 4 wire 10-30V Changeover NPN (N.O. & N.C.)			
DC 2 wire 10-60V N.O.			
DC 2 wire 10-60V N.C.			
DC 3 wire 10-55v NPN N.O.			
DC 3 wire 10-55v NPN N.C.			
DC 3 wire 10-55v PNP N.O.			
DC 3 wire 10-55v PNP N.C.			
DC 3 wire 5-36v NPN N.O.			
DC 3 wire 5-36v NPN N.C.			
DC 3 wire 5-36v PNP N.O.			
DC 3 wire 5-36v PNP N.C.			
AC/DC 4 wire 5-36v Changeover PNP (N.O. & N.C.)			
AC/DC 4 wire 5-36v Changeover NPN (N.O. & N.C.)			



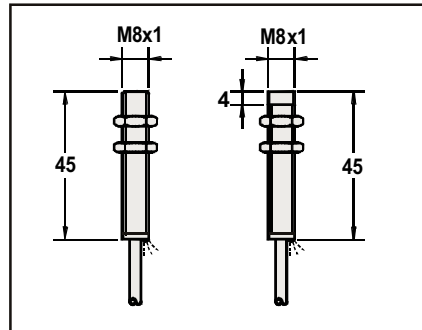
Cable 2M (PVC)	3 φ 3x0.15
Weight	Appr. 40 g

M 8	
●	○
1mm	2mm
stainless steel	
●	



Operating Voltage	10-30VDC
Ripple	<10%
No Load Current	<10mA
Max. Load Current	200mA
Leakage Current	<0.01mA
Voltage Drop	<1.5V
Switching Frequency	2KHZ
Response Time	0.1ms/0.1ms
Switching Hysteresis	<15%(Sr)
Repeat Accuracy	<1.0%(Sr)
Protection Category	IP67
Operating Temperature	-25°C - +70°C
Temperature Drift	<10%(Sr)
Short Circuit Protection	YES
Overload Trip Point	220mA
Material Active Face	Stainless steel

DC 3 wire 10-30V NPN N.O.	P1C1F0801NO3A2	1	P1C2F0802NO3A2
DC 3 wire 10-30V NPN N.C.	P1C1F0801NC3A2	2	P1C2F0802NC3A2
DC 3 wire 10-30V PNP N.O.	P1C1F0801PO3A2	3	P1C2F0802PO3A2
DC 3 wire 10-30V PNP N.C.	P1C1F0801PC3A2	4	P1C2F0802PC3A2
DC 4 wire 10-30V Changeover PNP (N.O. & N.C.)			
DC 4 wire 10-30V Changeover NPN (N.O. & N.C.)			
DC 2 wire 10-60V N.O.			
DC 2 wire 10-60V N.C.			
DC 3 wire 10-55v NPN N.O.			
DC 3 wire 10-55v NPN N.C.			
DC 3 wire 10-55v PNP N.O.			
DC 3 wire 10-55v PNP N.C.			
DC 3 wire 5-36v NPN N.O.			
DC 3 wire 5-36v NPN N.C.			
DC 3 wire 5-36v PNP N.O.			
DC 3 wire 5-36v PNP N.C.			
AC/DC 4 wire 5-36v Changeover PNP (N.O. & N.C.)			
AC/DC 4 wire 5-36v Changeover NPN (N.O. & N.C.)			



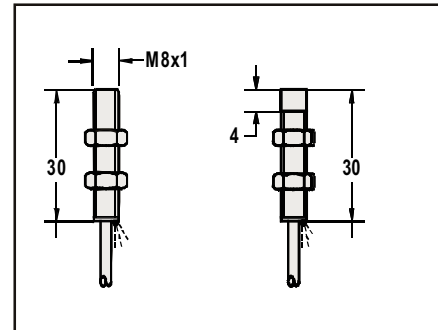
Cable 2M (PVC)	3 φ 3x0.15
Weight	Appr. 40 g

M 8	
●	○
1mm	2mm
stainless steel	
●	



Operating Voltage	10-30 VDC
Ripple	<10%
No Load Current	<10mA
Max. Load Current	200mA
Leakage Current	<0.01mA
Voltage Drop	<1.5V
Switching Frequency	2KHZ
Response Time	0.1ms/0.1ms
Switching Hysteresis	<15%(Sr)
Repeat Accuracy	<1.0%(Sr)
Protection Category	IP67
Operating Temperature	-25°C - +70°C
Temperature Drift	<10%(Sr)
Short Circuit Protection	YES
Overload Trip Point	220mA
Material Active Face	Stainless steel

DC 3 wire 10-30V NPN N.O.	P1C1F0801NO3S2	1	P1C2F0802NO3S2
DC 3 wire 10-30V NPN N.C.	P1C1F0801NC3S2	2	P1C2F0802NC3S2
DC 3 wire 10-30V PNP N.O.	P1C1F0801PO3S2	3	P1C2F0802PO3S2
DC 3 wire 10-30V PNP N.C.	P1C1F0801PC3S2	4	P1C2F0802PC3S2
DC 4 wire 10-30V Changeover PNP (N.O. & N.C.)			
DC 4 wire 10-30V Changeover NPN (N.O. & N.C.)			
DC 2 wire 10-60V N.O.			
DC 2 wire 10-60V N.C.			
DC 3 wire 10-55v NPN N.O.			
DC 3 wire 10-55v NPN N.C.			
DC 3 wire 10-55v PNP N.O.			
DC 3 wire 10-55v PNP N.C.			
DC 3 wire 5-36v NPN N.O.			
DC 3 wire 5-36v NPN N.C.			
DC 3 wire 5-36v PNP N.O.			
DC 3 wire 5-36v PNP N.C.			
AC/DC 4 wire 5-36v Changeover PNP (N.O. & N.C.)			
AC/DC 4 wire 5-36v Changeover NPN (N.O. & N.C.)			



Cable 2M (PVC)	3 φ 3x0.15
Weight	Appr. 47 g

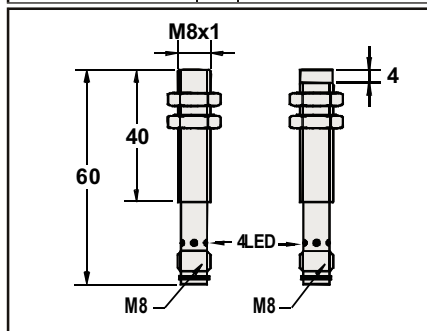
DC METAL FACE INDUCTIVE PROXIMITY SWITCH

M 8	
●	○
1mm	2mm
stainless steel	
●	



10-30VDC
<10%
<10mA
200mA
<0.01mA
<1.5V
2KHZ
0.1ms/0.1ms
<15%(Sr)
<1.0%(Sr)
IP67
-25 °C - +70 °C
<10%(Sr)
YES
220mA
Stainless steel

P1C1F0801NO PA3	1	P1C2F0802NO PA3
P1C1F0801NC PA3	2	P1C2F0802NC PA3
P1C1F0801PO PA3	3	P1C2F0802PO PA3
P1C1F0801PC PA3	4	P1C2F0802PC PA3



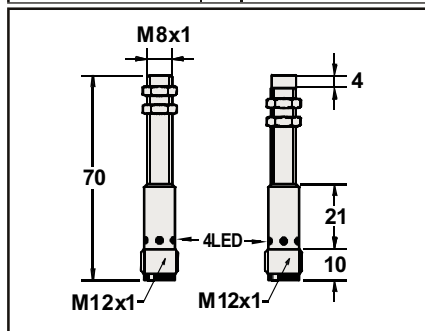
Approx.15g

M 8	
●	○
1mm	2mm
stainless steel	
●	



10-30VDC
<10%
<10mA
200mA
<0.01mA
<1.5V
2KHZ
0.1ms/0.1ms
<15%(Sr)
<1.0%(Sr)
IP67
-25 °C - +70 °C
<10%(Sr)
YES
220mA
Stainless steel

P1C1F0801NO EA4	1	P1C2F0802NO EA4
P1C1F0801NC EA4	2	P1C2F0802NC EA4
P1C1F0801PO EA4	3	P1C2F0802PO EA4
P1C1F0801PC EA4	4	P1C2F0802PC EA4



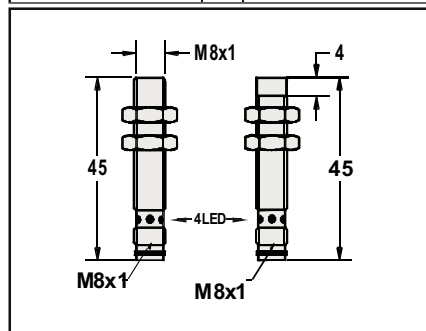
Approx.22 g

M 8	
●	○
1 mm	2 mm
stainless steel	
●	



10-30VDC
<10%
<10mA
200mA
<0.01mA
<1.5V
2KHZ
0.1ms/0.1ms
<15%(Sr)
<1.0%(Sr)
IP67
-25 °C - +70 °C
<10%(Sr)
YES
220mA
Stainless steel

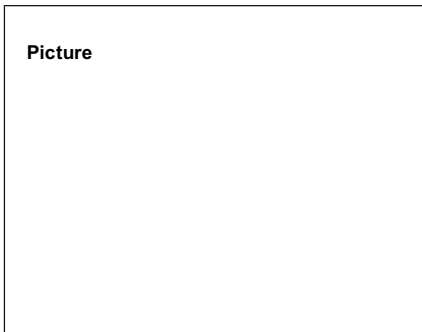
P1C1F0801NOPS3	1	P1C2F0802NOPS3
P1C1F0801NCPS3	2	P1C2F0802NCPS3
P1C1F0801POPS3	3	P1C2F0802POPS3
P1C1F0801PCPS3	4	P1C2F0802PCPS3



Approx.12 g

DC METAL FACE INDUCTIVE PROXIMITY SWITCH

Diameter
● Shielded ○ non-Shielded
Switching Distance, Sn: mm
Housing Material
● With LED ○ Without LED



Operating Voltage	10-30VDC
Ripple	<10%
No Load Current	<10mA
Max. Load Current	200mA
Leakage Current	<0.01mA
Voltage Drop	<1.5V
Switching Frequency	2KHZ
Response Time	0.1ms/0.1ms
Switching Hysteresis	<15%(Sr)
Repeat Accuracy	<1.0%(Sr)
Protection Category	IP67
Operating Temperature	-25°C - +70°C
Temperature Drift	<10%(Sr)
Short Circuit Protection	YES
Overload Trip Point	220mA
Material Active Face	Stainless steel

DC 3 wire 10-30V NPN N.O.	P1C1F0801NOES4	1	P1C2F0802NOES4
DC 3 wire 10-30V NPN N.C.	P1C1F0801NCES4	2	P1C2F0802NCES4
DC 3 wire 10-30V PNP N.O.	P1C1F0801POES4	3	P1C2F0802POES4
DC 3 wire 10-30V PNP N.C.	P1C1F0801PCES4	4	P1C2F0802PCES4
DC 4 wire 10-30V Changeover PNP (N.O. & N.C.)			
DC 4 wire 10-30V Changeover NPN (N.O. & N.C.)			
DC 2 wire 10-60V N.O.			
DC 2 wire 10-60V N.C.			
DC 3 wire 10-55v NPN N.O.			
DC 3 wire 10-55v NPN N.C.			
DC 3 wire 10-55v PNP N.O.			
DC 3 wire 10-55v PNP N.C.			
DC 3 wire 5-36v NPN N.O.			
DC 3 wire 5-36v NPN N.C.			
DC 3 wire 5-36v PNP N.O.			
DC 3 wire 5-36v PNP N.C.			
AC/DC 4 wire 5-36v Changeover PNP (N.O. & N.C.)			
AC/DC 4 wire 5-36v Changeover NPN (N.O. & N.C.)			

Dimensions (unit: mm)

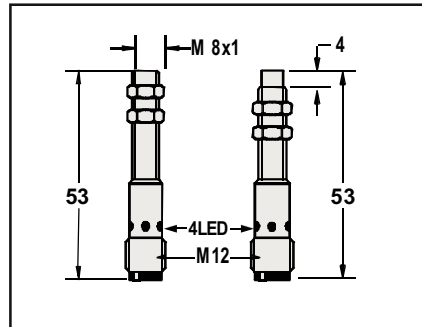
Cable 2M (PVC)
Weight

M 8	
● 1mm	○ 2mm
stainless steel	
●	



Operating Voltage	10-30VDC
Ripple	<10%
No Load Current	<10mA
Max. Load Current	200mA
Leakage Current	<0.01mA
Voltage Drop	<1.5V
Switching Frequency	2KHZ
Response Time	0.1ms/0.1ms
Switching Hysteresis	<15%(Sr)
Repeat Accuracy	<1.0%(Sr)
Protection Category	IP67
Operating Temperature	-25°C - +70°C
Temperature Drift	<10%(Sr)
Short Circuit Protection	YES
Overload Trip Point	220mA
Material Active Face	Stainless steel

DC 3 wire 10-30V NPN N.O.	P1C1F0801NOES4	1	P1C2F0802NOES4
DC 3 wire 10-30V NPN N.C.	P1C1F0801NCES4	2	P1C2F0802NCES4
DC 3 wire 10-30V PNP N.O.	P1C1F0801POES4	3	P1C2F0802POES4
DC 3 wire 10-30V PNP N.C.	P1C1F0801PCES4	4	P1C2F0802PCES4
DC 4 wire 10-30V Changeover PNP (N.O. & N.C.)			
DC 4 wire 10-30V Changeover NPN (N.O. & N.C.)			
DC 2 wire 10-60V N.O.			
DC 2 wire 10-60V N.C.			
DC 3 wire 10-55v NPN N.O.			
DC 3 wire 10-55v NPN N.C.			
DC 3 wire 10-55v PNP N.O.			
DC 3 wire 10-55v PNP N.C.			
DC 3 wire 5-36v NPN N.O.			
DC 3 wire 5-36v NPN N.C.			
DC 3 wire 5-36v PNP N.O.			
DC 3 wire 5-36v PNP N.C.			
AC/DC 4 wire 5-36v Changeover PNP (N.O. & N.C.)			
AC/DC 4 wire 5-36v Changeover NPN (N.O. & N.C.)			



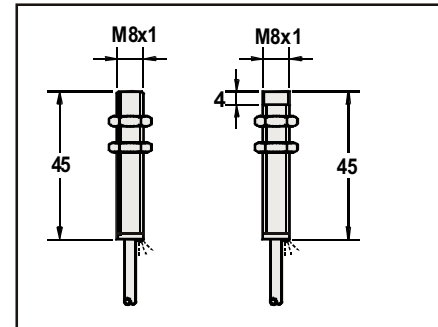
Weight	Approx. 17 g
--------	--------------

M 8	
● 2mm	○ 4mm
stainless steel	
●	



Operating Voltage	10-30VDC	
Ripple	<10%	
No Load Current	<10mA	
Max. Load Current	200mA	
Leakage Current	<0.01mA	
Voltage Drop	<1.5V	
Switching Frequency	2KHZ	1KHZ
Response Time	0.1ms/0.1ms	0.2ms/0.2ms
Switching Hysteresis	<15%(Sr)	
Repeat Accuracy	<1.0%(Sr)	
Protection Category	IP67	
Operating Temperature	-25°C - +70°C	
Temperature Drift	<10%(Sr)	
Short Circuit Protection	YES	
Overload Trip Point	220mA	
Material Active Face	Stainless steel	

DC 3 wire 10-30V NPN N.O.	P1C1F0802NO3A2	1	P1C2F0804NO3A2
DC 3 wire 10-30V NPN N.C.	P1C1F0802NC3A2	2	P1C2F0804NC3A2
DC 3 wire 10-30V PNP N.O.	P1C1F0802PO3A2	3	P1C2F0804PO3A2
DC 3 wire 10-30V PNP N.C.	P1C1F0802PC3A2	4	P1C2F0804PC3A2
DC 4 wire 10-30V Changeover PNP (N.O. & N.C.)			
DC 4 wire 10-30V Changeover NPN (N.O. & N.C.)			
DC 2 wire 10-60V N.O.			
DC 2 wire 10-60V N.C.			
DC 3 wire 10-55v NPN N.O.			
DC 3 wire 10-55v NPN N.C.			
DC 3 wire 10-55v PNP N.O.			
DC 3 wire 10-55v PNP N.C.			
DC 3 wire 5-36v NPN N.O.			
DC 3 wire 5-36v NPN N.C.			
DC 3 wire 5-36v PNP N.O.			
DC 3 wire 5-36v PNP N.C.			
AC/DC 4 wire 5-36v Changeover PNP (N.O. & N.C.)			
AC/DC 4 wire 5-36v Changeover NPN (N.O. & N.C.)			



Weight	3φ 3x0.15 Approx. 40 g
--------	---------------------------

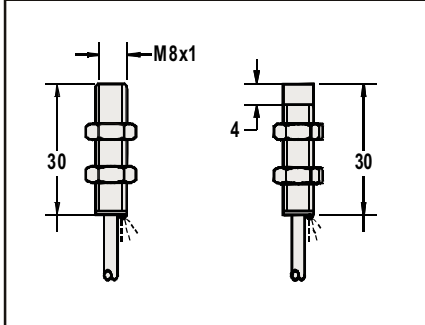
DC METAL FACE INDUCTIVE PROXIMITY SWITCH

M 8	
●	○
2mm	4mm
stainless steel	
●	



10-30VDC	
<10%	
<10mA	
200mA	
<0.01mA	
<1.5V	
2KHZ	1KHZ
0.1ms/0.1ms	0.2ms/0.2ms
<15%(Sr)	
<1.0%(Sr)	
IP67	
-25 °C - +70 °C	
<10%(Sr)	
YES	
220mA	
Stainless steel	

P1C1F0802N03S2	1	P1C2F0804N03S2	
P1C1F0802NC3S2	2	P1C2F0804NC3S2	
P1C1F0802PO3S2	3	P1C2F0804PO3S2	
P1C1F0802PC3S2	4	P1C2F0804PC3S2	



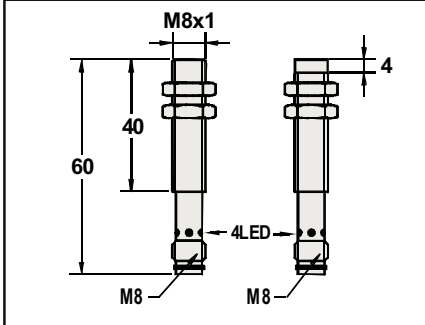
3 ∅ 3x0.15
Approx. 47 g

M 8	
●	○
2mm	4mm
stainless steel	
●	



10-30VDC	
<10%	
<10mA	
200mA	
<0.01mA	
<1.5V	
2KHZ	1KHZ
0.1ms/0.1ms	0.2ms/0.2ms
<15%(Sr)	
<1.0%(Sr)	
IP67	
-25 °C - +70 °C	
<10%(Sr)	
YES	
220mA	
Stainless steel	

P1C1F0802N0PA3	1	P1C2F0804N0PA3	
P1C1F0802NCPA3	2	P1C2F0804NCPA3	
P1C1F0802POPA3	3	P1C2F0804POPA3	
P1C1F0802PCPA3	4	P1C2F0804PCPA3	



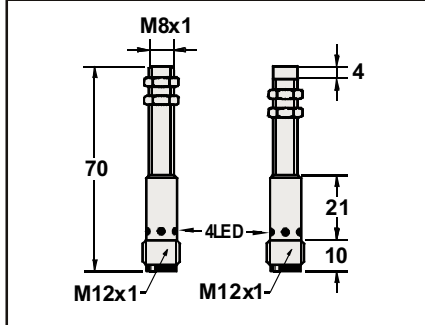
Approx. 15 g

M 8	
●	○
2mm	4mm
stainless steel	
●	



10-30VDC	
<10%	
<10mA	
200mA	
<0.01mA	
<1.5V	
2KHZ	1KHZ
0.1ms/0.1ms	0.2ms/0.2ms
<15%(Sr)	
<1.0%(Sr)	
IP67	
-25 °C - +70 °C	
<10%(Sr)	
YES	
220mA	
Stainless steel	

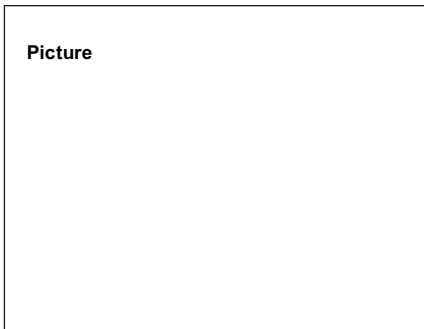
P1C1F0802N0EA4	1	P1C2F0804N0EA4	
P1C1F0802NCEA4	2	P1C2F0804NCEA4	
P1C1F0802POEA4	3	P1C2F0804POEA4	
P1C1F0802PCEA4	4	P1C2F0804PCEA4	



Approx. 22 g

DC METAL FACE INDUCTIVE PROXIMITY SWITCH

Diameter
● Shielded ○ non-Shielded
Switching Distance, Sn: mm
Housing Material
● With LED ○ Without LED



Operating Voltage	10-30VDC
Ripple	<10%
No Load Current	<10mA
Max. Load Current	200mA
Leakage Current	<0.01mA
Voltage Drop	<1.5V
Switching Frequency	2KHZ 1KHZ
Response Time	0.1ms/0.1ms 0.2ms/0.2ms
Switching Hysteresis	<15%(Sr)
Repeat Accuracy	<1.0%(Sr)
Protection Category	IP67
Operating Temperature	-25°C - +70°C
Temperature Drift	<10%(Sr)
Short Circuit Protection	YES
Overload Trip Point	220mA
Material Active Face	Stainless steel

DC 3 wire 10-30V NPN N.O.	P1C1F0802NOPS3	1	P1C2F0804NOPS3
DC 3 wire 10-30V NPN N.C.	P1C1F0802NCPS3	2	P1C2F0804NCPS3
DC 3 wire 10-30V PNP N.O.	P1C1F0802POPS3	3	P1C2F0804POPS3
DC 3 wire 10-30V PNP N.C.	P1C1F0802PCPS3	4	P1C2F0804PCPS3
DC 4 wire 10-30V Changeover PNP (N.O. & N.C.)			
DC 4 wire 10-30V Changeover NPN (N.O. & N.C.)			
DC 2 wire 10-60V N.O. *			
DC 2 wire 10-60V N.C. *			
DC 3 wire 10-55v NPN N.O.			
DC 3 wire 10-55v NPN N.C.			
DC 3 wire 10-55v PNP N.O.			
DC 3 wire 10-55v PNP N.C.			
DC 3 wire 5-36v NPN N.O.			
DC 3 wire 5-36v NPN N.C.			
DC 3 wire 5-36v PNP N.O.			
DC 3 wire 5-36v PNP N.C.			
AC/DC 4 wire 5-36v Changeover PNP (N.O. & N.C.)			
AC/DC 4 wire 5-36v Changeover NPN (N.O. & N.C.)			

Dimensions (unit: mm)
* : DC 2 wire 10-60V specifications see page 178. Other is same.

Cable 2M (PVC)
Weight

M 8	
●	○
2 mm	4 mm
stainless steel	
●	



Operating Voltage	10-30VDC
Ripple	<10%
No Load Current	<10mA
Max. Load Current	200mA
Leakage Current	<0.01mA
Voltage Drop	<1.5V
Switching Frequency	2KHZ 1KHZ
Response Time	0.1ms/0.1ms 0.2ms/0.2ms
Switching Hysteresis	<15%(Sr)
Repeat Accuracy	<1.0%(Sr)
Protection Category	IP67
Operating Temperature	-25°C - +70°C
Temperature Drift	<10%(Sr)
Short Circuit Protection	YES
Overload Trip Point	220mA
Material Active Face	Stainless steel

DC 3 wire 10-30V NPN N.O.	P1C1F0802NOPS3	1	P1C2F0804NOPS3
DC 3 wire 10-30V NPN N.C.	P1C1F0802NCPS3	2	P1C2F0804NCPS3
DC 3 wire 10-30V PNP N.O.	P1C1F0802POPS3	3	P1C2F0804POPS3
DC 3 wire 10-30V PNP N.C.	P1C1F0802PCPS3	4	P1C2F0804PCPS3
DC 4 wire 10-30V Changeover PNP (N.O. & N.C.)			
DC 4 wire 10-30V Changeover NPN (N.O. & N.C.)			
DC 2 wire 10-60V N.O. *			
DC 2 wire 10-60V N.C. *			
DC 3 wire 10-55v NPN N.O.			
DC 3 wire 10-55v NPN N.C.			
DC 3 wire 10-55v PNP N.O.			
DC 3 wire 10-55v PNP N.C.			
DC 3 wire 5-36v NPN N.O.			
DC 3 wire 5-36v NPN N.C.			
DC 3 wire 5-36v PNP N.O.			
DC 3 wire 5-36v PNP N.C.			
AC/DC 4 wire 5-36v Changeover PNP (N.O. & N.C.)			
AC/DC 4 wire 5-36v Changeover NPN (N.O. & N.C.)			

Dimensions (unit: mm)
* : DC 2 wire 10-60V specifications see page 178. Other is same.

Cable 2M (PVC)
Weight

M 8	
●	○
2mm	4mm
stainless steel	
●	



Operating Voltage	10-30VDC
Ripple	<10%
No Load Current	<10mA
Max. Load Current	200mA
Leakage Current	<0.01mA
Voltage Drop	<1.5V
Switching Frequency	2KHZ 1KHZ
Response Time	0.1ms/0.1ms 0.2ms/0.2ms
Switching Hysteresis	<15%(Sr)
Repeat Accuracy	<1.0%(Sr)
Protection Category	IP67
Operating Temperature	-25°C - +70°C
Temperature Drift	<10%(Sr)
Short Circuit Protection	YES
Overload Trip Point	220mA
Material Active Face	Stainless steel

DC 3 wire 10-30V NPN N.O.	P1C1F0802NOES4	1	P1C2F0804NOES4
DC 3 wire 10-30V NPN N.C.	P1C1F0802NCES4	2	P1C2F0804NCES4
DC 3 wire 10-30V PNP N.O.	P1C1F0802POES4	3	P1C2F0804POES4
DC 3 wire 10-30V PNP N.C.	P1C1F0802PCES4	4	P1C2F0804PCES4
DC 4 wire 10-30V Changeover PNP (N.O. & N.C.)			
DC 4 wire 10-30V Changeover NPN (N.O. & N.C.)			
DC 2 wire 10-60V N.O. *			
DC 2 wire 10-60V N.C. *			
DC 3 wire 10-55v NPN N.O.			
DC 3 wire 10-55v NPN N.C.			
DC 3 wire 10-55v PNP N.O.			
DC 3 wire 10-55v PNP N.C.			
DC 3 wire 5-36v NPN N.O.			
DC 3 wire 5-36v NPN N.C.			
DC 3 wire 5-36v PNP N.O.			
DC 3 wire 5-36v PNP N.C.			
AC/DC 4 wire 5-36v Changeover PNP (N.O. & N.C.)			
AC/DC 4 wire 5-36v Changeover NPN (N.O. & N.C.)			

Dimensions (unit: mm)
* : DC 2 wire 10-60V specifications see page 178. Other is same.

Cable 2M (PVC)
Weight