




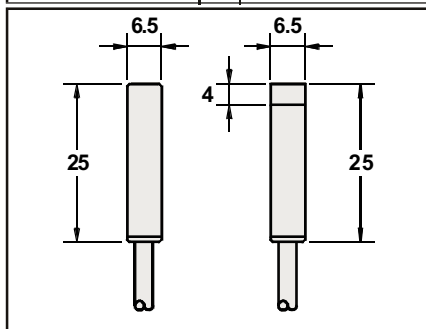
NAMUR INDUCTIVE PROXIMITY SWITCH

ϕ 6.5	
	
1 mm	2 mm
stainless steel or nickel plated brass	
	






6-12VDC	
-	
>2.2mA(OFF)	<1.1mA(ON)
2 KHZ	1 KHZ
0.05ms/0.05ms	0.1ms/0.1ms
<15%(Sr)	
-	
IP67	
-25 °C - +70 °C	
<2%(Sr)	
-	
<10ms	
RFI>3V/m / EFT>1KV / ESD>4KV (contact)	
IEC 60947-5-2,Part 7.4.1 / IEC 60947-5-2,Part 7.4.2	
POM	

P6D1S0601NA	19	P6 D2S06 02NA	



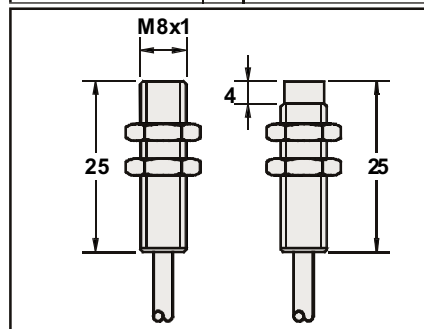
3 ϕ 2x0.15
Approx. .26 g

M 8	
	
1 mm	2 mm
stainless steel or nickel plated brass	
	






6-12VDC	
-	
>2.2mA(OFF)	<1.1mA(ON)
2 KHZ	1 KHZ
0.05ms/0.05ms	0.1ms/0.1ms
<15%(Sr)	
-	
IP67	
-25 °C - +70 °C	
<2%(Sr)	
-	
<10ms	
RFI>3V/m / EFT>1KV / ESD>4KV (contact)	
IEC 60947-5-2,Part 7.4.1 / IEC 60947-5-2,Part 7.4.2	
POM	

P6C 1B080 1NA	19	P6C2 B0802NA	



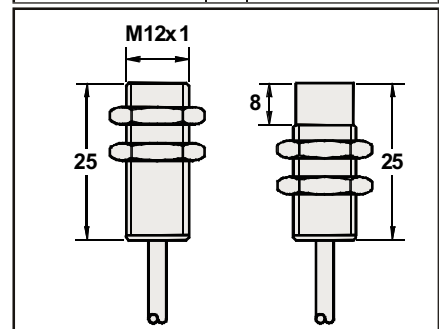
3 ϕ 2x0.15
Approx. .34 g

M 12	
	
2 mm	4 mm
stainless steel or nickel plated brass	
	



6-12VDC	
-	
>2.2mA(OFF)	<1.1mA(ON)
1 KHZ	0.5 KHZ
0.1ms/0.1ms	0.2ms/0.2ms
<15%(Sr)	
-	
IP67	
-25 °C - +70 °C	
<2%(Sr)	
-	
<10ms	
RFI>3V/m / EFT>1KV / ESD>4KV (contact)	
IEC 60947-5-2,Part 7.4.1 / IEC 60947-5-2,Part 7.4.2	
POM PBT	

P6C1B1202NA	19	P6C2B1204NA	



4 ϕ 2x0.15
Approx. .42 g Approx. .41 g