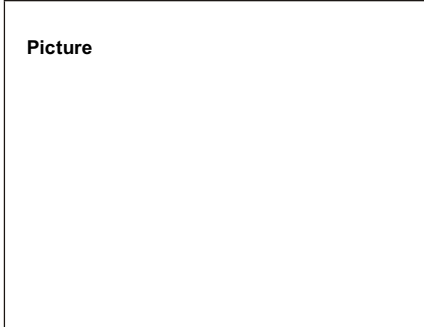


MIN Q SERIES MICRO-PROXIMITY SENSOR DC 3-WIRE TYPE

Diameter
● Shielded ○ non-Shielded
Switching Distance, Sn: mm
Housing Material
● With LED ○ Without LED



Operating Voltage
Ripple
No Load Current
Max. Load Current
Leakage Current
Voltage Drop
Switching Frequency
Response Time
Switching Hysteresis
Repeat Accuracy
Protection Category
Operating Temperature
Temperature Drift
Short Circuit Protection
Overload Trip Point
Material Active Face

DC 3 wire 10-30V NPN N.O.
DC 3 wire 10-30V NPN N.C.
DC 3 wire 10-30V PNP N.O.
DC 3 wire 10-30V PNP N.C.
DC 4 wire 10-30V Changeover PNP (N.O. & N.C.)
DC 4 wire 10-30V Changeover NPN (N.O. & N.C.)
DC 2 wire 10-60V N.O.
DC 2 wire 10-60V N.C.
DC 3 wire 10-55v NPN N.O.
DC 3 wire 10-55v NPN N.C.
DC 3 wire 10-55v PNP N.O.
DC 3 wire 10-55v PNP N.C.
DC 3 wire 5-36V NPN N.O.
DC 3 wire 5-36V NPN N.C.
DC 3 wire 5-36V PNP N.O.
DC 3 wire 5-36V PNP N.C.
DC 4 wire 5-36V Changeover PNP (N.O. & N.C.)
DC 4 wire 5-36V Changeover NPN (N.O. & N.C.)

Dimensions (unit: mm)

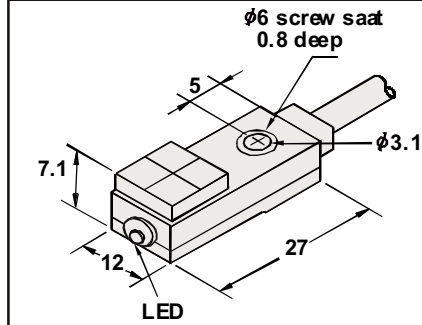
Cable 2M (PVC)
Weight

Q12
○
2mm
Poly carbonate
●



10-30VDC
<10%
<10mA
100mA
<0.01mA
<1.5V
500HZ
0.5ms/0.5ms
<15%(Sr)
<0.04mm
IP67
-25 °C - +70 °C
<10%(Sr)
YES
120mA
Polycarbonate

P1S2P1202NO3A2/F	1
P1S2P1202NC3A2/F	2
P1S2P1202PO3A2/F	3
P1S2P1202PC3A2/F	4



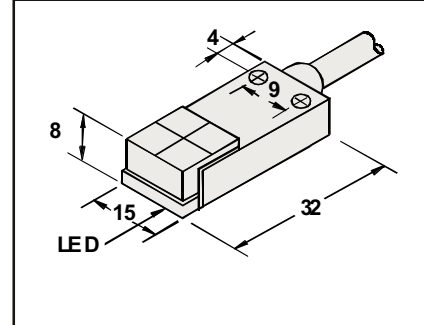
2.7 φ3x0.15 PUR
approx.20 g

Q15
○
4m m
Poly carbonate
●



10-30VDC
<10%
<10mA
100mA
<0.01mA
<1.5V
250HZ
0.5ms/0.5ms
<15%(Sr)
<0.04mm
IP67
-25 °C - +70 °C
<10%(Sr)
YES
120mA
Polycarbonate

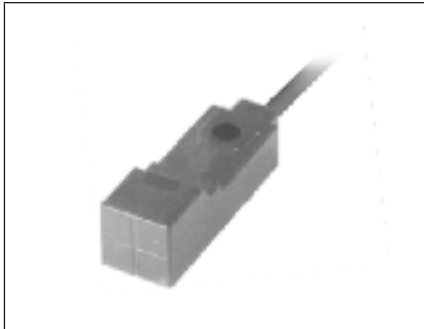
P1S2P1504NO3A2/F	1
P1S2P1504NC3A2/F	2
P1S2P1504PO3A2/F	3
P1S2P1504PC3A2/F	4



3 φ3x0.15
approx.20 g

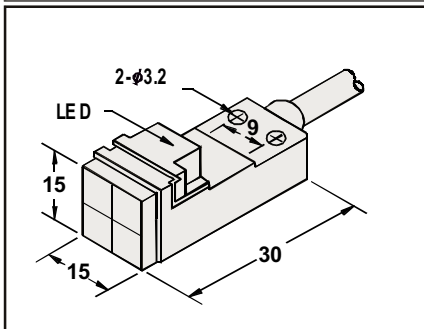
MIN Q SERIES MICRO-PROXIMITY SENSOR DC 3-WIRE TYPE

Q15
○
4mm
Polycarbonate
●



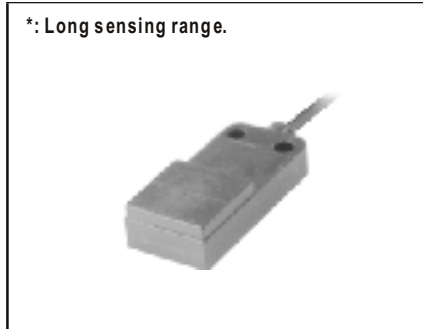
10 -30VDC
<10%
<10mA
100mA
<0.01mA
<1.5V
250HZ
0.5ms/0.5ms
<15%(Sr)
<0.04mm
IP67
-25 ° C - +70 ° C
<10%(Sr)
YES
120mA
Polycarbonate

P1S2P1504NO3A2/T	1
P1S2P1504NC3A2/T	2
P1S2P1504PO3A2/T	3
P1S2P1504PC3A2/T	4



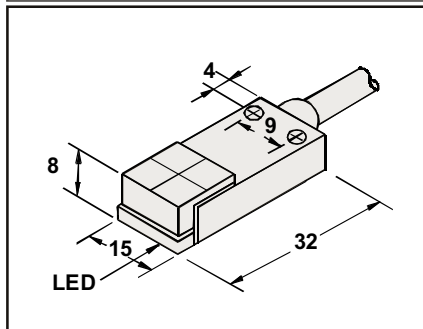
3φ 3x0.15
approx.20 g

Q15
○
6.4mm
Polycarbonate
●



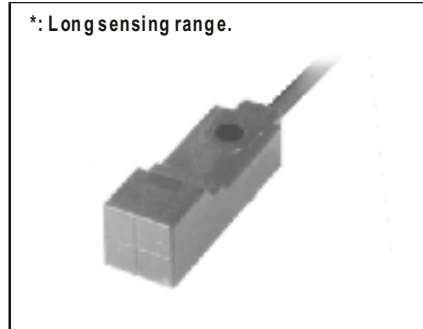
10 -30VDC
<10%
<10mA
100mA
<0.01mA
<1.5V
250HZ
0.5ms/0.5ms
<15%(Sr)
<0.04mm
IP67
-25 ° C - +70 ° C
<10%(Sr)
YES
120mA
Polycarbonate

P1S2P156.4NO3A2/F	1
P1S2P156.4NC3A2/F	2
P1S2P156.4PO3A2/F	3
P1S2P156.4PC3A2/F	4



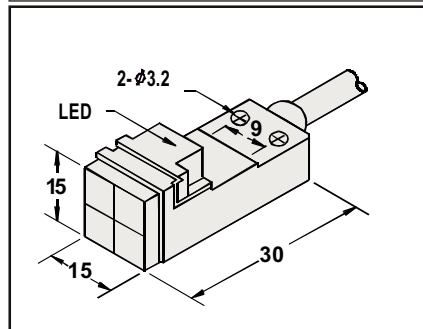
3φ 3x0.15
approx.20 g

Q15
○
6.4mm
Polycarbonate
●



10 -30VDC
<10%
<10mA
100mA
<0.01mA
<1.5V
250HZ
0.5ms/0.5ms
<15%(Sr)
<0.04mm
IP67
-25 ° C - +70 ° C
<10%(Sr)
YES
120mA
Polycarbonate

P1S2P156.4NO3A2/T	1
P1S2P156.4NC3A2/T	2
P1S2P156.4PO3A2/T	3
P1S2P156.4PC3A2/T	4



3φ 3x0.15
approx.20 g