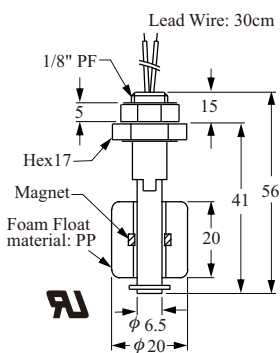


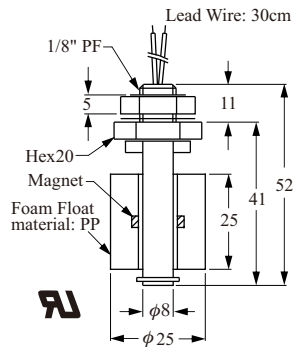
PLASTIC OV TYPES

▶ FC V11QF



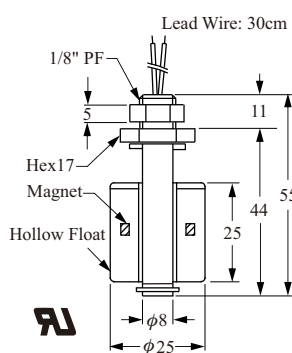
Washer: NBR
Drill hole ϕ 10mm

▶ FC V21QD



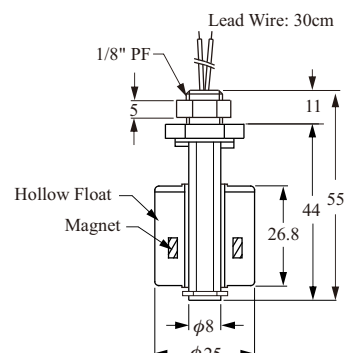
Washer: NBR
Drill hole ϕ 10mm

▶ FC V31PD



O-ring: VITON
Drill hole ϕ 10mm

▶ FC V33FD, 34YD, 35GD



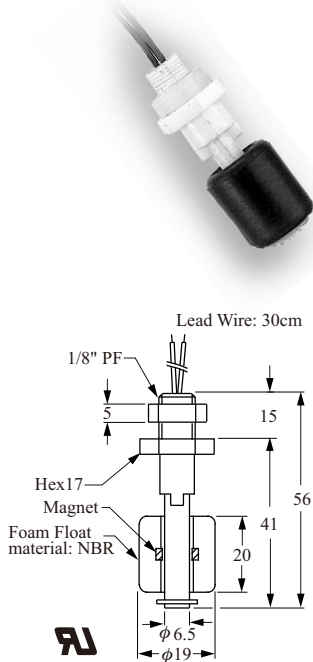
O-ring: VITON
Drill hole ϕ 10mm

■ SPECIFICATIONS

Description	Type	FC V11QF	FC V21QD	FC V31PD	FC V33FD	FC V34YD	FC V35GD
Switching Capacity Max.		10W SPST	50W SPST	50W SPST			
Switching Voltage Max.		125Vac	240Vac / 200Vdc	240Vac / 200Vdc			
Switching Current Max. (A)		0.5A		0.5A			
Carry Current Max. (A)		1A		1A			
Lead Wire		UL 1007 AWG22 PVC		UL 1007 AWG22 PVC	XLPE AWG22		
Reversible Switch Action		NO	YES/ 80°C down	YES/ 80°C down			
Max. Pressure (Kg/cm ²)		ATM		4 kg/cm ²	2 kg/cm ²		
Operating Temperature		-20~80°C		-20~80°C	-20~120°C		
Material		PP		PP	PVDF	Nylon	Polysuphone
Suitable Specific Gravity		0.7		0.7	0.85	0.8	0.75
Weight (g)		12 g	18 g	12.8 g	18 g	15 g	18 g

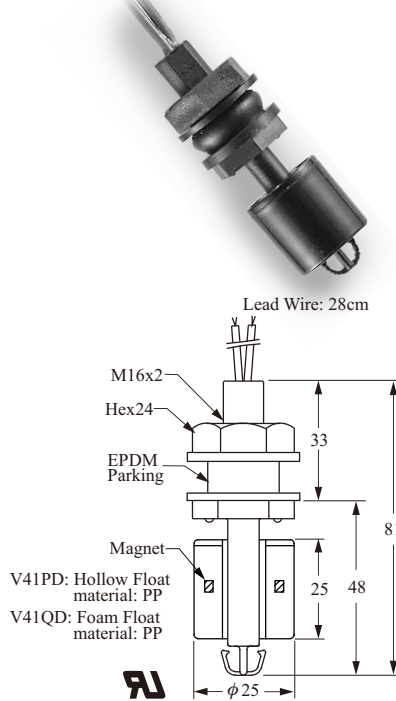
PLASTIC OV TYPES

▶ FC V11NF



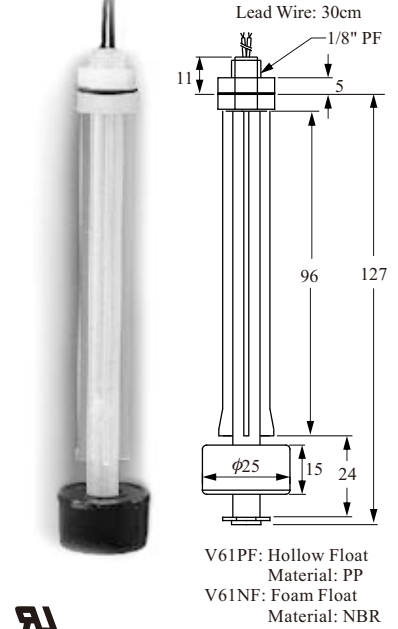
Washer: NBR
Drill hole $\phi 10\text{mm}$

▶ FC V41PD, V41QD



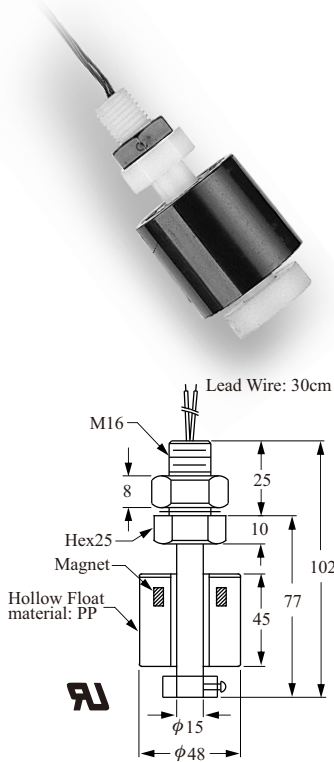
Washer: NBR
Drill hole $\phi 16\text{mm}$

▶ FC V61PF, V61NF



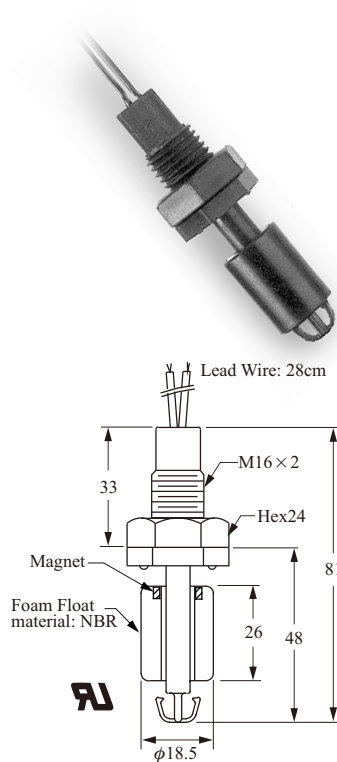
Washer: NBR
Drill hole $\phi 10\text{mm}$

▶ FC V81PD



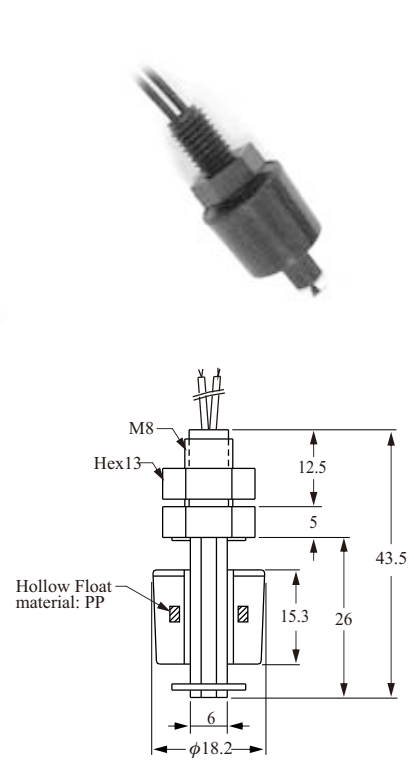
Washer: NBR
Drill hole $\phi 16\text{mm}$

▶ FC V41ND



Washer: NBR
Drill hole $\phi 16\text{mm}$

▶ FC V51PD

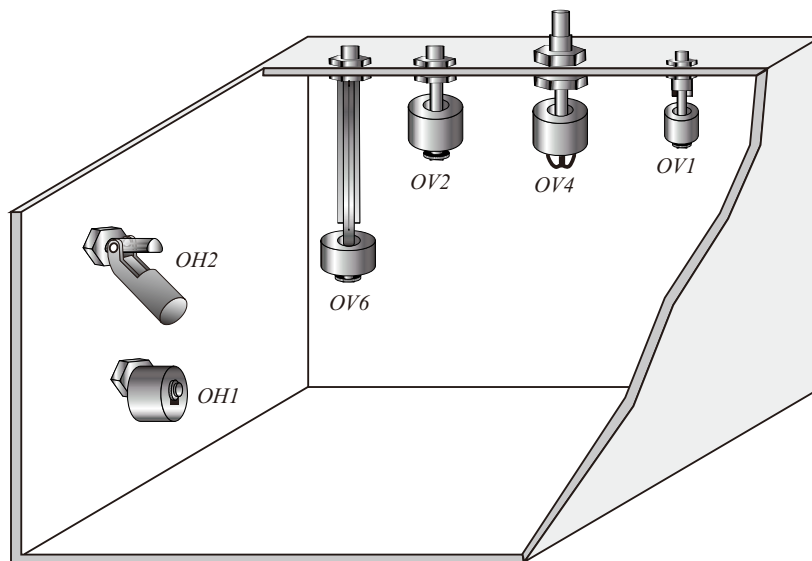


O-Ring: VITON
Drill hole $\phi 8.5\text{mm}$

PLASTIC OV TYPES

■ SPECIFICATIONS

Description \ Type	FC V11NF	FC V61PF FC V61NF	FC V41PD FC V41QD	FC V81PD	FC V41ND	FC V51PD
Switching Capacity Max.	10W SPST		50W SPST			
Switching Voltage Max.	125Vac (Break Down 250Vac)		240Vac / 200Vdc			
Switching Current Max. (A)	0.5A					
Carry Current Max. (A)	1A —					
Lead Wire	XLPE AWG22	UL 1007 AWG22 PVC				
Reversible Switch Action	NO	NO	YES	NO	NO	NO
Max. Pressure (kg/cm ²)	ATM	V61P: 4kg/cm ² V61N: ATM	V41P: 4kg/cm ² V41Q: ATM	4 kg/cm ²	ATM	4 kg/cm ²
Operating Temperature	-20~80°C					-20 ~100°C
Material	PP (except V11N, V61N, V41N: NBR float)					
Suitable Specific Gravity	0.8	0.65 0.5	0.55 0.7	0.6	0.8	0.8
Weight (g)	11 g	16 g	23 g	180 g	17 g	8.2 g



ORDER INFORMATION FOR PLASTIC OH/OV TYPES

FC V2 3 F D A (05 P)

Order No./ Model _____

FC H1~H6: RF-OH Side Mounting
 FC V1~V9: RF-OV Top or bottom Mounting


Material of Wetted parts _____

1 : PP 5 : Polysuphone
 3 : PVDF 6 : PPS
 4 : Nylon

Material of Float _____

F :PVDF P :PP (hollow) K :PPS
 N :NBR Q :PP (foam)
 G :Polysuphone Y : Nylon
 (Unsuitable for use in water application for long term)

Switching Capacity Max. _____

D : 50W 240Vac /200Vdc SPST 
 F : 10W 125Vac SPST
 K : 20W 150Vac/200Vdc SPDT

Contact Form _____

A : Normally Open (N.O.) SPST
 B : Normally Close (N.C.) SPST
 C : 1AB SPDT
 D : NC Reversible
 E : NO Reversible

Lead wire Length (Unit=100mm) _____

05: 500mm (below 500mm) ※ 500mm per Unit
 10: 1000mm (501~1000) ※ 300mm (Standard length)
 15: 1500mm (1001~1500)
 ⋮

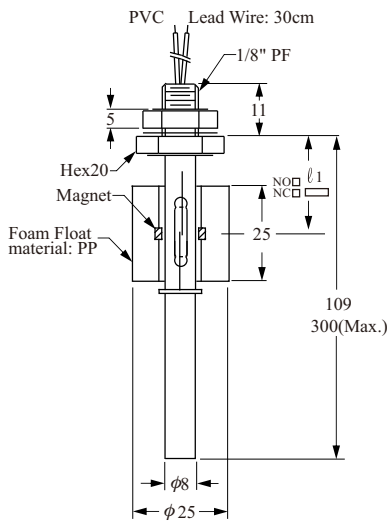
Material of Lead wire _____

B: PVC (80°C) ---- AWG24
 C: PVC cable (80°C) ---- AWG22 X φ4
 D: XLPVC (105°C) ---- AWG24
 F: SILICON cable (200°C) ---- AWG24 X φ4
 P: PVC (80°C) ---- AWG22
 T: TEFLON (200°C) ---- AWG24
 X: XLPE (125°C) ---- AWG22
 S: Others

※ "A" (Normal Open) contact form is our standard specified switch activation, others contact form and target lead wire length subject to above data, except of above, please refer pages 6, 7, 9, 10 and 12.

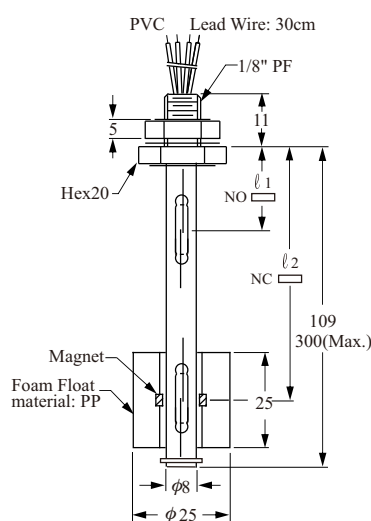
PLASTIC SPECIAL TYPES

▶ FC PV1



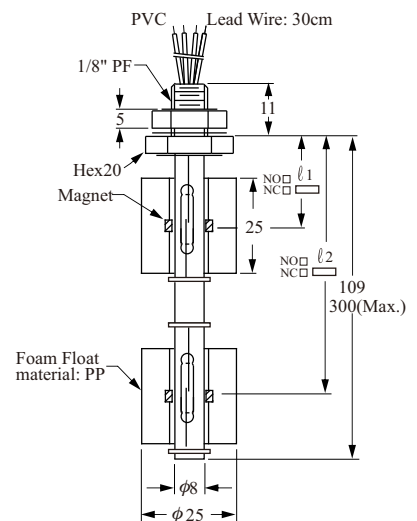
O-Ring: VITON

▶ FC PV2



O-Ring: VITON

▶ FC PV3



O-Ring: VITON

● NOTE: Float material can be optional.

Above items are done by custom-built when the standard specification is unable to be coped with their unique demand. There are with below special benefits:

- FCPV1 One float for one level activation switch location by custom-order.
- FCPV2 One float with 2 reed switches, applicable for high / low two level activation, especial design by one float to drive two contacts activation.
- FCPV3 Two floats drive with two independent reed switches, the compared difference with FCPV2 base on below character : Each one float unit can be performed by N.O. or N.C. level activation as per customer's option.

ORDER INFORMATION FOR PLASTIC SPECIAL TYPE

FC **PV1** **2** **D** **A** (**05** **P**)

Order No./ Model _____

PV1: RF-PV1 Vertical Mounting, Single Float Single Switch

PV2: RF-PV2 Vertical Mounting, Single Float Dual Switch

PV3: RF-PV3 Vertical Mounting, Dual Float Dual Switch

Material of Wetted parts _____

1 : PP; Lead wire---PVC---Temp. 80°C

2 : NBR (only float); Lead wire---PVC---Temp. 60°C
Lead wire---XLPE---Temp. 100°C

3 : PVDF; Lead wire---XLPE---Temp. 125°C

4 : Nylon; Lead wire---XLPE---Temp. 125°C
(Unsuitable for use in water application for long term)

Switching Capacity Max. _____

D: 50W 240Vac /200Vdc SPST 

F: 10W 125Vac SPST

K: 20W 150Vac/200Vdc SPDT

Contact Form _____

A: Normally Open (N.O.) SPST

B: Normally Close (N.C.) SPST

C: SPDT

F: 1 float 2 points.

H: 1-N.O., 1-N.C.(2 floats)

Lead wire Length (Unit=100mm) _____

05: 500mm (below 500mm) ※ 500mm per Unit

10: 1000mm (501~1000mm) ※ 300mm (Standard length)

15: 1500mm (1001~1500mm)

⋮

Material of Lead wire _____

C: PVC cable (80°C) ---- AWG22 X ϕ 4

P: PVC (80°C) ---- AWG22 (Standard)

X: XLPE (125°C) ---- AWG22