

AMQ5 Dual Power Automatic Transfer Switch

1. Application



AMQ5-100/4P

AMQ5 Series automatic transfer switch (transfer switch) is developed successfully with the help of the most advanced ATS technology in the world. This kind of transfer switch and intelligent display mated with it are mainly applied in the occasions required uninterrupted power supply like building, posts and telecommunications, mine industry, shipping and military industry. Under the necessary trend of urban power service increasing, it can meet the higher requirements of the reliable power service. This product has many features like reliable performance, small volume and simple operating etc.

2. Main function

With safe and reliable interlocking function, when the breaker is under closing state, the breaker cannot be plugged in or drawn out, you must open the breaker first to plug in or pull out. With function of reliable making and breaking main circuit and secondary circuit, besides, the device possesses self-locking function.

When you draw out the breaker, the device has safe insulating isolation (your finger will not touch with the charged parts).

The breaker can be mounted with various rotating manual operating mechanism and motor operating mechanism.



AMQ5-250/4P

3. Specification

Type		AMQ5											
Type AMQ5(Three-step type)		AMQ5-100	AMQ5-250	AMQ5-400	AMQ5-630	AMQ5-800							
Rated voltage		AC690V DC125V											
Rated current		100A	250A	400A	630A	800A							
Number of cutting in		Double cut-in											
Connecting * mode		In front of panel and at back of panel (Non standard * product)											
Operat- ing current	DC110V (A)	3	3	4	3	4	5	5	5	7	6	6	6
	AC100V/110V (A)	3	3	4	3	4	5	5	5	7	6	6	6
	AC200V/220V (A)	1.5	1.5	2	1.5	2	2.5	2.5	2.5	3.5	3	3	3
Trip current	DC110V	1A			1.5A			2A					
	AC100V/110V	1A			1.5A			2A					
	AC200V/220V	0.5A			0.7A			1A					
Perform- ance	Short-time withstanding current	5kA	10kA	12kA	15kA								
	Rated conditional short-circuit current	12.5kA	25kA	30kA	37.5kA								
	Making and breaking capacity		AC-33B(10Ie making 8Ie opening) cosΦ=0.35 DC-33B 1.1Ie making 1.1Ie opening L/R=1ms										
	Changeover time	A power side	Cut in	55ms	55ms	60ms	100ms						
			Cut off	20ms	20ms	25ms	30ms						
		B power side	Cut in	80ms	80ms	90ms	135ms						
Cut off			20ms	20ms	25ms	30ms							
Service life		With 2500 times of electric life with 10000 times(120 times/hour) of mechanical life											
Operation circle time		120 time/hour											
Auxiliary switch		A source 1C B source 1C switch capacity AC100V5A AC200V2.5A DC100V0.5A											
Accessory		Protective cover breakthrough absorber manual handle											

Type		AMQ5																
Type AMQ5 (Three-step type)		AMQ5-1000			AMQ5-1250			AMQ5-1600			AMQ5-2000		AMQ5-3150		AMQ5-4000			
Rated voltage		AC690V DC125V									AC690V							
Rated current		1000A			1250A			1600A			2000A		3150A		4000A			
Number of cutting in		Double cut-in																
Connecting * mode		At the back of panel in the front of panel									At the back of panel							
Number of pole		2P	3P	4P	2P	3P	4P	2P	3P	4P	2P	3P	4P	2P	3P	4P	3P	
Weight(kg)		30(40)	39(54)	49(64)	31(45)	40(56)	51(66)	36(50)	47(62)	59(74)	95	115	135	110	150	190	207	
Operating current	DC110V (A)	6	6	8	6	6	8	7	8	9	8	10	12	10	12	14	16	
	AC100V/110V (A)	6	6	8	6	6	8	7	8	9	8	10	12	10	12	14	16	
	AC200V/220V (A)	3	3	4	3	3	4	3.5	4	4.5	4	5	6	7	8	7	8	
Trip current	DC110V	2A									4A							
	AC100V/110V	2A									4A							
	AC200V/220V	1A									1A							
Performance	Short-time withstanding current	22kA						25kA			35kA		50kA		50kA			
	Rated conditional short-circuit current	50kA						55kA			55kA		80kA		100kA			
	Making and breaking capacity	AC-33B(10Ie making 8Ie opening) cosØ=0.35 DC-33B 1.1Ie making 1.1Ie opening/L/R=1ms									AC2(Ie making Ie opening) cosØ=0.65							
	Changeover time	A power side	Cut in	115ms						115ms			180ms		140ms		200ms(190)	
			Cut off	25ms						25ms			25ms		30ms		30ms(30)	
		B power side	Cut in	145ms						150ms			220ms		190ms		220ms(240)	
			Cut off	25ms						25ms			25ms		30ms		30ms(30)	
Service life																		
Operation circle time		120 times/hour									30 times/hour							
Auxiliary switch		A source 1C B source 1C switch capacity AC100V5A AC200V2.5A DC100V0.5A																
Accessory		Protective cover breakthrough absorber manual handle																

Note: At DC operating occasion, the construction of circuit is almost same. Please operate according to DC operating order.

1. The weight in the bracket is stuck on the product surface.
2. The capacity of N pole contact is 2000A for product with 4000A and 4P.

Main technical index of AMQ5 with two steps

Type		AMQ5											
Type AMQ5 (Two-step type)		AMQ5-125					AMQ5-250			AMQ5-400			
Rated voltage		AC690V DC125V											
Rated current		40A,63A,100A,125A					160A,200A,225A,250A			350A,400A			
Number of cutting in		Double cut-in											
Connecting * mode		In front of panel and at back of panel											
Operating current	DC110V (A)	3	3	4	3	4	5	5	5	7			
	AC100V/110V (A)	3	3	4	3	4	5	5	5	7			
	AC200V/220V (A)	1.5	1.5	2	1.5	2	2.5	2.5	2.5	3.5			
Trip current	DC110V	1A							1.5A				
	AC100V/110V	1A							1.5A				
	AC200V/220V	0.5A							0.7A				
Performance	Short-time withstanding current	5kA					10kA			12kA			
	Rated conditional short-circuit current	12.5kA					25kA			30kA			
	Making and breaking capacity	AC-33B(10Ie making 8Ie opening) cosØ=0.35 DC-33B 1.1Ie making 1.1Ie opening/L/R=1ms											
	Changeover time	A power side	Cut in	55ms					55ms			60ms	
			Cut off	20ms					20ms			25ms	
		B power side	Cut in	80ms					80ms			90ms	
			Cut off	20ms					20ms			25ms	
Service life													
Operation circle time		120 times/hour											
Auxiliary switch		A source 1C B source 1C switch capacity AC100V5A AC200V2.5A DC100V0.5A											
Accessory													

Note: The occasion for DC operation has the same circuit, only little different. Please operate it according to Dc operation direction.

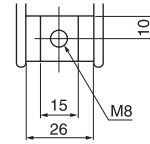
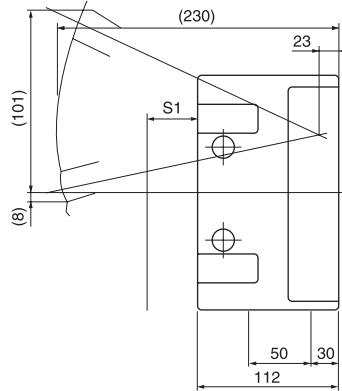
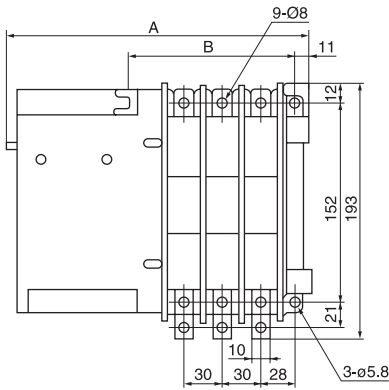
The two-step type belongs to an economic type, and

The outline size of 100A and 125A grades has the same size with three-step.

The outline size of 160A,200A,225A and 250A grades has the same size with three-step.

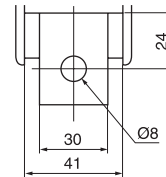
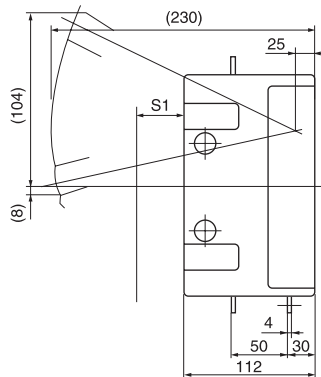
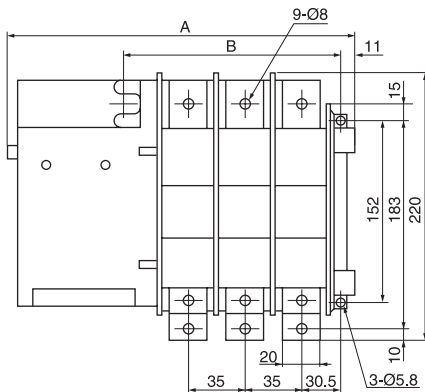
The outline size of 350A and 400A grades has the same size with three-step.

4. Outline and Installation Dimensions



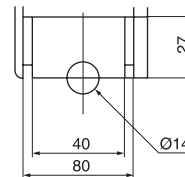
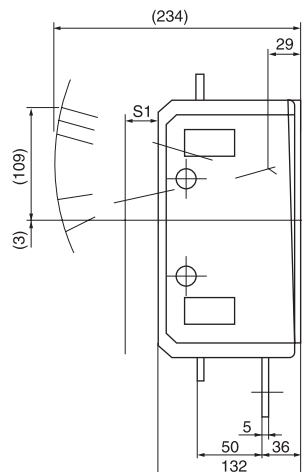
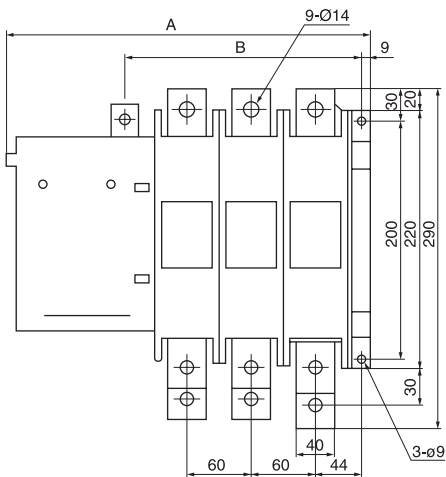
	A	B
2P	209	103
3P	239	133
4P	269	163

AMQ5-100A



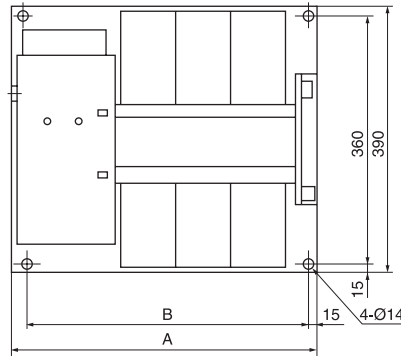
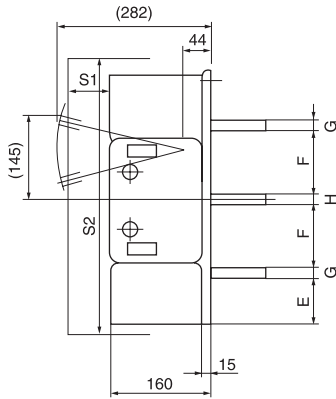
	A	B
2P	219	113
3P	254	148
4P	289	183

AMQ5-250A



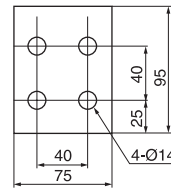
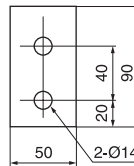
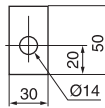
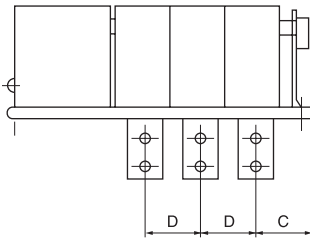
	A	B
2P	280	164
3P	340	224
4P	400	284

AMQ5-400A



Type	630A,800A	1000A,1250A	1600A	
A	2P	340	370	410
	3P	405	450	510
	4P	470	530	610
B	2P	310	340	380
	3P	375	420	480
	4P	440	500	580
C	80	88	97.5	
D	65	80	100	
E	60	60	57	
F		117.5		
G	10/15	12/15	15	
H		15		

S1: 45mm(400V), 90mm(690V)
A2: 430mm(400V), 450mm(690V)

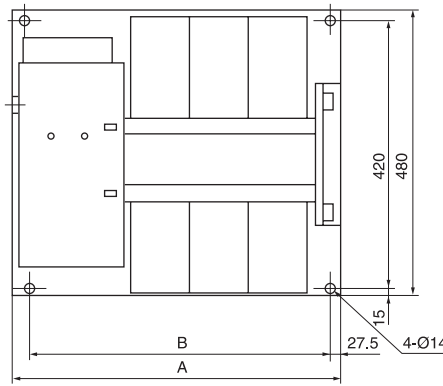
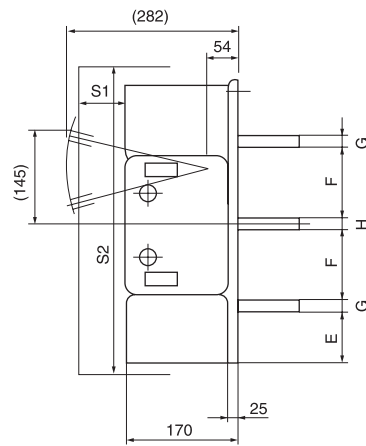


630A
800A

1000A
1250A

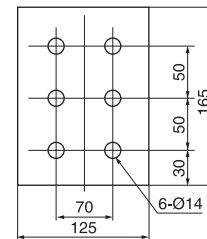
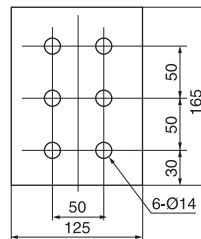
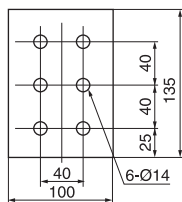
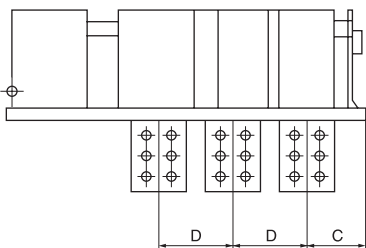
1600A

AMQ5-630~1600A



Type	2000A	2500A	3150A	4000A	
A	2P	540	540	640	
	3P	650	650	915	915
	4P	845	850	1155	1155
B	2P	500	500	600	
	3P	595	585	860	860
	4P	790	790	1100	1100
C	130	130	135	135	
D	135	135	240	240	
E	75	75	75	75	
F	117.5	117.5	117.5	117.5	
G	15	20	20	20	
H	15	20	20	20	

S1: 50mm(400V), 100mm(690V)
A2: 560mm(400V), 600mm(690V)



2000A

3150A

4000A

AMQ5-2000~4000A