

MAIN FEATURES

Thanks to the stainless steel enclosure, the encoder is suitable for food and beverage machinery, cranes and winches for ships, offshore applications, washing systems and all those environments where high corrosion resistance is required.

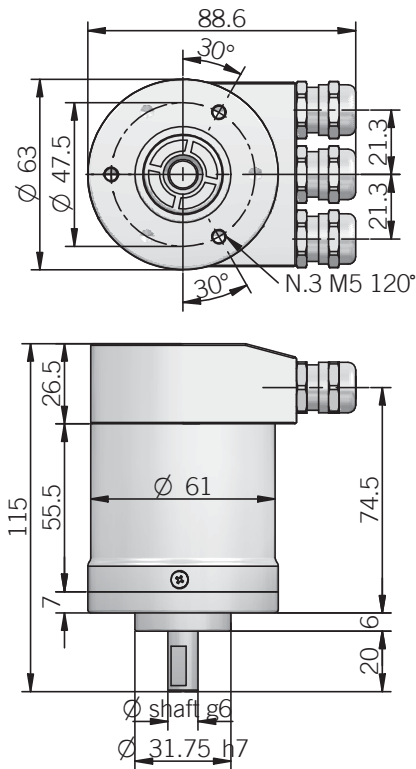


ORDERING CODE

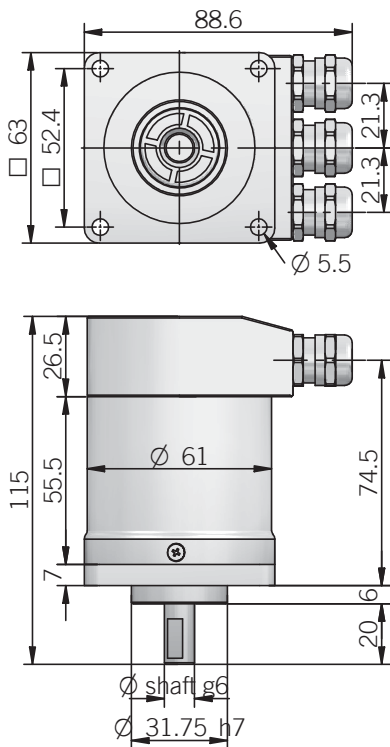
EAM 63 AX 4096 / 8192 B 12/28 F X X 6 S 3 P3 R . XXX

SERIES multiturn absolute encoder EAM	SIZE mm 63	TYPE synchronous flange ø 31.75 mm AX centering square flange ø 31.75 mm DX	MULTITURN RESOLUTION 4096	SINGLETURN RESOLUTION 4096 / 8192	CODE TYPE binary B	POWER SUPPLY 12 ... 28 V DC 12/28	ELECTRONIC INTERFACE PROFIBUS DP V0 CLASSE 2 F	SHAFT DIAMETER 6 mm 8 mm 9 mm (9.52 mm 3/8") 10 mm	ENCLOSURE RATING S IP 66	MAX ROTATION SPEED 3 3000 rpm	OUTPUT TYPE P3 cable glands	OUTPUT DIRECTION R radial	VARIANT XXX custom version
<i>N.B.: programmable 1 ... 4096 during commissioning</i>			<i>N.B.: programmable 2 ... 4096 / 2 ... 8192 during commissioning</i>			OPTION X unused option		LOGIC X unused option					

EAM 63 AX



EAM 63 DX



Mechanical specifications

Shaft diameter (mm)	6 / 8 / 9.52 (3/8") / 10
Enclosure rating	IP 66 (IEC 60529)
Max rotation speed	3000 rpm
Max shaft load	10 N (1 Kp) axial with ø6 shaft 20 N (2 Kp) radial with ø6 shaft 100 N (10 Kp) axial 100 N (10 Kp) radial
Shock	50 G, 11 ms (IEC 60068-2-27)
Vibrations	10 G, 10 ... 2000 Hz (IEC 60068-2-6)
Bearings life	10 ⁹ revolutions
Bearings	n° 2 ball bearings
Shaft material	1.4305 / AISI 303 stainless steel
Body / Cover material	1.4305 / AISI 303 stainless steel
Housing material	1.4305 / AISI 303 stainless steel
Flange material	1.4305 / AISI 303 stainless steel
Operating temperature	0° ... +60°C
Storage temperature	-15° ... +70°C
Weight	1000 g

Electrical specifications

Multiturn resolution	1 ... 4096 <i>programmable during commissioning</i>
Singleturn resolution	2 ... 4096 / 2 ... 8192 <i>programmable during commissioning</i>
Power supply	12 ... 28 V DC ± 5%
Current consumption without load	300 mA
Electronic interface	RS 485 galvanically isolated
Max bus frequency	12 Mbaud
Diagnostic features	frequency warning position warning / alarm <i>please refer to installation guide for more informations</i>
Response frequency	25 kHz
Accuracy	± 1/2 LSB
Counting direction	programmable during commissioning
Start-up time	500 ms
Electromagnetic compatibility	IEC 61000-6-2 IEC 61000-6-4

Output connections for PROFIBUS® DP encoder

Function	S3 connector 5-pin (power supply)	S3 connector 5-pin (line out)	S3 connector 5-pin (line in)
+ Vdc	2		
0 Volt	4		
signal A (out)		2	
signal B (out)		4	
signal A (in)			2
signal B (in)			4