

NAMUR HIGH TEMPERATURE INDUCTIVE PROXIMITY SENSORS

Diameter
● Shielded ○ Non-shielded
Switching Distance Sn: mm
Housing Material
● With LED ○ Without LED

M5
●
0.8 mm
Stainless steel
○

M8	
●	○
1 mm	2 mm
Stainless steel or Nickel plated brass	
○	

Picture



Operating Voltage
Ripple
No Load Current
Response Time
Switching Frequency
Switching Hysteresis
Repeat Accuracy
Protection Category
Operating Temperature
Temperature Drift
Short Circuit Protection
Overload Trip Point
Time Delay Before Availability
EMC
Shock / Vibration
Material Active Face

6-12VDC
-
>2.2mA(OFF) <1.1mA(ON)
2KHZ
0.05ms/0.05ms
<15%(Sr)
-
IP67
-25°C - +110°C
<2%(Sr)
-
-
<10ms
RFI>3V/m / EFT>1KV / ESD>4KV (contact)
IEC 60947-5-2,Part 7.4.1 / IEC 60947-5-2,Part 7.4.2
PBT

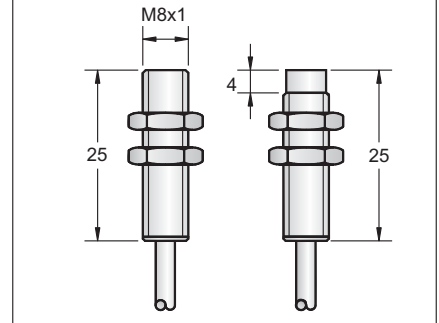
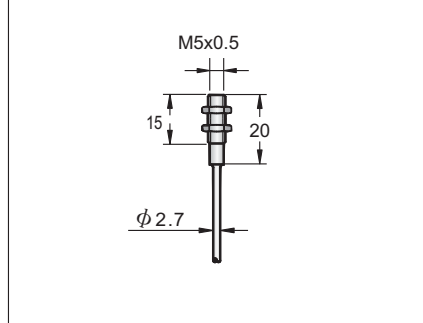
6-12VDC	
-	
>2.2mA(OFF) <1.1mA(ON)	
2KHZ	1KHZ
0.05ms/0.05ms	0.1ms/0.1ms
<15%(Sr)	
-	
IP67	
-25°C - +110°C	
<2%(Sr)	
-	
-	
<10ms	
RFI>3V/m / EFT>1KV / ESD>4KV (contact)	
IEC 60947-5-2,Part 7.4.1 / IEC 60947-5-2,Part 7.4.2	
PBT	

DC 3 wire 10-30V NPN N.O.
DC 3 wire 10-30V NPN N.C.
DC 3 wire 10-30V PNP N.O.
DC 3 wire 10-30V PNP N.C.
DC 4 wire 10-30V Changeover PNP (N.O. & N.C.)
DC 4 wire 10-30V Changeover NPN (N.O. & N.C.)
DC 2 wire 10-60V N.O.
DC 2 wire 10-60V N.C.
NAMUR
DC 3 wire 10-55V NPN N.C.
DC 3 wire 10-55V PNP N.O.
DC 3 wire 10-55V PNP N.C.
DC 3 wire 5-36V NPN N.O.
DC 3 wire 5-36V NPN N.C.
DC 3 wire 5-36V PNP N.O.
DC 3 wire 5-36V PNP N.C.
DC 4 wire 5-36V Changeover PNP (N.O & N.C.)
DC 4 wire 5-36V Changeover NPN (N.O & N.C.)

P6C1S050.8NAT	17
---------------	----

P6C1B0801NAT	17	P6C2B0802NAT
--------------	----	--------------

Dimensions (unit: mm)



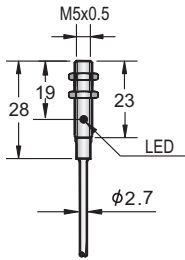
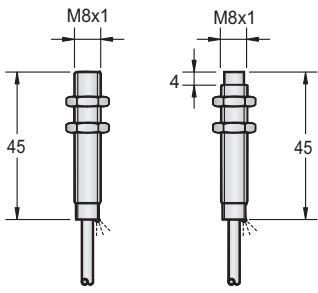


Cable 2M (Silicon)
Weight

Silicon Cable, 2. 7Ø 2x0.15
approx.25 g

Silicon Cable, 2. 7Ø 2x0.15
Approx.34 g

DC HIGH TEMPERATURE INDUCTIVE PROXIMITY SENSORS

Diameter	M5	M8
● Shielded ○ Non-shielded	●	● ○
Switching Distance Sn: mm	0.8 mm	1mm 2mm
Housing Material	Stainless steel	Stainless steel or Nickel plated brass
● With LED ○ Without LED	●	●
Picture		
	CE	CE
Operating Voltage	10-30VDC	10-30VDC/10-60VDC
Ripple	<10%	<10%
No Load Current	<10mA	<10mA
Max. Load Current	150mA	150mA
Leakage Current	<0.01mA	<0.01mA
Voltage Drop	<1.5V	<1.5V
Switching Frequency	2KHZ	2KHZ
Response Time	0.1ms/0.1ms	0.1ms/0.1ms
Switching Hysteresis	<15%(Sr)	<15%(Sr)
Repeat Accuracy	<1.0%(Sr)	<1.0%(Sr)
Protection Category	IP67	IP67
Operating Temperature	-25 °C - +110 °C	-25 °C - +110 °C
Temperature Drift	<10%(Sr)	<10%(Sr)
Short Circuit Protection	YES	YES
Overload Trip Point	220mA	220mA
Material Active Face	PBT	PBT
DC 3 wire 10-30V NPN N.O.	P1C1S050.8NO3A2T	1 P1C2S0802NO3A2T
DC 3 wire 10-30V NPN N.C.	P1C1S050.8NC3A2T	2 P1C2S0802NC3A2T
DC 3 wire 10-30V PNP N.O.	P1C1S050.8PO3A2T	3 P1C2S0802PO3A2T
DC 3 wire 10-30V PNP N.C.	P1C1S050.8PC3A2T	4 P1C2S0802PC3A2T
DC 4 wire 10-30V Changeover PNP (N.O. & N.C.)		6 P1C2S0802PS4A2T
DC 4 wire 10-30V Changeover NPN (N.O. & N.C.)		7 P1C2S0802NS4A2T
DC 2 wire 10-60V N.O. *		5 P4C2S0802CO2A2T
DC 2 wire 10-60V N.C. *		8 P4C2S0802CC2A2T
DC 3 wire 10-55V NPN N.O.		
DC 3 wire 10-55V NPN N.C.		
DC 3 wire 10-55V PNP N.O.		
DC 3 wire 10-55V PNP N.C.		
DC 3 wire 5-36V NPN N.O.		
DC 3 wire 5-36V NPN N.C.		
DC 3 wire 5-36V PNP N.O.		
DC 3 wire 5-36V PNP N.C.		
DC 4 wire 5-36V Changeover PNP (N.O & N.C.)		
DC 4 wire 5-36V Changeover NPN (N.O & N.C.)		
Dimensions (unit: mm)		
* : DC 2wire 10-60V specifications see page 3-05. Other is same.		
Cable 2M (Silicon)	Silicon Cable, 2. 7Ø 3x0.15	Silicon Cable, 3Ø 3x0.15 or 3Ø 4x0.15
Weight	approx.25 g	Approx.40 g

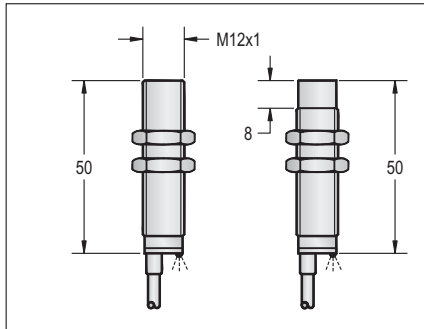
DC HIGH TEMPERATURE INDUCTIVE PROXIMITY SENSORS

M12	
●	○
2 mm	4 mm
Stainless steel or Nickel plated brass	
●	



10-30VDC / 10-60VDC	
<10%	
<10mA	
150mA	
<0.01mA	
<1.5V	
2KHZ	1KHZ
0.1ms/0.1ms	0.2ms/0.2ms
<15%(Sr)	
<1.0%(Sr)	
IP67	
-25°C - +110°C	
<10%(Sr)	
YES	
220mA	
PBT	

P1C1B1202NO3A2T	1	P1C2B1204NO3A2T
P1C1B1202NC3A2T	2	P1C2B1204NC3A2T
P1C1B1202PO3A2T	3	P1C2B1204PO3A2T
P1C1B1202PC3A2T	4	P1C2B1204PC3A2T
P1C1B1202PS4A2T	6	P1C2B1204PS4A2T
P1C1B1202NS4A2T	5	P1C2B1204NS4A2T
P4C1B1202CO2A2T	7	P4C2B1204CO2A2T
P4C1B1202CC2A2T	8	P4C2B1204CC2A2T



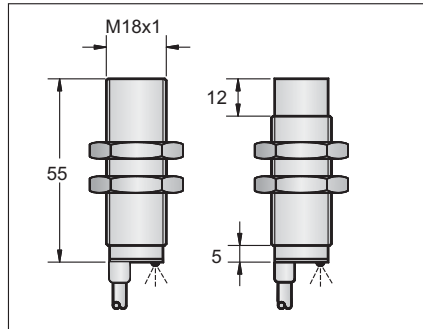
Silicon Cable, 3Ø 3x0.15 or 3Ø 4x0.15	Approx.67 g	Approx.65 g
---------------------------------------	-------------	-------------

M18	
●	○
5 mm	8 mm
Stainless steel or Nickel plated brass	
●	



10-30VDC / 10-60VDC	
<10%	
<10mA	
150mA	
<0.01mA	
<1.5V	
1KHZ	500HZ
0.2ms/0.2ms	0.5ms/0.5ms
<15%(Sr)	
<1.0%(Sr)	
IP67	
-25°C - +110°C	
<10%(Sr)	
YES	
220mA	
PBT	

P1C1B1805NO3A2T	1	P1C2B1808NO3A2T
P1C1B1805NC3A2T	2	P1C2B1808NC3A2T
P1C1B1805PO3A2T	3	P1C2B1808PO3A2T
P1C1B1805PC3A2T	4	P1C2B1808PC3A2T
P1C1B1805PS4A2T	6	P1C2B1808PS4A2T
P1C1B1805NS4A2T	5	P1C2B1808NS4A2T
P4C1B1805CO2A2T	7	P4C2B1808CO2A2T
P4C1B1805CC2A2T	8	P4C2B1808CC2A2T



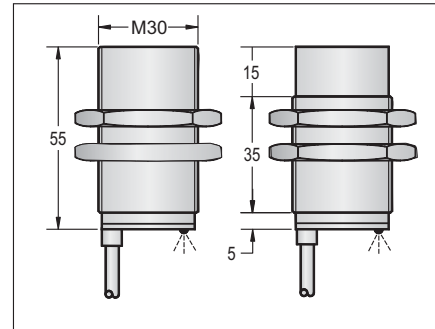
Silicon Cable, 5.8Ø 3x0.5 or 5.8Ø 4x0.5	Approx.153 g	Approx.144 g
---	--------------	--------------

M30	
●	○
10 mm	15 mm
Stainless steel or Nickel plated brass	
●	



10-30VDC / 10-60VDC	
<10%	
<10mA	
150mA	
<0.01mA	
<1.5V	
300HZ	150HZ
0.5ms/0.5ms	1ms/1ms
<15%(Sr)	
<1.0%(Sr)	
IP67	
-25°C - +110°C	
<10%(Sr)	
YES	
220mA	
PBT	

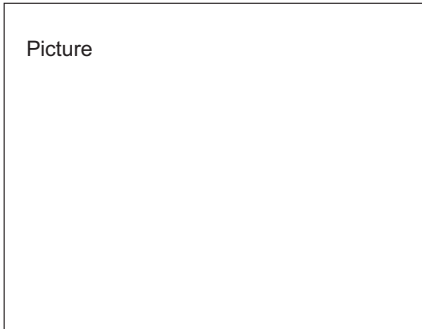
P1C1B3010NO3A2T	1	P1C2B3015NO3A2T
P1C1B3010NC3A2T	2	P1C2B3015NC3A2T
P1C1B3010PO3A2T	3	P1C2B3015PO3A2T
P1C1B3010PC3A2T	4	P1C2B3015PC3A2T
P1C1B3010PS4A2T	6	P1C2B3015PS4A2T
P1C1B3010NS4A2T	5	P1C2B3015NS4A2T
P4C1B3010CO2A2T	7	P4C2B3015CO2A2T
P4C1B3010CC2A2T	8	P4C2B3015CC2A2T



Silicon Cable, 5.8Ø 3x0.5 or 5.8Ø 4x0.5	Approx.217 g	Approx.207 g
---	--------------	--------------

DC HIGH TEMPERATURE 5 WAY ROTATABL SENSING HEAD

Diameter
● Shielded ○ Non-shielded
Switching Distance Sn: mm
Housing Material
● With LED ○ Without LED



Operating Voltage
Ripple
No Load Current
Max. Load Current
Leakage Current
Voltage Drop
Switching Frequency
Response Time
Switching Hysteresis
Repeat Accuracy
Protection Category
Operating Temperature
Temperature Drift
Short Circuit Protection
Overload Trip Point
Material Active Face
DC 3 wire 10-30V NPN N.O.
DC 3 wire 10-30V NPN N.C.
DC 3 wire 10-30V PNP N.O.
DC 3 wire 10-30V PNP N.C.
DC 4 wire 10-30V Changeover PNP (N.O. & N.C.)
DC 4 wire 10-30V Changeover NPN (N.O. & N.C.)
DC 2 wire 10-60V N.O. *
DC 2 wire 10-60V N.C. *
DC 3 wire 10-55V NPN N.O.
DC 3 wire 10-55V NPN N.C.
DC 3 wire 10-55V PNP N.O.
DC 3 wire 10-55V PNP N.C.
DC 3 wire 5-36V NPN N.O.
DC 3 wire 5-36V NPN N.C.
DC 3 wire 5-36V PNP N.O.
DC 3 wire 5-36V PNP N.C.
DC 4 wire 5-36V Changeover PNP (N.O. & N.C.)
DC 4 wire 5-36V Changeover NPN (N.O. & N.C.)

Dimensions (unit: mm)

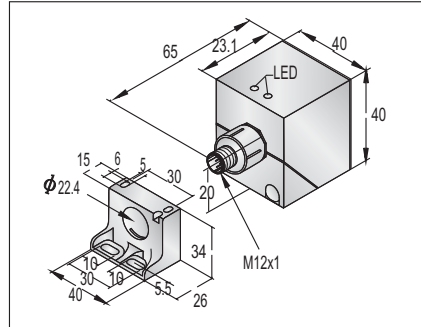
* : DC 2wire 10-60V specifications see page 3-05. Other is same.

Cable 2M (Silicon)
Weight

Q40s
●
15 mm
PBT RESIN
●



10-30VDC / 10-60VDC	
<10%	
<10mA	
150mA	
<0.01mA	
<1.5V	
100HZ	
1ms/1ms	
<15%(Sr)	
<1.0%(Sr)	
IP67	
-25℃ - +110℃	
<10%(Sr)	
YES	
220mA	
PBT	
P1S1P4015NOES4T	31
P1S1P4015NCES4T	32
P1S1P4015POES4T	33
P1S1P4015PCES4T	34
P1S1P4015PSES4T	36
P1S1P4015NSES4T	35
P4S1P4015COES4T	37
P4S1P4015CCES4T	38

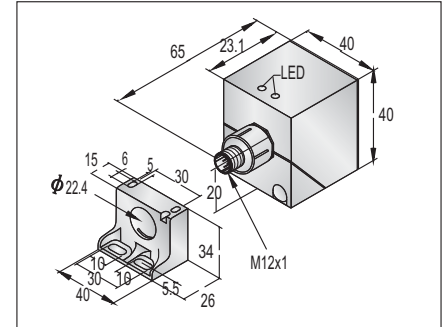


Approx.170 g

Q40s
○
30 mm
PBT RESIN
●



10-30VDC / 10-60VDC	
<10%	
<10mA	
150mA	
<0.01mA	
<1.5V	
100HZ	
1ms/1ms	
<15%(Sr)	
<1.0%(Sr)	
IP67	
-25℃ - +110℃	
<10%(Sr)	
YES	
220mA	
PBT	
P1S2P4030NOES4T	31
P1S2P4030NCES4T	32
P1S2P4030POES4T	33
P1S2P4030PCES4T	34
P1S2P4030PSES4T	36
P1S2P4030NSES4T	35
P4S2P4030COES4T	37
P4S2P4030CCES4T	38



Approx.170 g

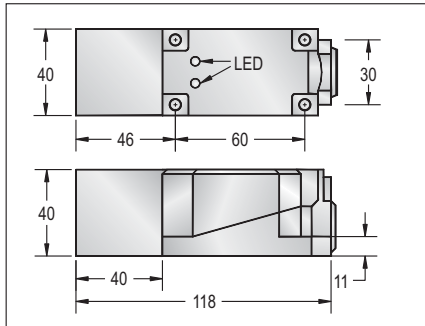
DC HIGH TEMPERATURE 5 WAY ROTATABLE SENSING HEAD

Q40
●
15 mm
PBT RESIN
●



10-30VDC / 10-60VDC
<10%
<10mA
150mA
<0.01mA
<1.5V
100HZ
1ms/1ms
<15%(Sr)
<1.0%(Sr)
IP67
-25 °C - +110 °C
<10%(Sr)
YES
220mA
PBT

P1S1P4015NO3AT	1
P1S1P4015NC3AT	2
P1S1P4015PO3AT	3
P1S1P4015PC3AT	4
P1S1P4015PS4AT	6
P1S1P4015NS4AT	5
P4S1P4015CO2AT	7
P4S1P4015CC2AT	8



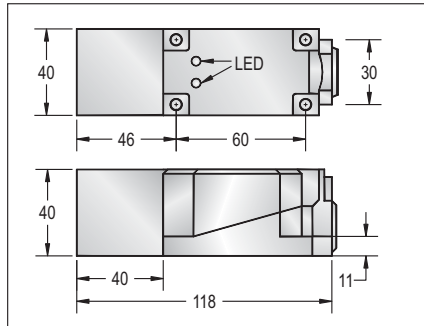
Approx.262 g

Q40
●
20 mm
PBT RESIN
●



10-30VDC / 10-60VDC
<10%
<10mA
150mA
<0.01mA
<1.5V
100HZ
1ms/1ms
<15%(Sr)
<1.0%(Sr)
IP67
-25 °C - +110 °C
<10%(Sr)
YES
220mA
PBT

P1S2P4020NO3AT	1
P1S2P4020NC3AT	2
P1S2P4020PO3AT	3
P1S2P4020PC3AT	4
P1S2P4020PS4AT	6
P1S2P4020NS4AT	5
P4S2P4020CO2AT	7
P4S2P4020CC2AT	8



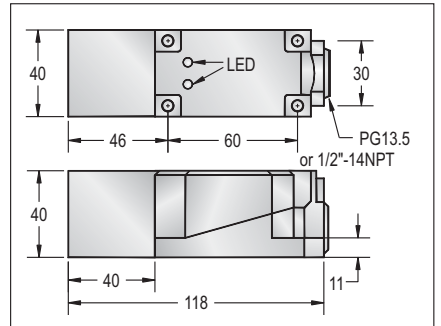
Approx.262 g

Q40
○
30 mm
PBT RESIN
●



10-30VDC / 10-60VDC
<10%
<10mA
150mA
<0.01mA
<1.5V
100HZ
1ms/1ms
<15%(Sr)
<1.0%(Sr)
IP67
-25 °C - +110 °C
<10%(Sr)
YES
220mA
PBT

P1S2P4030NO3AT	1
P1S2P4030NC3AT	2
P1S2P4030PO3AT	3
P1S2P4030PC3AT	4
P1S2P4030PS4AT	6
P1S2P4030NS4AT	5
P4S2P4030CO2AT	7
P4S2P4030CC2AT	8



Approx.262 g

AC HIGH TEMPERATURE INDUCTIVE PROXIMITY SENSORS

Diameter

- Shielded ○ Non-shielded

Switching Distance Sn: mm

Housing Material

- With LED ○ Without LED

Picture

Operating Voltage

No Load Current

Max. Load Current

Leakage Current

Surge Current

Min. Load Current

Voltage Drop

Switching Frequency

Response Time

Switching Hysteresis

Repeat Accuracy

Protection Category

Operating Temperature

Temperature Drift

Short Circuit Protection

Material Active Face

DC 3 wire 10-30V NPN N.O.

DC 3 wire 10-30V NPN N.C.

DC 3 wire 10-30V PNP N.O.

DC 3 wire 10-30V PNP N.C.

DC 4 wire 10-30V Changeover PNP (N.O. & N.C.)

DC 4 wire 10-30V Changeover NPN (N.O. & N.C.)

DC 2 wire 10-60V N.O.

DC 2 wire 10-60V N.C.

DC 3 wire 10-55V NPN N.O.

DC 3 wire 10-55V NPN N.C.

DC 3 wire 10-55V PNP N.O.

DC 3 wire 10-55V PNP N.C.

AC 2 wire 20-250V N.O.

AC 2 wire 20-250V N.C.

AC 2 wire 20-250V N.O. or N.C. Changeable

AC/DC 2 wire 20-250V N.O.

AC/DC 2 wire 20-250V N.C.

AC/DC 2 wire 20-250V N.O. or N.C. Changeable

Dimensions (unit: mm)

Cable 2M (Silicon)

Weight

M12

●

○

2 mm

4 mm

Stainless steel or Nickel plated brass

●



CE

20-250VAC

<1.8mA

400mA

<1.8mA

5A(20ms)

5mA

<8VAC AT 400mA

<25HZ

10ms/10ms

<15%(Sr)

<1.0%(Sr)

IP67

-25 °C - +110°C

<10%(Sr)

NO

PBT

P7C1B1202AO3B2T	15	P7C2B1204AO3B2T
P7C1B1202AC3B2T	16	P7C2B1204AC3B2T

M12

●

○

2 mm

4 mm

Stainless steel or Nickel plated brass

●



CE

20-250VAC

<1.8mA

400mA

<1.8mA

5A(20ms)

5mA

<8VAC AT 400mA

<25HZ

10ms/10ms

<15%(Sr)

<1.0%(Sr)

IP67

-25 °C - +110°C

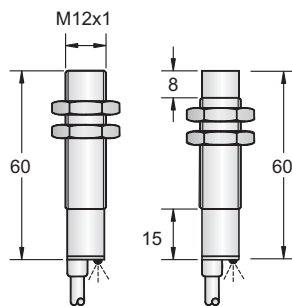
<10%(Sr)

NO

POM

PBT

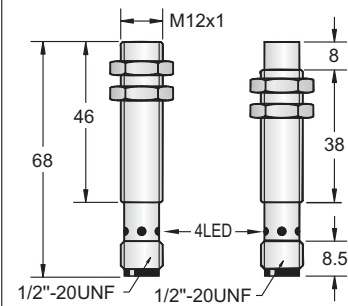
P7C1B1202AOMB3T	51	P7C2B1204AOMB3T
P7C1B1202ACMB3T	51	P7C2B1204ACMB3T



Silicon Cable, 4Ø 3x0.34

Approx.77 g

Approx.76 g



Approx.14 g

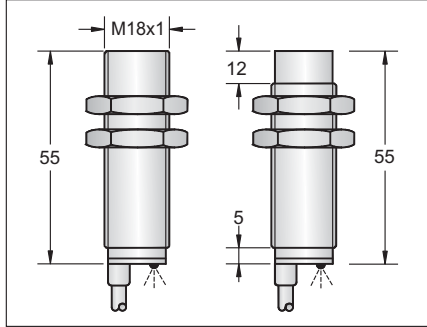
AC HIGH TEMPERATURE INDUCTIVE PROXIMITY SENSORS

M18	
●	○
5 mm	8 mm
Stainless steel or Nickel plated brass	
●	



20-250VAC
<1.8mA
400mA
<1.8mA
5A(20ms)
5mA
<8VAC AT 400MA
<25HZ
10ms/10ms
<15%(Sr)
<1.0%(Sr)
IP67
-25 °C - +110°C
<10%(Sr)
NO
PBT

P7C1B1805AO3B2T	15	P7C2B1808AO3B2T
P7C1B1805AC3B2T	16	P7C2B1808AC3B2T



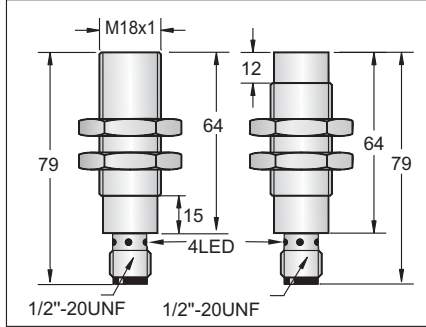
Silicon Cable, 5.8Ø 3x0.5	
Approx.161 g	Approx.160 g

M18	
●	○
5 mm	8 mm
Stainless steel or Nickel plated brass	
●	



20-250VAC
<1.8mA
400mA
<1.8mA
5A(20ms)
5mA
<8VAC AT 400MA
<25HZ
10ms/10ms
<15%(Sr)
<1.0%(Sr)
IP67
-25 °C - +70 °C
<10%(Sr)
NO
PBT

P7C1B1805AOMB3T	51	P7C2B1808AOMB3T
P7C1B1805ACMB3T	51	P7C2B1808ACMB3T



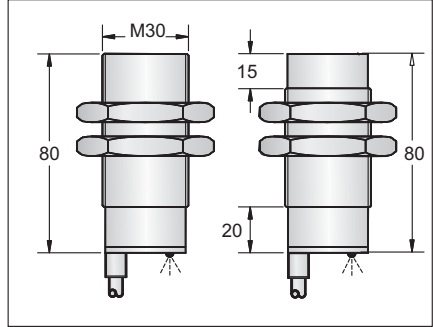
Approx.69 g	Approx.68 g
-------------	-------------

M30	
●	○
10 mm	15 mm
Stainless steel or Nickel plated brass	
●	



20-250VAC
<1.8mA
400mA
<1.8mA
5A(20ms)
5mA
<8VAC at 400MA
<25HZ
10ms/10ms
<15%(Sr)
<1.0%(Sr)
IP67
-25 °C - +110°C
<10%(Sr)
NO
PBT


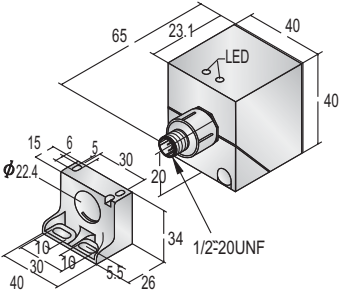
P7C1B3010AO3B2T	15	P7C2B3015AO3B2T
P7C1B3010AC3B2T	16	P7C2B3015AC3B2T


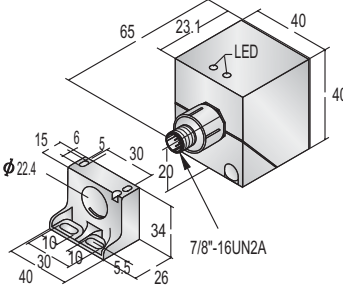


Silicon Cable, 5.8Ø 3x0.5	
Approx.247 g	Approx.237 g

AC HIGH TEMPERATURE 5 WAY ROTATABL SENSING HEAD

Diameter
● Shielded ○ Non-shielded
Switching Distance Sn: mm
Housing Material
● With LED ○ Without LED
Picture
Operating Voltage
No Load Current
Max. Load Current
Leakage Current
Surge Current
Min. Load Current
Voltage Drop
Switching Frequency
Response Time
Switching Hysteresis
Repeat Accuracy
Protection Category
Operating Temperature
Temperature Drift
Short Circuit Protection
Material Active Face
DC 3 wire 10-30V NPN N.O.
DC 3 wire 10-30V NPN N.C.
DC 3 wire 10-30V PNP N.O.
DC 3 wire 10-30V PNP N.C.
DC 4 wire 10-30V Changeover PNP (N.O. & N.C.)
DC 4 wire 10-30V Changeover NPN (N.O. & N.C.)
DC 2 wire 10-60V N.O.
DC 2 wire 10-60V N.C.
DC 3 wire 10-55V NPN N.O.
DC 3 wire 10-55V NPN N.C.
DC 3 wire 10-55V PNP N.O.
DC 3 wire 10-55V PNP N.C.
AC 2 wire 20-250V N.O.
AC 2 wire 20-250V N.C.
AC 2 wire 20-250V N.O. or N.C. Changeable
AC/DC 2 wire 20-250V N.O.
AC/DC 2 wire 20-250V N.C.
AC/DC 2 wire 20-250V N.O. or N.C. Changeable
Dimensions (unit: mm)
Cable 2M (PVC)
Weight

Q40s
○
30 mm
PBT RESIN
●

20-250VAC
<2.5mA
400mA
2.5mA
5A(20ms)
5mA
<8VAC AT 400MA
<25HZ
10ms/10ms
<15%(Sr)
<1.0%(Sr)
IP67
-25 °C - +110 °C
<10%(Sr)
-
PBT
P7S2P4030AOMS3T 52
P7S2P4030ACMS3T 52

Approx. 170 g

Q40s
●
15 mm
PBT RESIN
●

20-250VAC
<2.5mA
400mA
2.5mA
5A(20ms)
5mA
<8VAC AT 400MA
<25HZ
10ms/10ms
<15%(Sr)
<1.0%(Sr)
IP67
-25 °C - +110 °C
<10%(Sr)
-
PBT
P7S1P4015AOZS2T 56
P7S1P4015ACZS2T 56
P7S1P4015AAZS4T 42

Approx. 170 g

