

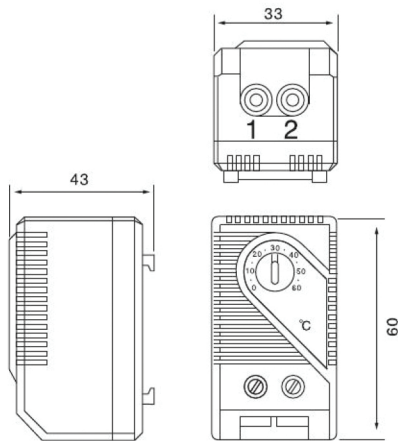


- Large setting range / 设定范围广
- Small size / 体积小
- Simple to mount / 便于安装
- High switching performance / 高切换性能

KTO 011: The rmostat(normally closed), contact breaker for regulating heaters.
KTS 011: Thermostat(normally open), contact maker for regulating of filter fans and heat exchangers or for switching signal devised when temperature limit has been exceeded.

KTO 011: 温控器(常闭), 用于调控加热器。

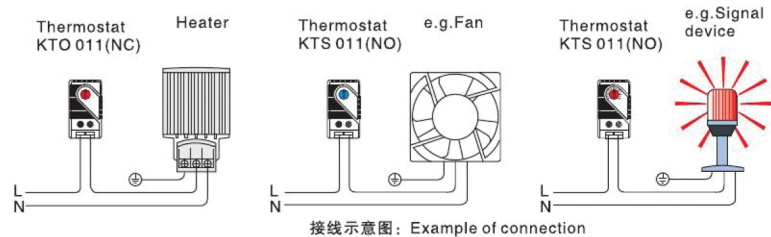
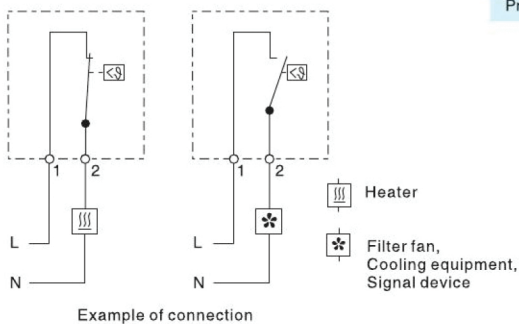
KTS 011: 温控器(常开), 当温度超出设定值时开关装置可以启动风机或信号装置。



Technical Data 技术参数	
Switch temperature difference 切换温差	7K(±4K tolerance) 7K(±4K公差)
Sensor element 感应元件	thermostatic bimetal 恒温双金属片
Contact type 接触器种类	snap-action contact 突跳式接触头
Contact resistance 接触电阻	<10mΩ
Service life 使用寿命	>100 000 cycles >100 000周期
Max switching capacity 最高切换负荷	250VAC, 10(2)A 120VAC, 15(2)A
	DC 30W
EMC 电磁兼容性	acc to EN 55014-1-2, EN 61000-3-2, EN 61000-3-3 符合欧盟EN 55014-1-2, EN 61000-3-2, EN 61000-3-3标准
Connection 接线	2-pole terminal, clamping torque 0.5Nm max: rigid wire 2.5mm ² , stranded wire(with wire end ferrule)1.5mm ² 2极端子台, 夹紧最大扭矩0.5Nm: 刚性线 2.5mm ² , 钢绞线(线端带铁包)1.5mm ²
Mounting 安装方式	clip for 35mm DIN rail, EN50022(or for exit filter EF 118 Series) 卡槽适于DIN35导轨
Casing 外壳	plastic according to UL94 V-0, light grey 塑料, UL, 浅灰
Dimensions 外形尺寸	60 × 33 × 43mm
Weight 重量	Approx. 40g, 约40克
Fitting position 安装方向	Variable 任意
Operating/Storage temperature 工作/储存温度	-20 to +80°C(-4 to +176°F)/-45 to +80°C(-49 to +176°F)
Protection type 保护等级	IP20

Thermostat KTO 011(NC)

Thermostat KTS 011(NO)



设定范围 Setting range	订货代号 Art.No. Contact Breaker(NC)	订货代号 Art.No. Contact macker(NO)
0 to +60°C	01140.0-00	01141.0-00
-10 to +50°C	01142.0-00	01143.0-00
+20 to +80°C	01159.0-00	01158.0-00
+32 to +140°C	01140.9-00	01141.9-00
+14 to +122°F	01142.9-00	01143.9-00
0 to +60°C	01146.9-00	01147.9-00