

# FLOW SIGHT GLASS GAUGE

## NAH-1 – WITHOUT ROTOR    NAH-2 – WITH ROTOR

NAH are used for mounting in pipes for fluids. The instruments are equipped with female threads at inlet and outlet and can be supplied with either brass or stainless steel fittings.

### Technical Data

- Material:** Body: Polycarbonate (P.C), Polysulfone (PSU) & SS316 available
- Tube Housing: Polycarbonate (P.C), Polysulfone (PSU) & Glass available
- O-rings: Viton
- Rotor: POM, PP+10% glass fiber available
- Rotor guide: SS316
- Thread connection: SS316

**Viscosity:** 1~150 mm<sup>2</sup>/s

**Indication Range:** minimum 0.4~4 L/Min; maximum 1.6~40 L/Min for water

**Max. Pressure:** PC body: 8bar; PSU body: 12bar; SS316 body: 16bar

**Max. Temperature:** PC body: -5°C~+80°C; PSU & SS316 body: -5°C~+100°C

**Connection Size:** ¼", ⅜", ½", ¾", 1" female PF or NPT available

**PATENT NO.**

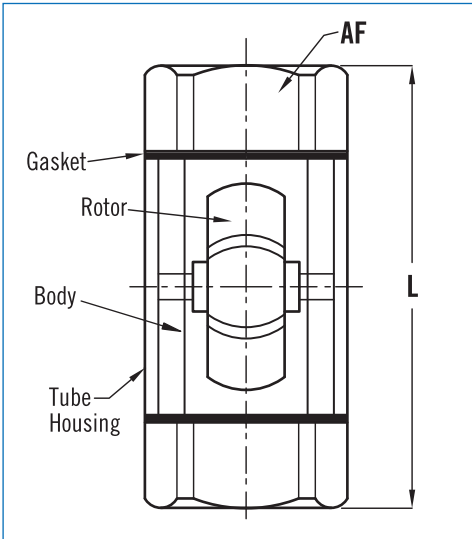
Taiwan: M385024  
China: 1854921  
U.S.: 8418567B2



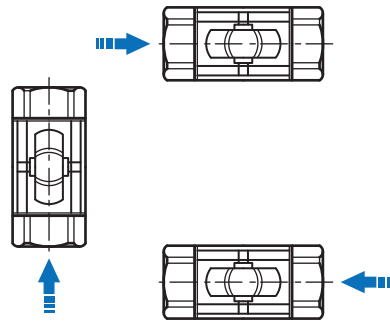
NAH-1

NAH-2

### Dimensions-mm



### Flow Direction



**NOTE:**

- Flow Direction only can:
1. Bottom to Top
  2. Left to Right
  3. Right to Left

Size	L		AF	
	NPT	PF	NPT	PF
¼"	80	80	30	30
⅜"	80	80	30	30
½"	104	104	40	40
¾"	104	104	40	40
1"	104	104	40	46

### Ordering Information

NAH	Code	Model	
	1	Without Rotor	2 With Rotor
		<b>Code</b>	<b>Body / Tube Housing Material</b>
		1	P.C / P.C
		2	PSU / PSU
		3	SS316 / Glass
		<b>Code</b>	<b>Connection Size</b>
		(1) ¼" (2) ⅜" (3) ½" (4) ¾" (5) 1"	
		<b>Code</b>	<b>Connection Rating-female</b>
		1	NPT
		2	PF
		<b>Code</b>	<b>O-Ring Material</b>
		V	Viton
		<b>Code</b>	<b>Rotor Material</b>
		1	POM
		2	PP+10% galss fiber
		3	Without Rotor (NAH-1 only)

### Range Table

PF/NPT	With Rotor	Without Rotor
¼"	0.4~4 L/Min	8.3 L/Min
⅜"	0.6~8 L/Min	11.1 L/Min
½"	1~12 L/Min	31.5 L/Min
¾"	1~25 L/Min	36.5 L/Min
1"	1.6~40 L/Min	38.0 L/Min