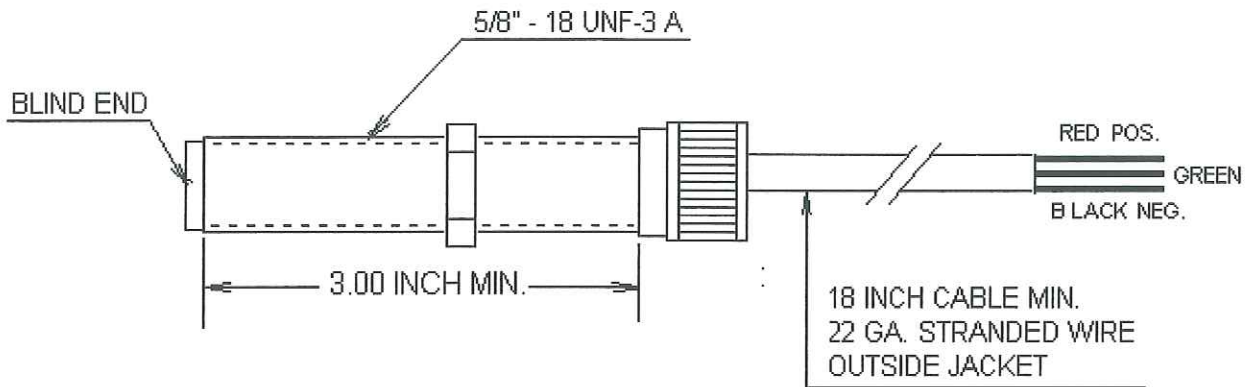
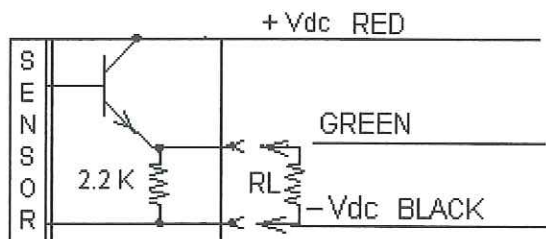


## BLIND END ZERO SPEED SENSOR

P/N - 625300-BL.



### WIRING SCHEMATIC



---

### SPECIFICATIONS

SUPPLY VOLTAGE: 5 V. to 24 Vdc.  
@ 15 ma. Max..  
SURFACE SPEED: NEAR ZERO  
AIRGAP: 0.020" to 0150"  
GEAR PITCH: AS LARGE AS 4 PITCH  
T.T.L. COMPATIBLE  
TEMP. RANGE: - 40 deg. F to 250 deg. F  
OIL AND WATER RESISTANT