

FS-B Series - Proximity Switch - Ferrous Model: FS-B421L-DE (old: 7G-23523-B4)

Proximity/Limit Switch - UL/CSA CI I Div 1 & 2 Groups A, B, C & D; CI II Div 1 & 2 Groups E, F & G T6

Our FS series proximity/limit switches use an array of internal magnets to provide extremely reliable and accurate sensing in hazardous and arduous environments. They are able to sense ferrous material, such as carbon steel and 400 series stainless steel at up to 2.5mm and are reliable through millions of operations. Each switch is supplied with 2 lock nuts.

Properties

| | |
|------------------------------|---|
| Body Shape | Cylindrical |
| Body Material | 316 Stainless Steel |
| Contact Arrangement | DPCO/DPDT (2 x Form C) |
| Contact Material | 60% Palladium 40% Silver |
| Max Current | 3A |
| Connection | Individual PVC Leads (2m), 1/2 NPT Conduit Entry |
| Mounting | 5/8"-18 UNF x 1.88"(48mm) |
| Certification | UL / CSA Class I/II Div 1 & 2 Groups A-G Class I & II Div |
| Hazardous Location | 1 & 2 |
| Gas Group | Groups A, B, C & D |
| Dust Group | Groups E, F & G |
| Temperature Class (T Rating) | T6 |
| Operating Temperature | -40°C to +105°C |
| Environmental Protection | IP66, 67, 68, NEMA 4X, 6P |
| Safety Rating | SIL 3 |
| Actuation | Ferrous Actuated (Magnet Optional) Approx. 0.05mm |
| Repeatability | Approx 0.05mm (0.002") |
| Response Time | 8 ms |
| Differential / Hysteresis | Approx. 0.51mm (0.020") |



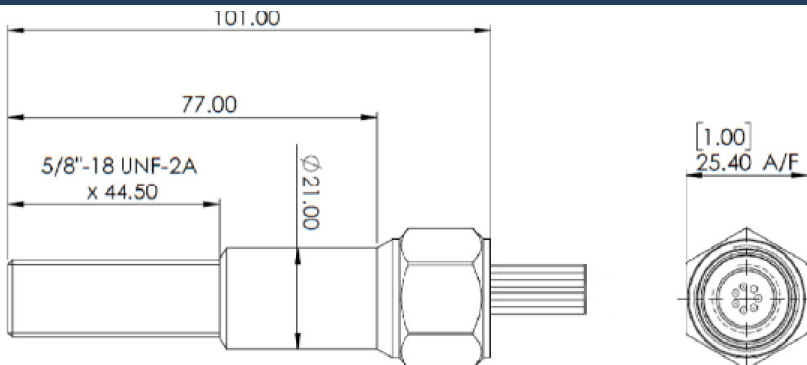
Ratings

| Supply Voltage | Max switching Current | Max Voltage |
|----------------|-----------------------|-------------|
| 24 VDC | 1A | 230 V AC/DC |
| 110 VAC | 3A | |
| 230 VAC | 1.5A | |

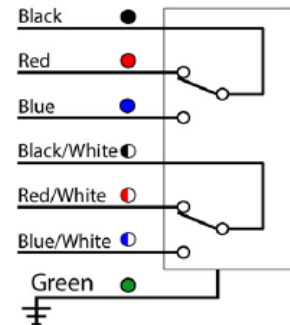
Sensing Ranges

| Standard Sensing Ferrous Material = 2.3mm (0.09") | Magnet Part No. | Range mm |
|--|-----------------|----------|
| Extended Sensing Optional magnetic targets can be used to increase sensing range. | MA-1S | 4 |
| | MA-4S | 8 |
| | MA-7S | 12 |

Dimension in mm



Connection



Certifications and Approvals

| Certification | Compliance | Certificate No. |
|------------------------|---------------------------|-----------------|
| UL/CSA CLASS I DIV 1&2 | UL1203, CSA C22.2 25 & 30 | E364212 |