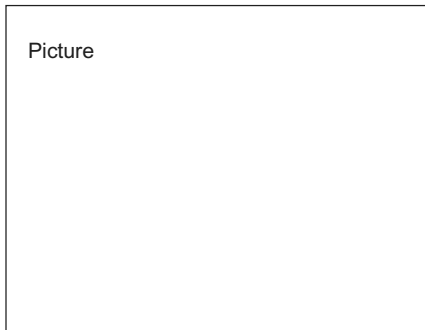


DC CAPACITIVE PROXIMITY SENSORS

Diameter
● Shielded ○ Non-shielded
Switching Distance Sn: mm
Housing Material
● With LED ○ Without LED



Operating Voltage
Ripple
No Load Current
Max. Load Current
Leakage Current
Voltage Drop
Switching Frequency
Response Time
Switching Hysteresis
Repeat Accuracy
Protection Category
Operating Temperature
Temperature Drift
Short Circuit Protection
Overload Trip Point
Material Active Face

DC 3 wire 10-30V NPN N.O.
DC 3 wire 10-30V NPN N.C.
DC 3 wire 10-30V PNP N.O.
DC 3 wire 10-30V PNP N.C.
DC 4 wire 10-30V Changeover PNP (N.O. & N.C.)
DC 4 wire 10-30V Changeover NPN (N.O. & N.C.)
DC 2 wire 10-60V N.O.
DC 2 wire 10-60V N.C.
DC 3 wire 10-55V NPN N.O.
DC 3 wire 10-55V NPN N.C.
DC 3 wire 10-55V PNP N.O.
DC 3 wire 10-55V PNP N.C.
DC 3 wire 5-36V NPN N.O.
DC 3 wire 5-36V NPN N.C.
DC 3 wire 5-36V PNP N.O.
DC 3 wire 5-36V PNP N.C.
DC 4 wire 5-36V Changeover PNP (N.O. & N.C.)
DC 4 wire 5-36V Changeover NPN (N.O. & N.C.)

Dimensions (unit: mm)

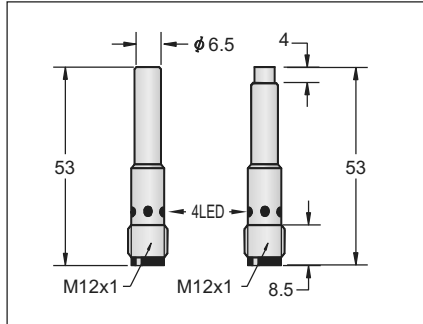
Cable 2M (PVC)
Weight

ϕ 6.5	
●	○
1mm	2mm
Nickel plated brass	
●	



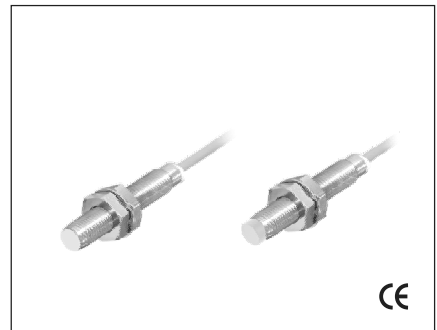
10-30VDC
<10%
<10mA
200mA
<0.01mA
<2VDC
100HZ
1.5ms/1.5ms
<15%(Sr)
<5%(Sr)
IP67
-25°C— +70°C
<10%(Sr)
YES
220mA
POM

C1D1B0601NOES4	31	C1D2B0602NOES4
C1D1B0601NCES4	32	C1D2B0602NCES4
C1D1B0601POES4	33	C1D2B0602POES4
C1D1B0601PCES4	34	C1D2B0602PCES4



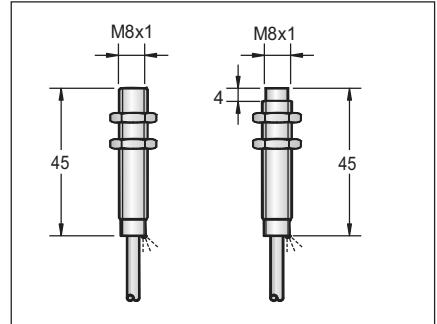
Approx.20 g	Approx. 19 g
-------------	--------------

M8	
●	○
1mm	2mm
Nickel plated brass	
●	



10-30VDC
<10%
<10mA
200mA
<0.01mA
<2VDC
100HZ
1.5ms/1.5ms
<15%(Sr)
<5%(Sr)
IP67
-25°C— +70°C
<10%(Sr)
YES
220mA
POM

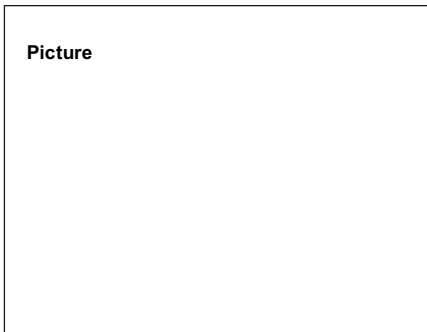
C1C1B0801NO3A2	1	C1C2B0802NO3A2
C1C1B0801NC3A2	2	C1C2B0802NC3A2
C1C1B0801PO3A2	3	C1C2B0802PO3A2
C1C1B0801PC3A2	4	C1C2B0802PC3A2



3 ϕ 3x0.15	
Approx.40 g	Approx.38 g

DC CAPACITIVE PROXIMITY SWITCH

Diameter
● Shielded ○ non-Shielded
Switching Distance, Sn: mm
Housing Material
● With LED ○ Without LED



Operating Voltage
Ripple
No Load Current
Max. Load Current
Leakage Current
Voltage Drop
Switching Frequency
Response Time
Switching Hysteresis
Repeat Accuracy
Protection Category
Operating Temperature
Temperature Drift
Short Circuit Protection
Overload Trip Point
Material Active Face

DC 3 wire 10-30V NPN N.O.
DC 3 wire 10-30V NPN N.C.
DC 3 wire 10-30V PNP N.O.
DC 3 wire 10-30V PNP N.C.
DC 4 wire 10-30V Changeover PNP (N.O. & N.C.)
DC 4 wire 10-30V Changeover NPN (N.O. & N.C.)
DC 2 wire 10-60V N.O.
DC 2 wire 10-60V N.C.
DC 3 wire 10-55v NPN N.O.
DC 3 wire 10-55v NPN N.C.
DC 3 wire 10-55v PNP N.O.
DC 3 wire 10-55v PNP N.C.
DC 3 wire 5-36V NPN N.O.
DC 3 wire 5-36V NPN N.C.
DC 3 wire 5-36V PNP N.O.
DC 3 wire 5-36V PNP N.C.
DC 4 wire 5-36V Changeover PNP (N.O. & N.C.)
DC 4 wire 5-36V Changeover NPN (N.O. & N.C.)

Dimensions (unit: mm)

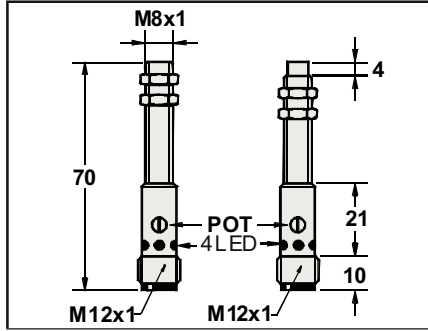
Cable 2M (PVC)
Weight

M8	
● ○	
1 mm	2 mm
nickel plated brass	
●	



Operating Voltage
Ripple
No Load Current
Max. Load Current
Leakage Current
Voltage Drop
Switching Frequency
Response Time
Switching Hysteresis
Repeat Accuracy
Protection Category
Operating Temperature
Temperature Drift
Short Circuit Protection
Overload Trip Point
Material Active Face

C1C1B0801NOEA4	1	C1C2B0802NOEA4
C1C1B0801NCEA4	2	C1C2B0802NCEA4
C1C1B0801POEA4	3	C1C2B0802POEA4
C1C1B0801PCEA4	4	C1C2B0802PCEA4



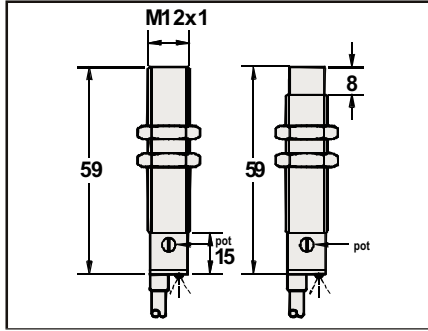
approx.22g	approx.21g
------------	------------

M12	
● ○	
1-3 mm adjustable	1-6 mm adjustable
nickel plated brass	
●	



Operating Voltage
Ripple
No Load Current
Max. Load Current
Leakage Current
Voltage Drop
Switching Frequency
Response Time
Switching Hysteresis
Repeat Accuracy
Protection Category
Operating Temperature
Temperature Drift
Short Circuit Protection
Overload Trip Point
Material Active Face

C1C1B1203NO3A2	1	C1C2B1206NO3A2
C1C1B1203NC3A2	2	C1C2B1206NC3A2
C1C1B1203PO3A2	3	C1C2B1206PO3A2
C1C1B1203PC3A2	4	C1C2B1206PC3A2



4φ3X0.15	
approx.66g	approx.65g

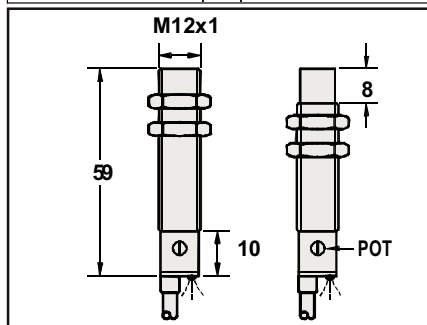
DC CAPACITIVE PROXIMITY SWITCH

M12	
●	○
1-3 mm adjustable	1-6 mm adjustable
PBT RESIN	



10-30VDC
<10%
<10mA
200mA
<0.01mA
<2VDC
100HZ
1.5ms/1.5ms
<15%(Sr)
<5%(Sr)
IP67
-25°C—+70°C
<10%(Sr)
YES
220mA
POM

C1C1P1203NO3A2	1	C1C2P1206NO3A2
C1C1P1203NC3A2	2	C1C2P1206NC3A2
C1C1P1203PO3A2	3	C1C2P1206PO3A2
C1C1P1203PC3A2	4	C1C2P1206PC3A2



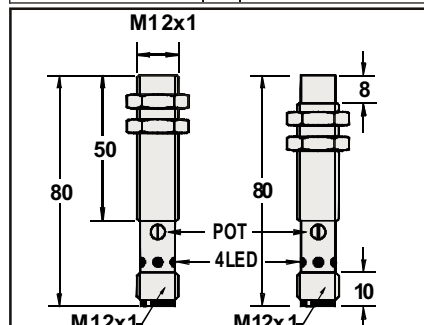
4 \varnothing 3x0.15
approx. 60g

M12	
●	○
1-3 mm adjustable	1-6 mm adjustable
nickel plated brass	



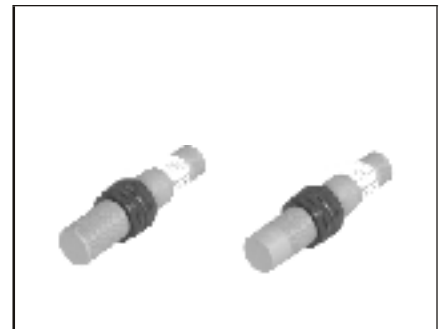
10-30VDC
<10%
<10mA
200mA
<0.01mA
<2VDC
100HZ
1.5ms/1.5ms
<15%(Sr)
<5%(Sr)
IP67
-25°C—+70°C
<10%(Sr)
YES
220mA
POM

C1C1B1203NOEA4	1	C1C2B1206NOEA4
C1C1B1203NCEA4	2	C1C2B1206NCEA4
C1C1B1203POEA4	3	C1C2B1206POEA4
C1C1B1203PCEA4	4	C1C2B1206PCEA4



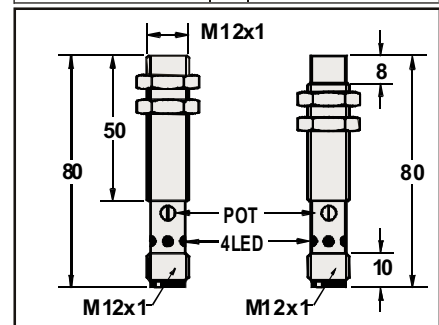
approx. 31g | approx. 30g

M12	
●	○
1-3 mm adjustable	1-6 mm adjustable
PBT RESIN	



10-30VDC
<10%
<10mA
200mA
<0.01mA
<2VDC
100HZ
1.5ms/1.5ms
<15%(Sr)
<5%(Sr)
IP67
-25°C—+70°C
<10%(Sr)
YES
220mA
POM

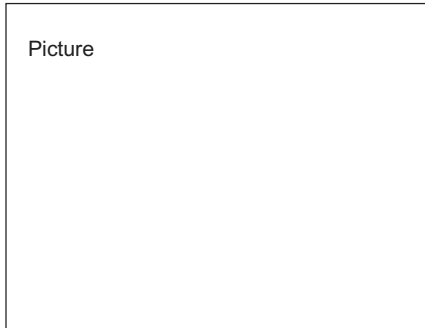
C1C1P1203NOEA4	1	C1C2P1206NOEA4
C1C1P1203NCEA4	2	C1C2P1206NCEA4
C1C1P1203POEA4	3	C1C2P1206POEA4
C1C1P1203PCEA4	4	C1C2P1206PCEA4



approx. 14g

DC CAPACITIVE PROXIMITY SENSORS

Diameter
● Shielded ○ Non-shielded
Switching Distance Sn: mm
Housing Material
● With LED ○ Without LED



Operating Voltage
Ripple
No Load Current
Max. Load Current
Leakage Current
Voltage Drop
Switching Frequency
Response Time
Switching Hysteresis
Repeat Accuracy
Protection Category
Operating Temperature
Temperature Drift
Short Circuit Protection
Overload Trip Point
Material Active Face

DC 3 wire 10-30V NPN N.O.
DC 3 wire 10-30V NPN N.C.
DC 3 wire 10-30V PNP N.O.
DC 3 wire 10-30V PNP N.C.
DC 4 wire 10-30V Changeover PNP (N.O. & N.C.)
DC 4 wire 10-30V Changeover NPN (N.O. & N.C.)
DC 2 wire 10-60V N.O.
DC 2 wire 10-60V N.C.
DC 3 wire 10-55V NPN N.O.
DC 3 wire 10-55V NPN N.C.
DC 3 wire 10-55V PNP N.O.
DC 3 wire 10-55V PNP N.C.
DC 3 wire 5-36V NPN N.O.
DC 3 wire 5-36V NPN N.C.
DC 3 wire 5-36V PNP N.O.
DC 3 wire 5-36V PNP N.C.
DC 4 wire 5-36V Changeover PNP (N.O. & N.C.)
DC 4 wire 5-36V Changeover NPN (N.O. & N.C.)

Dimensions (unit: mm)

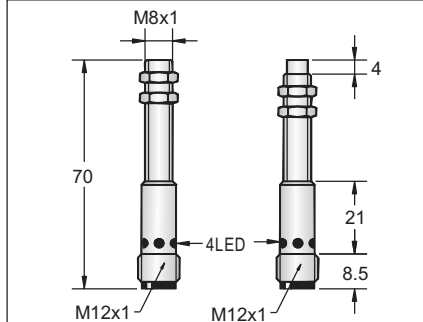
Cable 2M (PVC)
Weight

M8	
●	○
1 mm	2mm
Nickel plated brass	
●	



10-30VDC
<10%
<10mA
200mA
<0.01mA
<2VDC
100HZ
1.5ms/1.5ms
<15%(Sr)
<5%(Sr)
IP67
-25°C— +70°C
<10%(Sr)
YES
220mA
POM

C1C1B0801NOEA4	31	C1C2B0802NOEA4
C1C1B0801NCEA4	32	C1C2B0802NCEA4
C1C1B0801POEA4	33	C1C2B0802POEA4
C1C1B0801PCEA4	34	C1C2B0802PCEA4



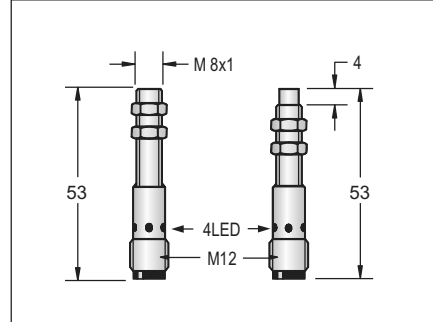
Approx.22g	Approx.21g
------------	------------

M8	
●	○
1 mm	2mm
Nickel plated brass	
●	



10-30VDC
<10%
<10mA
200mA
<0.01mA
<2VDC
100HZ
1.5ms/1.5ms
<15%(Sr)
<5%(Sr)
IP67
-25°C— +70°C
<10%(Sr)
YES
220mA
POM

C1C1B0801NOES4	31	C1C2B0802NOES4
C1C1B0801NCES4	32	C1C2B0802NCES4
C1C1B0801POES4	33	C1C2B0802POES4
C1C1B0801PCES4	34	C1C2B0802PCES4



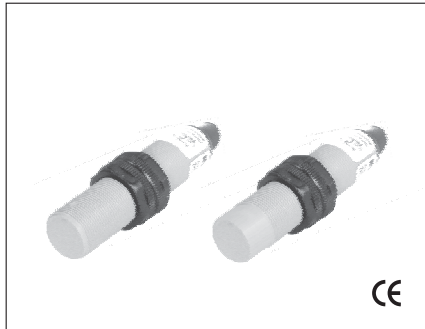
Approx.17g	Approx.16g
------------	------------

DC CAPACITIVE PROXIMITY SWITCH

Diameter			M18				M18					
● Shielded ○ non-Shielded			● 2-8 mm adjustable ○ 2-15 mm adjustable		● 2-8 mm adjustable ○ 2-15mm adjustable		● 2-8 mm adjustable ○ 2-15mm adjustable		● 2-8 mm adjustable ○ 2-15mm adjustable		● 2-8 mm adjustable ○ 2-15mm adjustable	
Switching Distance, Sn: mm			nickel plated brass				PBT RESIN					
Housing Material												
● With LED ○ Without LED			●				●					
Picture												
Operating Voltage			10-30VDC				10-30VDC					
Ripple			<10%				<10%					
No Load Current			<10mA				<10mA					
Max. Load Current			300mA				300mA					
Leakge Current			<0.01mA				<0.01mA					
Voltage Drop			<2VDC				<2VDC					
Switching Frequency			100HZ				100HZ					
Response Time			1.5ms/1.5ms				1.5ms/1.5ms					
Switching Hysteresis			<15%(Sr)				<15%(Sr)					
Repeat Accuracy			<5%(Sr)				<5%(Sr)					
Protection Category			IP67				IP67					
Operating Temperature			-25°C—+70°C				-25°C—+70°C					
Temperature Drift			<10%(Sr)				<10%(Sr)					
Short Circuit Protection			YES				YES					
Overload Trip Point			350mA				350mA					
Material Active Face			PBT				PBT					
DC 3 wire 10-30V NPN N.O.			C1C1B1808NO3A2		1	C1C2B1815NO3A2		1	C1C2P1815NO3A2		1	
DC 3 wire 10-30V NPN N.C.			C1C1B1808NC3A2		2	C1C2B1815NC3A2		2	C1C2P1815NC3A2		2	
DC 3 wire 10-30V PNP N.O.			C1C1B1808PO3A2		3	C1C2B1815PO3A2		3	C1C2P1815PO3A2		3	
DC 3 wire 10-30V PNP N.C.			C1C1B1808PC3A2		4	C1C2B1815PC3A2		4	C1C2P1815PC3A2		4	
DC 4 wire 10-30V Changeover PNP (N.O. & N.C.)												
DC 4 wire 10-30V Changeover NPN (N.O. & N.C.)												
DC 2 wire 10-60V N.O.												
DC 2 wire 10-60V N.C.												
DC 3 wire 10-55v NPN N.O.												
DC 3 wire 10-55v NPN N.C.												
DC 3 wire 10-55v PNP N.O.												
DC 3 wire 10-55v PNP N.C.												
DC 3 wire 5-36V NPN N.O.												
DC 3 wire 5-36V NPN N.C.												
DC 3 wire 5-36V PNP N.O.												
DC 3 wire 5-36V PNP N.C.												
DC 4 wire 5-36V Changeover PNP (N.O & N.C.)												
DC 4 wire 5-36V Changeover NPN (N.O & N.C.)												
Dimensions (unit: mm)												
Cable 2M (PVC)			4φ3x0.34				4φ3x0.34					
Weight			approx.115g		approx.110g		approx.92g		approx.94g			

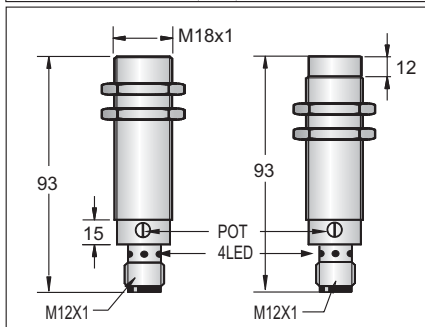
DC CAPACITIVE PROXIMITY SENSORS

M18	
●	○
2-8 mm adjustable	2-15 mm adjustable
PBT RESIN	
●	



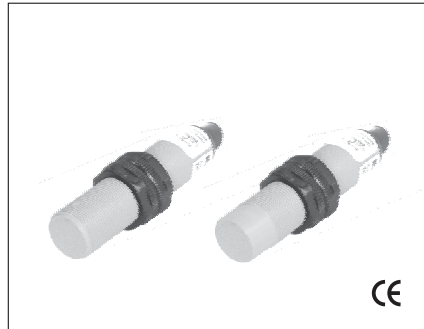
10-30VDC
<10%
<10mA
300mA
<0.01mA
<2VDC
100HZ
1.5ms/1.5ms
<15%(Sr)
<5%(Sr)
IP67
-25°C- +70°C
<10%(Sr)
YES
350mA
PBT

C1C1P1808NOEA4	31	C1C2P1815NOEA4
C1C1P1808NCEA4	32	C1C2P1815NCEA4
C1C1P1808POEA4	33	C1C2P1815POEA4
C1C1P1808PCEA4	34	C1C2P1815PCEA4
C1C1P1808PSEA4	36	C1C2P1815PSEA4
C1C1P1808NSEA4	35	C1C2P1815NSEA4



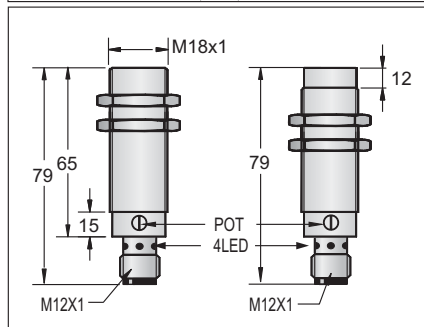
approx.79g	approx.80g
------------	------------

M18	
●	○
2-8 mm adjustable	2-15 mm adjustable
PBT RESIN	
●	



10-30VDC
<10%
<10mA
200mA
<0.01mA
<2VDC
100HZ
1.5ms/1.5ms
<15%(Sr)
<5%(Sr)
IP67
-25°C- +70°C
<10%(Sr)
YES
220mA
PBT

C1C1P1808NOES4	31	C1C2P1815NOES4
C1C1P1808NCES4	32	C1C2P1815NCES4
C1C1P1808POES4	33	C1C2P1815POES4
C1C1P1808PCES4	34	C1C2P1815PCES4
C1C1P1808PSES4	36	C1C2P1815PSES4
C1C1P1808NSES4	35	C1C2P1815NSES4



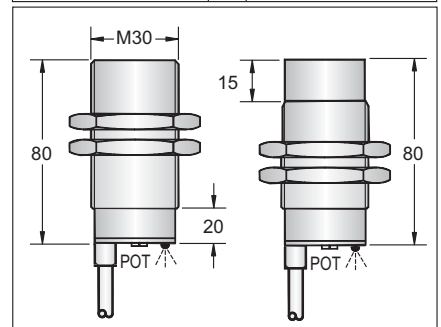
5.8φ 3x0.5(5.8 φ 4x0.5)	
approx.79g	approx.80g

M30	
●	○
2-20 mm adjustable	2-30 mm adjustable
Nickel plated brass	
●	



10-30VDC
<10%
<10mA
300mA
<0.01mA
<2VDC
100HZ
1.5ms/1.5ms
<15%(Sr)
<5%(Sr)
IP67
-25°C- +70°C
<10%(Sr)
YES
350mA
PBT

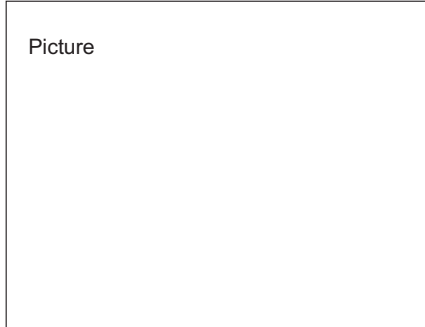
C1C1B3020NO3A2	1	C1C2B3030NO3A2
C1C1B3020NC3A2	2	C1C2B3030NC3A2
C1C1B3020PO3A2	3	C1C2B3030PO3A2
C1C1B3020PC3A2	4	C1C2B3030PC3A2
C1C1B3020PS4A2	6	C1C2B3030PS4A2
C1C1B3020NS4A2	5	C1C2B3030NS4A2



5.8φ 3x0.5(5.8 φ 4x0.5)	
approx.231g	approx.219g

DC CAPACITIVE PROXIMITY SENSORS

Diameter
● Shielded ○ Non-shielded
Switching Distance Sn: mm
Housing Material
● With LED ○ Without LED



Operating Voltage
Ripple
No Load Current
Max. Load Current
Leakage Current
Voltage Drop
Switching Frequency
Response Time
Switching Hysteresis
Repeat Accuracy
Protection Category
Operating Temperature
Temperature Drift
Short Circuit Protection
Overload Trip Point
Material Active Face

DC 3 wire 10-30V NPN N.O.
DC 3 wire 10-30V NPN N.C.
DC 3 wire 10-30V PNP N.O.
DC 3 wire 10-30V PNP N.C.
DC 4 wire 10-30V Changeover PNP (N.O. & N.C.)
DC 4 wire 10-30V Changeover NPN (N.O. & N.C.)
DC 2 wire 10-60V N.O.
DC 2 wire 10-60V N.C.
DC 3 wire 10-55V NPN N.O.
DC 3 wire 10-55V NPN N.C.
DC 3 wire 10-55V PNP N.O.
DC 3 wire 10-55V PNP N.C.
DC 3 wire 5-36V NPN N.O.
DC 3 wire 5-36V NPN N.C.
DC 3 wire 5-36V PNP N.O.
DC 3 wire 5-36V PNP N.C.
DC 4 wire 5-36V Changeover PNP (N.O. & N.C.)
DC 4 wire 5-36V Changeover NPN (N.O. & N.C.)

Dimensions (unit: mm)

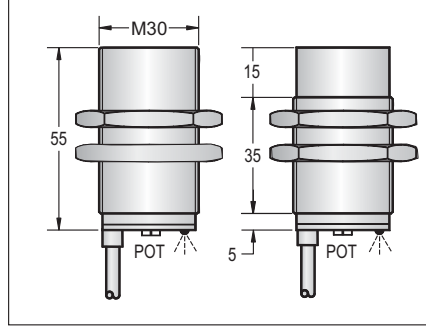
Cable 2M (PVC)
Weight

M30	
●	○
2-20 mm adjustable	2-30 mm adjustable
Nickel plated brass	
●	



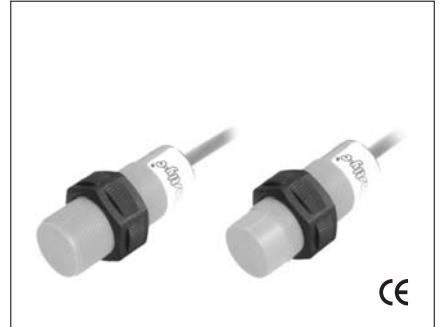
10-30VDC
<10%
<10mA
200mA
<0.01mA
<2VDC
100HZ
1.5ms/1.5ms
<15%(Sr)
<5%(Sr)
IP67
-25°C— +70°C
<10%(Sr)
YES
220mA
PBT

C1C1B3020NO3S2	1	C1C2B3030NO3S2
C1C1B3020NC3S2	2	C1C2B3030NC3S2
C1C1B3020PO3S2	3	C1C2B3030PO3S2
C1C1B3020PC3S2	4	C1C2B3030PC3S2
C1C1B3020PS4S2	6	C1C2B3030PS4S2
C1C1B3020NS4S2	5	C1C2B3030NS4S2



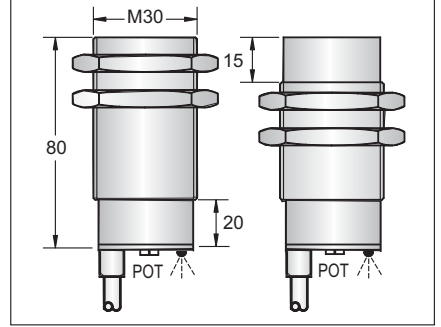
5.8φ 3x0.5(5.8 φ 4x0.5)	
approx.231g	approx.219g

M30	
●	○
2-20mm adjustable	2-30mm adjustable
PBT RESIN	
●	



10-30VDC
<10%
<10mA
300mA
<0.01mA
<2VDC
100HZ
1.5ms/1.5ms
<15%(Sr)
<5%(Sr)
IP67
-25°C— +70°C
<10%(Sr)
YES
350mA
PBT

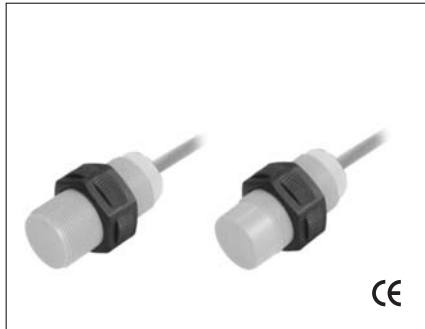
C1C1P3020NO3A2	1	C1C2P3030NO3A2
C1C1P3020NC3A2	2	C1C2P3030NC3A2
C1C1P3020PO3A2	3	C1C2P3030PO3A2
C1C1P3020PC3A2	4	C1C2P3030PC3A2
C1C1P3020PS4A2	6	C1C2P3030PS4A2
C1C1P3020NS4A2	5	C1C2P3030NS4A2



5.8φ 3x0.5(5.8 φ 4x0.5)	
Approx.197g	approx.195g

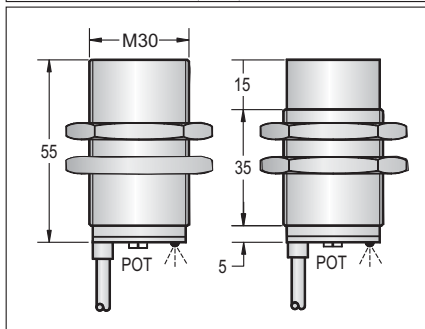
DC CAPACITIVE PROXIMITY SENSORS

M30	
●	○
2-20mm adjustable	2-30mm adjustable
PBT RESIN	
●	



10-30VDC
<10%
<10mA
200mA
<0.01mA
<2VDC
100HZ
1.5ms/1.5ms
<15%(Sr)
<5%(Sr)
IP67
-25°C— +70°C
<10%(Sr)
YES
220mA
PBT

C1C1P3020NO3S2	1	C1C2P3030NO3S2
C1C1P3020NC3S2	2	C1C2P3030NC3S2
C1C1P3020PO3S2	3	C1C2P3030PO3S2
C1C1P3020PC3S2	4	C1C2P3030PC3S2
C1C1P3020PS4S2	6	C1C2P3030PS4S2
C1C1P3020NS4S2	5	C1C2P3030NS4S2



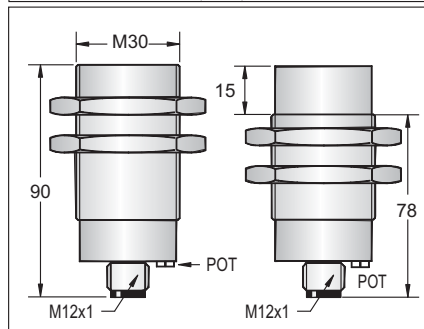
5.8φ 3x0.5(5.8 φ 4x0.5)	
Approx.190g	Approx.185g

M30	
●	○
2-20mm adjustable	2-30 mm adjustable
Nickel plated brass	
●	



10-30VDC
<10%
<10mA
300mA
<0.01mA
<2VDC
100HZ
1.5ms/1.5ms
<15%(Sr)
<5%(Sr)
IP67
-25°C— +70°C
<10%(Sr)
YES
350mA
PBT

C1C1B3020NOEA4	31	C1C2B3030NOEA4
C1C1B3020NCEA4	32	C1C2B3030NCEA4
C1C1B3020POEA4	33	C1C2B3030POEA4
C1C1B3020PCEA4	34	C1C2B3030PCEA4
C1C1B3020PSEA4	36	C1C2B3030PSEA4
C1C1B3020NSEA4	35	C1C2B3030NSEA4



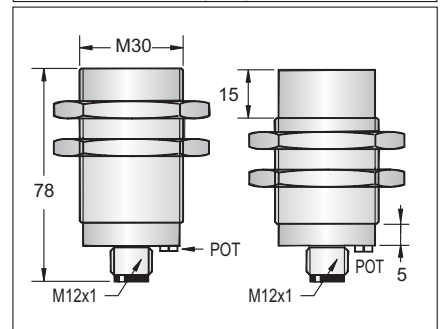
approx.147g	approx.137g
-------------	-------------

M30	
●	○
2-20mm adjustable	2-30 mm adjustable
Nickel plated brass	
●	



10-30VDC
<10%
<10mA
200mA
<0.01mA
<2VDC
100HZ
1.5ms/1.5ms
<15%(Sr)
<5%(Sr)
IP67
-25°C— +70°C
<10%(Sr)
YES
220mA
PBT

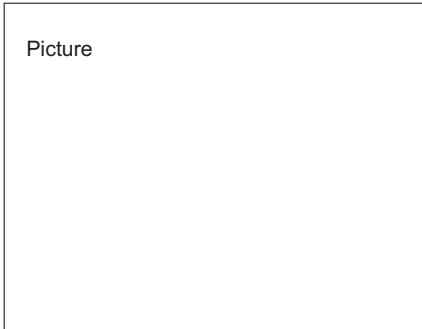
C1C1B3020NOES4	31	C1C2B3030NOES4
C1C1B3020NCES4	32	C1C2B3030NCES4
C1C1B3020POES4	33	C1C2B3030POES4
C1C1B3020PCES4	34	C1C2B3030PCES4
C1C1B3020PSES4	36	C1C2B3030PSES4
C1C1B3020NSES4	35	C1C2B3030NSES4



approx.147g	approx.137g
-------------	-------------

DC CAPACITIVE PROXIMITY SENSORS

Diameter
● Shielded ○ Non-shielded
Switching Distance Sn: mm
Housing Material
● With LED ○ Without LED



Operating Voltage
Ripple
No Load Current
Max. Load Current
Leakage Current
Voltage Drop
Switching Frequency
Response Time
Switching Hysteresis
Repeat Accuracy
Protection Category
Operating Temperature
Temperature Drift
Short Circuit Protection
Overload Trip Point
Material Active Face

DC 3 wire 10-30V NPN N.O.
DC 3 wire 10-30V NPN N.C.
DC 3 wire 10-30V PNP N.O.
DC 3 wire 10-30V PNP N.C.
DC 4 wire 10-30V Changeover PNP (N.O. & N.C.)
DC 4 wire 10-30V Changeover NPN (N.O. & N.C.)
DC 2 wire 10-60V N.O.
DC 2 wire 10-60V N.C.
DC 3 wire 10-55V NPN N.O.
DC 3 wire 10-55V NPN N.C.
DC 3 wire 10-55V PNP N.O.
DC 3 wire 10-55V PNP N.C.
DC 3 wire 5-36V NPN N.O.
DC 3 wire 5-36V NPN N.C.
DC 3 wire 5-36V PNP N.O.
DC 3 wire 5-36V PNP N.C.
DC 4 wire 5-36V Changeover PNP (N.O. & N.C.)
DC 4 wire 5-36V Changeover NPN (N.O. & N.C.)

Dimensions (unit: mm)

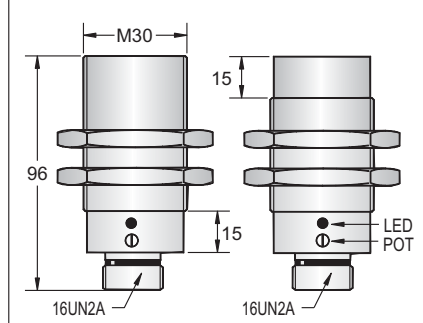
Cable 2M (PVC)
Weight

M30	
●	○
2-20mm adjustable	2-30 mm adjustable
Nickel plated brass	
●	



10-30VDC
<10%
<10m A
300m A
<0.01m A
<2VDC
100HZ
1.5ms/1.5ms
<15%(Sr)
<5%(Sr)
IP67
-25°C— +70°C
<10%(Sr)
YES
350mA
PBT

C1C1B3020NOZA4	43	C1C2B3030NOZA4
C1C1B3020NCZA4	44	C1C2B3030NCZA4
C1C1B3020POZA4	45	C1C2B3030POZA4
C1C1B3020PCZA4	46	C1C2B3030PCZA4
C1C1B3020PSZA4	48	C1C2B3030PSZA4
C1C1B3020NSZA4	47	C1C2B3030NSZA4



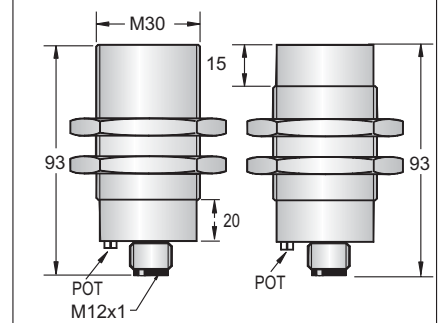
approx.187g	approx.179g
-------------	-------------

M30	
●	○
2-20 mm adjustable	2-30 mm adjustable
PBT RESIN	
●	



10-30VDC
<10%
<10mA
300mA
<0.01mA
<2VDC
100HZ
1.5ms/1.5ms
<15%(Sr)
<5%(Sr)
IP67
-25°C— +70°C
<10%(Sr)
YES
350mA
PBT

C1C1P3020NOEA4	31	C1C2P3030NOEA4
C1C1P3020NCEA4	32	C1C2P3030NCEA4
C1C1P3020POEA4	33	C1C2P3030POEA4
C1C1P3020PCEA4	34	C1C2P3030PCEA4
C1C1P3020PSEA4	36	C1C2P3030PSEA4
C1C1P3020NSEA4	35	C1C2P3030NSEA4



approx.103g	Approx.100g
-------------	-------------

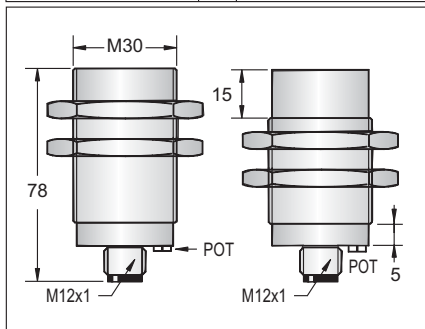
DC CAPACITIVE PROXIMITY SENSORS

M30	
●	○
2-20 mm adjustable	2-30 mm adjustable
PBT RESIN	



10-30VDC
<10%
<10mA
200mA
<0.01mA
<2VDC
100HZ
1.5ms/1.5ms
<15%(Sr)
<5%(Sr)
IP67
-25°C— +70°C
<10%(Sr)
YES
220mA
PBT

C1C1P3020NOES4	31	C1C2P3030NOES4
C1C1P3020NCES4	32	C1C2P3030NCES4
C1C1P3020POES4	33	C1C2P3030POES4
C1C1P3020PCES4	34	C1C2P3030PCES4
C1C1P3020PSES4	36	C1C2P3030PSES4
C1C1P3020NSES4	35	C1C2P3030NSES4



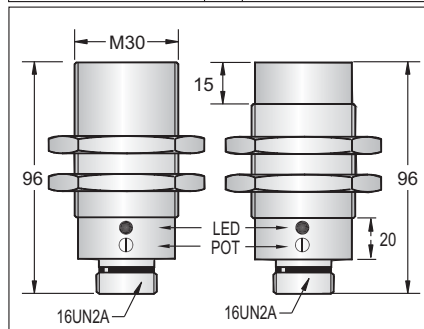
Approx.89g	Approx.89g
------------	------------

M30	
●	○
2-20 mm adjustable	2-30 mm adjustable
PBT RESIN	



10-30VDC
<10%
<10mA
300mA
<0.01mA
<2VDC
100HZ
1.5ms/1.5ms
<15%(Sr)
<5%(Sr)
IP67
-25°C— +70°C
<10%(Sr)
YES
350mA
PBT

C1C1P3020NOZA4	43	C1C2P3030NOZA4
C1C1P3020NCZA4	44	C1C2P3030NCZA4
C1C1P3020POZA4	45	C1C2P3030POZA4
C1C1P3020PCZA4	46	C1C2P3030PCZA4
C1C1P3020PSZA4	48	C1C2P3030PSZA4
C1C1P3020NSZA4	47	C1C2P3030NSZA4



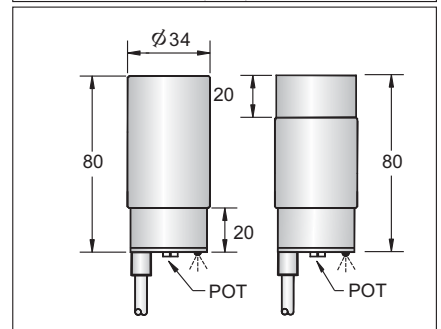
approx.103g	approx.120g
-------------	-------------

Ø34	
●	○
2-25 mm adjustable	2-35 mm adjustable
PBT RESIN	



10-30VDC
<10%
<10mA
300mA
<0.01mA
<2VDC
100HZ
1.5ms/1.5ms
<15%(Sr)
<5%(Sr)
IP67
-25°C— +70°C
<10%(Sr)
YES
350mA
PBT

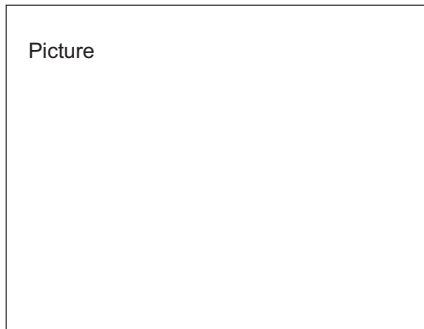
C1D1P3425NO3A2	1	C1D2P3435NO3A2
C1D1P3425NC3A2	2	C1D2P3435NC3A2
C1D1P3425PO3A2	3	C1D2P3435PO3A2
C1D1P3425PC3A2	4	C1D2P3435PC3A2
C1D1P3425PS4A2	6	C1D2P3435PS4A2
C1D1P3425NS4A2	5	C1D2P3435NS4A2



approx.248g	approx.251g
-------------	-------------

DC CAPACITIVE PROXIMITY SENSORS

Diameter
● Shielded ○ Non-shielded
Switching Distance Sn: mm
Housing Material
● With LED ○ Without LED



Operating Voltage
Ripple
No Load Current
Max. Load Current
Leakage Current
Voltage Drop
Switching Frequency
Response Time
Switching Hysteresis
Repeat Accuracy
Protection Category
Operating Temperature
Temperature Drift
Short Circuit Protection
Overload Trip Point
Material Active Face

DC 3 wire 10-30V NPN N.O.
DC 3 wire 10-30V NPN N.C.
DC 3 wire 10-30V PNP N.O.
DC 3 wire 10-30V PNP N.C.
DC 4 wire 10-30V Changeover PNP (N.O. & N.C.)
DC 4 wire 10-30V Changeover NPN (N.O. & N.C.)
DC 2 wire 10-60V N.O.
DC 2 wire 10-60V N.C.
DC 3 wire 10-55V NPN N.O.
DC 3 wire 10-55V NPN N.C.
DC 3 wire 10-55V PNP N.O.
DC 3 wire 10-55V PNP N.C.
DC 3 wire 5-36V NPN N.O.
DC 3 wire 5-36V NPN N.C.
DC 3 wire 5-36V PNP N.O.
DC 3 wire 5-36V PNP N.C.
DC 4 wire 5-36V Changeover PNP (N.O. & N.C.)
DC 4 wire 5-36V Changeover NPN (N.O. & N.C.)

Dimensions (unit: mm)

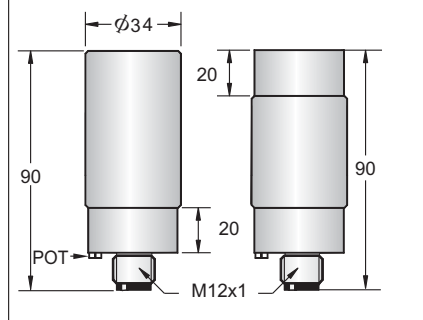
Cable 2M (PVC)
Weight

φ 34	
●	○
2-25 mm adjustable	2-35 mm adjustable
PBT RESIN	
●	



10-30VDC
<10%
<10mA
300mA
<0.01mA
<2 VDC
100HZ
1.5ms/1.5ms
<15%(Sr)
<5%(Sr)
IP67
-25°C- +70°C
<10%(Sr)
YES
350m A
PBT

C1D1P3425NOEA4	31	C1D2P3435NOEA4
C1D1P3425NCEA4	32	C1D2P3435NCEA4
C1D1P3425POEA4	33	C1D2P3435POEA4
C1D1P3425PCEA4	34	C1D2P3435PCEA4
C1D1P3425PSEA4	36	C1D2P3435PSEA4
C1D1P3425NSEA4	35	C1D2P3435NSEA4



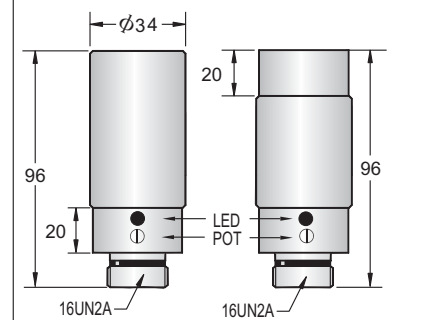
approx.162g

φ 34	
●	○
2-25 mm adjustable	2-35 mm adjustable
PBT RESIN	
●	



10-30VDC
<10%
<10mA
300mA
<0.01mA
<2 VDC
100HZ
1.5ms/1.5ms
<15%(Sr)
<5%(Sr)
IP67
-25°C- +70°C
<10%(Sr)
YES
350m A
PBT

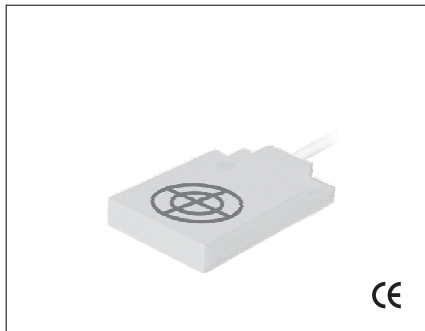
C1D1P3425NOZA4	43	C1D2P3435NOZA4
C1D1P3425NCZA4	44	C1D2P3435NCZA4
C1D1P3425POZA4	45	C1D2P3435POZA4
C1D1P3425PCZA4	46	C1D2P3435PCZA4
C1D1P3425PSZA4	48	C1D2P3435PSZA4
C1D1P3425NSZA4	47	C1D2P3435NSZA4



approx.162g

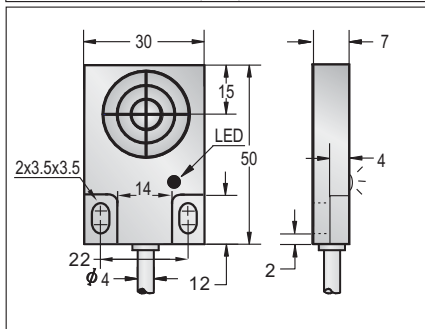
DC CAPACITIVE PROXIMITY SENSORS

Q30x50x7	
●	○
2-6 mm adjustable	2-10 mm adjustable
PBT RESIN	
●	



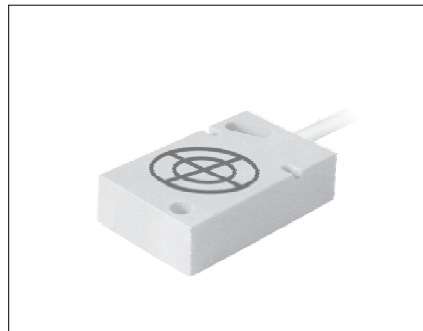
10-30VDC
<10%
<10mA
200mA
<0.01mA
<2 VDC
100HZ
1.5ms/1.5ms
<15%(Sr)
<5%(Sr)
IP67
-25°C- +70°C
<10%(Sr)
YES
220mA
PBT

C1S1P3006NO3A2/T	1	C1S2P3010NO3A2/T
C1S1P3006NC3A2/T	2	C1S2P3010NC3A2/T
C1S1P3006PO3A2/T	3	C1S2P3010PO3A2/T
C1S1P3006PC3A2/T	4	C1S2P3010PC3A2/T



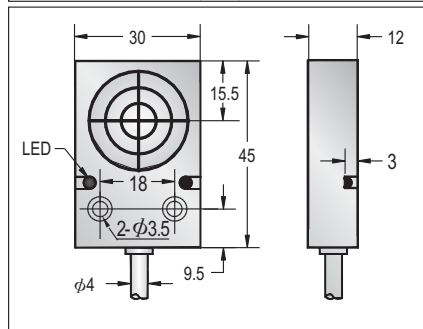
4 ϕ 3x0.15
Approx.90 g

Q30x45x12	
●	○
2-10 mm adjustable	2-15 mm adjustable
PBT RESIN	
●	



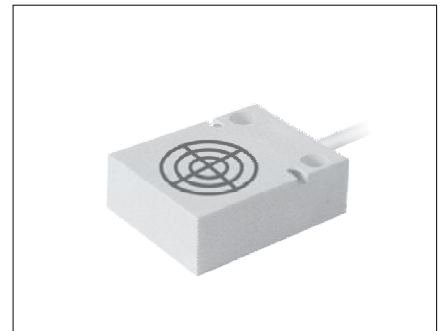
10-30VDC
<10%
<10mA
200mA
<0.01mA
<2 VDC
100HZ
1.5ms/1.5ms
<15%(Sr)
<5%(Sr)
IP67
-25°C- +70°C
<10%(Sr)
YES
220mA
PBT

C1S1P3010NO3A2/T	1	C1S2P3015NO3A2/T
C1S1P3010NC3A2/T	2	C1S2P3015NC3A2/T
C1S1P3010PO3A2/T	3	C1S2P3015PO3A2/T
C1S1P3010PC3A2/T	4	C1S2P3015PC3A2/T



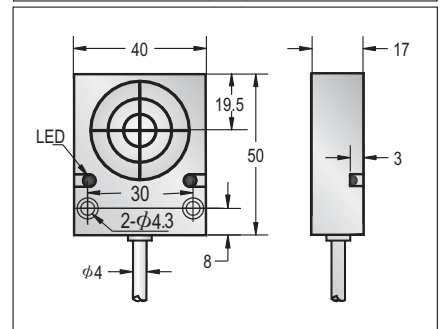
4 ϕ 3x0.15 or 4 ϕ 4x0.15
approx.100g

Q40x50x17	
●	○
2-15 mm adjustable	2-20 Mm adjustable
PBT RESIN	
●	



10-30VDC
<10%
<10mA
200mA
<0.01mA
<2 VDC
100HZ
1.5ms/1.5ms
<15%(Sr)
<5%(Sr)
IP67
-25°C- +70°C
<10%(Sr)
YES
220mA
PBT

C1S1P4015NO3A2/T	1	C1S2P4020NO3A2/T
C1S1P4015NC3A2/T	2	C1S2P4020NC3A2/T
C1S1P4015PO3A2/T	3	C1S2P4020PO3A2/T
C1S1P4015PC3A2/T	4	C1S2P4020PC3A2/T



4 ϕ 3x0.15 or 4 ϕ 4x0.15
approx.120g