

LMK 458



Probe for Marine and Offshore

Ceramic Sensor

accuracy according to IEC 60770:
standard: 0.25 % FSO
option: 0.1 % FSO

Nominal pressure

from 0 ... 40 cmH₂O up to 0 ... 200 mH₂O

Output signals

2-wire: 4 ... 20 mA
others on request

Special characteristics

- ▶ diameter 39.5 mm
- ▶ LR-certificate (Lloyd's Register)
- ▶ DNV-GL Approval (Det Norske Veritas ▪ Germanischer Lloyd)
- ▶ ABS-certificate (American Bureau of Shipping)
- ▶ CCS-certificate (China Classification Society)
- ▶ high overpressure resistance
- ▶ high long-term stability



Optional versions

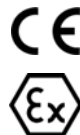
- ▶ diaphragm Al₂O₃ 99.9 %
- ▶ different housing materials (stainless steel, CuNiFe)
- ▶ IS-version
Ex ia = intrinsically safe for gas
- ▶ screw-in and flange version
- ▶ accessories e.g. assembling and probe flange, mounting clamp

The hydrostatic probe LMK 458 has been developed for measuring level in service and storage tanks and is certificated for shipbuilding and offshore applications.

A permissible operating temperature up to 125 °C and the possibility to use the device in intrinsic safe areas enable to measure the pressure of various fluids under extreme conditions. The basis for the LMK 458 is a capacitive ceramic sensor element designed by BD|SENSORS, which offers a high overload resistance and medium compatibility.

Preferred areas of use are

-  **Water**
drinking water abstraction
desalinization plant
-  **Shipbuilding / Offshore**
ballast tanks
monitoring of a ship's position and draught
level measurement in ballast and storage tanks



LMK 458

Probe for Marine and Offshore

Technical Data

Pressure ranges																	
Nominal pressure ¹	[bar]	0.04	0.06	0.1	0.16	0.25	0.4	0.6	1	1.6	2.5	4	6	10	16	20	
Level	[mH ₂ O]	0.4	0.6	1	1.6	2.5	4	6	10	16	25	40	60	100	160	200	
Overpressure	[bar]	2	2	4	4	6	6	8	8	15	25	25	35	35	45	45	
Permissible vacuum	[bar]	-0.2		-0.3		-0.5			-1								
¹ available in gauge and absolute; nominal pressure ranges absolute from 1 bar																	
Output signal / Supply																	
Standard	2-wire: 4 ... 20 mA / V _S = 10 ... 32 V _{DC}									V _S rated = 24 V _{DC}							
Option IS-version	2-wire: 4 ... 20 mA / V _S = 12 ... 28 V _{DC}									V _S rated = 24 V _{DC}							
Performance																	
Accuracy ²	standard: $\leq \pm 0.25\%$ FSO									option: for p _N ≥ 0.6 bar ³ : $\leq \pm 0.1\%$ FSO							
Permissible load	R _{max} = [(V _S - V _S min) / 0.02 A] Ω																
Long term stability	$\leq \pm 0.1\%$ FSO / year at reference conditions																
Influence effects	supply: 0.05 % FSO / 10 V									permissible load: 0.05 % FSO / kΩ							
Turn-on time	700 msec																
Mean response time	< 200 msec									mean measuring rate 5/sec							
Max. response time	380 msec																
² accuracy according to IEC 60770 – limit point adjustment (non-linearity, hysteresis, repeatability)																	
³ under the influence of disturbance burst according to EN 61000-4-4 (2004) +2 kV accuracy decreased to $\leq \pm 0.25\%$ FSO																	
Thermal effects (offset and span) / Permissible temperatures																	
Tolerance band	$\leq \pm 1\%$ FSO									in compensated range -20 ... 80 °C							
Permissible temperatures	medium / electronics / environment: -25 ... 125 °C									storage: -40 ... 125 °C							
Electrical protection ⁴																	
Short-circuit protection	permanent																
Reverse polarity protection	no damage, but also no function																
Electromagnetic compatibility	emission and immunity according to - EN 61326 - DNV•GL (Det Norske Veritas • Germanischer Lloyd)																
⁴ additional external overvoltage protection unit in terminal box KL 1 or KL 2 with atmospheric pressure reference available																	
Mechanical stability																	
Vibration	4 g (according to DNV•GL: class B, curve 2 / basis: DIN EN 60068-2-6)																
Electrical connection																	
Cable with sheath material ⁵	TPE-U blue Ø 7.4 mm																
Bending radius	static installation: 10-fold cable diameter									dynamic application: 20-fold cable diameter							
⁵ shielded cable with integrated ventilation tube for atmospheric pressure reference (for nominal pressure ranges absolute, the ventilation tube is closed)																	
Materials																	
Housing	standard: stainless steel 1.4404 (316L) option: CuNi10Fe1Mn (resistant against sea water) others on request																
Seals (media wetted)	standard: FKM options: EPDM, FFKM (min. permissible temperature from -15 °C) others on request																
Diaphragm	standard: ceramics Al ₂ O ₃ 96 % option: ceramics Al ₂ O ₃ 99.9 %																
Protection cap	POM-C																
Cable sheath	TPE-U (flame-resistant, halogen free, increased resistance against oil and gasoline, resistant against salt, sea water, heavy oil)																
Miscellaneous																	
Option cable protection for probes in stainless steel	prepared for mounting with stainless steel pipe; available as compact product (standard: stainless steel pipe with a total length up to 2 m possible; other lengths on request)																
Ingress protection	IP 68																
Current consumption	max. 21 mA																
Weight	min. 650 g (without cable)																
CE-conformity	EMC Directive: 2014/30/EU																
ATEX Directive	2014/34/EU																
Option Pt 100 temperature element ⁶																	
Temperature range	-25 ... 125 °C																
Connection temperature element	3-wire																
Resistance	100 Ω at 0 °C																
Temperature coefficient	3850 ppm/K																
Supply I _S	0.3 ... 1.0 mA _{DC}																
⁶ not possible in combination with IS-version																	
Category of the environment																	
Lloyd's Register (LR)	EMV1, EMV2, EMV3, EMV4									number of certificate: 13/20056							
Det Norske Veritas • Germanischer Lloyd (DNV•GL)	temperature: D			vibration: B			humidity: B				enclosure: D			number of certificate: TAA00001GM electromagnetic compatibility: B			
Explosion protection ⁷																	
Approval DX14A-LMK 458	IBExU 07 ATEX 1180 X									zone 0 ⁸ : II 1G Ex ia IIB T4 Ga							
Safety technical maximum values	U _i = 28 V, I _i = 93 mA, P _i = 660 mW, C _i = 105 nF; L _i = 0 μH; the supply connections have an inner capacity of max. 140 nF opposite the enclosure																
Permissible temperatures for environment	in zone 0: -20 ... 60 °C with p _{atm} 0.8 bar up to 1.1 bar zone 1 and higher: -25 ... 70 °C																
Connecting cables (by factory)	cable capacity: signal line/shield as well as signal line/signal line: 160 pF/m cable inductance: signal line/shield as well as signal line/signal line: 1 μH/m																
⁷ not possible in combination with Pt 100 temperature element																	
⁸ for optional stainless steel pipe the following designation is valid: "II 1 G Ex ia IIC T4" (zone 0)																	

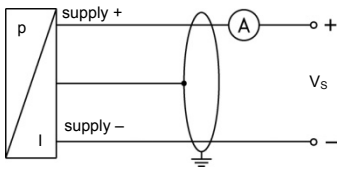
LMK 458

Probe for Marine and Offshore

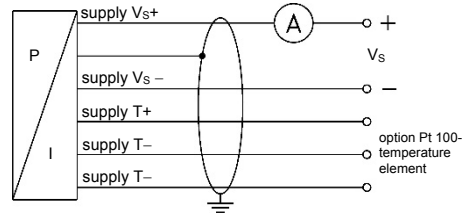
Technical Data

Wiring diagrams

2-wire-system (current)



2-wire-system current (pressure) / 3-wire-system (temperature)



Pin configuration

Electrical connection

cable colours (IEC 60757)

Supply Vs +
Supply Vs -
Option Pt 100 temperature element:
Supply T+
Supply T-
Supply T-
Shield

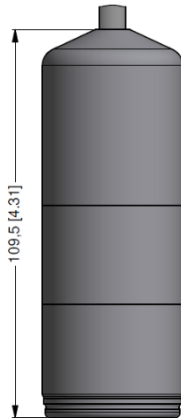
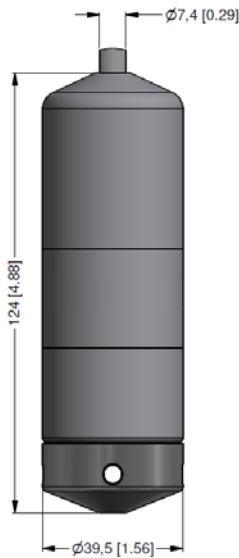
WH (white)
BN (brown)

YE (yellow)
GY (grey)
PK (pink)

GNYE (green-yellow)

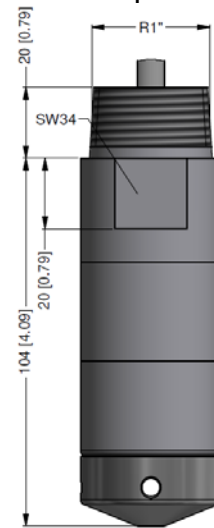
Dimensions for housing in stainless steel and CuNiFe (mm / in)

probe



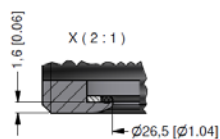
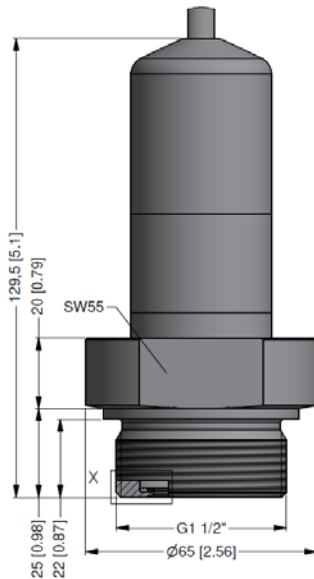
protection cap removable

option

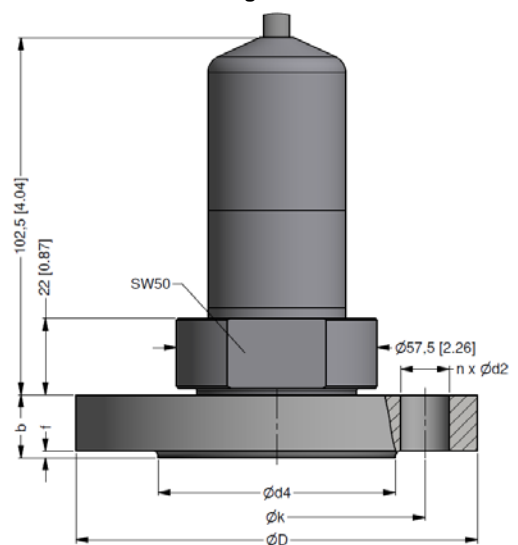


prepared for mounting with stainless steel pipe

screw-in version

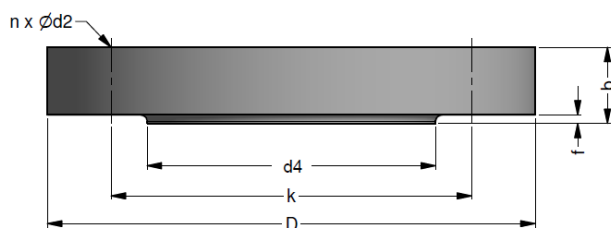


flange version



⇒ transmitter flange is not part of supply and has to be ordered separately

Transmitter flange for flange version



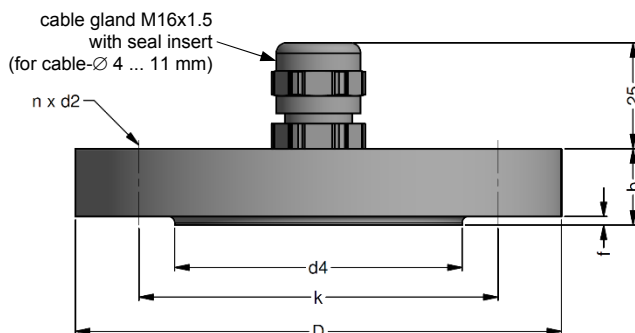
dimensions in mm			
size	DN25 / PN40	DN50 / PN40	DN80 / PN16
b	18	20	20
D	115	165	200
d2	14	18	18
d4	68	102	138
f	2	3	3
k	85	125	160
n	4	4	8

Technical data

Suitable for	LMK 382, LMK 382H, LMK 458, LMK 458H
Flange material	stainless steel 1.4404 (316L)
Hole pattern	according to DIN 2507

Ordering type	Ordering code	Weight
Transmitter flange DN25 / PN40	ZSF2540	1.2 kg
Transmitter flange DN50 / PN40	ZSF5040	2.6 kg
Transmitter flange DN80 / PN16	ZSF8016	4.1 kg

Mounting flange with cable gland



dimensions in mm			
size	DN25 / PN40	DN50 / PN40	DN80 / PN16
b	18	20	20
D	115	165	200
d2	14	18	18
d4	68	102	138
f	2	3	3
k	85	125	160
n	4	4	8

Technical data

Suitable for	all probes
Flange material	stainless steel 1.4404 (316L)
Material of cable gland	standard: brass, nickel plated on request: stainless steel 1.4305 (303); plastic
Seal insert	material: TPE (ingress protection IP 68)
Hole pattern	according to DIN 2507

Ordering type	Ordering code	Weight
DN25 / PN40 with cable gland brass, nickel plated	ZMF2540	1.4 kg
DN50 / PN40 with cable gland brass, nickel plated	ZMF5040	3.2 kg
DN80 / PN16 with cable gland brass, nickel plated	ZMF8016	4.8 kg

Ordering code LMK 458

LMK 458



Pressure		7	6	5																
	in bar, gauge	7	6	5																
	in bar, absolute ¹	7	6	8																
	in mH ₂ O	7	6	6																
Input		[mH ₂ O]	[bar]																	
	0.4	0.04		0	4	0	0													
	0.6	0.06		0	6	0	0													
	1.0	0.10		1	0	0	0													
	1.6	0.16		1	6	0	0													
	2.5	0.25		2	5	0	0													
	4.0	0.40		4	0	0	0													
	6.0	0.60		6	0	0	0													
	10	1.0		1	0	0	1													
	16	1.6		1	6	0	1													
	25	2.5		2	5	0	1													
	40	4.0		4	0	0	1													
	60	6.0		6	0	0	1													
	100	10		1	0	0	2													
	160	16		1	6	0	2													
	200	20		2	0	0	2													
	customer			9	9	9														consult
Housing																				
	stainless steel 1.4404 (316L)						1													
	copper-nickel-alloy (CuNi10Fe1Mn)						K													
	customer						9													consult
Design																				
	probe						1													
	flange version ²						3													
	screw-in version						5													
Diaphragm																				
	ceramics Al ₂ O ₃ 96%						2													
	ceramics Al ₂ O ₃ 99.9%						C													
	customer						9													consult
Output																				
	4 ... 20 mA / 2-wire						1													
	intrinsic safety 4 ... 20 mA / 2-wire						E													
	customer						9													consult
Seals																				
	FKM						1													
	EPDM						3													
	FFKM ³						7													
	customer						9													consult
Electrical connection																				
	TPE-U-cable (blue, Ø 7.4 mm) ⁴						4													
	customer						9													consult
Accuracy																				
	standard	0.25 % FSO					2													
	option für P _N ≥ 0.6 bar:	0.1 % FSO					1													
	customer						9													consult
Cable length																				
	in m													9	9	9				
Special version																				
	standard																			0 0 0
	with temperature sensor Pt 100 ⁵																			0 1 3
	prepared for mounting ⁶																			5 0 2
	with stainless steel pipe																			9 9 9
	customer																			consult

¹ nominal pressure ranges absolute from 1 bar
² mounting accessories are not part of supply and have to be ordered separately
³ min. permissible temperature from -15°C
⁴ shielded cable with integrated ventilation tube for atmospheric reference
⁵ not possible in combination with IS-version
⁶ possible for probes in stainless steel; stainless steel pipe is not part of the supply

© 2019 BD|SENSORS GmbH - The specifications given in this document represent the state of engineering at the time of publishing. We reserve the right to make modifications to the specifications and materials.