


DC INDUCTIVE PROXIMITY SENSOR 5 WAY ROTATABL SENSING HEAD

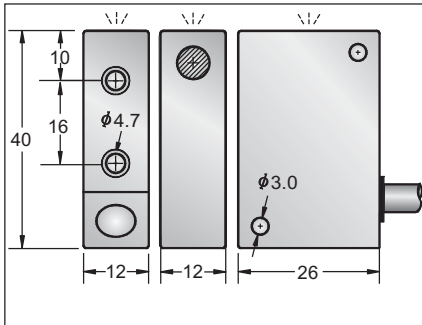
| | |
|-----------|------|
| Q25x40x12 | |
| ● | ○ |
| 2 mm | 4 mm |
| PBT RESIN | |
| ● | |



CE


| | |
|--------------------------------|---------|
| 10-30VDC / 10-55VDC / 10-60VDC | |
| <10% | |
| <10mA | |
| 200mA | |
| <0.01mA | |
| <1.5V | |
| 300HZ | 100HZ |
| 0.5ms/0.5ms | 1ms/1ms |
| <15%(Sr) | |
| <1.0%(Sr) | |
| IP67 | |
| -25 °C - +70 °C | |
| <10%(Sr) | |
| YES | |
| 220mA | |
| PBT | |

| | | | |
|----------------|---|----------------|----|
| P1S1P4002NO3A2 | 1 | P1S2P4004NO3A2 | 31 |
| P1S1P4002NC3A2 | 2 | P1S2P4004NC3A2 | 32 |
| P1S1P4002PO3A2 | 3 | P1S2P4004PO3A2 | 33 |
| P1S1P4002PC3A2 | 4 | P1S2P4004PC3A2 | 34 |
| P1S1P4002PS4A2 | 6 | P1S2P4004PS4A2 | 36 |
| P1S1P4002NS4A2 | 5 | P1S2P4004NS4A2 | 35 |
| P4S1P4002CO2A2 | 7 | P4S2P4004CO2A2 | 37 |
| P4S1P4002CC2A2 | 8 | P4S2P4004CC2A2 | 38 |
| P3S1P4002NO3A2 | 1 | P3S2P4004NO3A2 | 31 |
| P3S1P4002NC3A2 | 2 | P3S2P4004NC3A2 | 32 |
| P3S1P4002PO3A2 | 3 | P3S2P4004PO3A2 | 33 |
| P3S1P4002PC3A2 | 4 | P3S2P4004PC3A2 | 34 |



4.0 ϕ 3x0.15, 4x0.15, 2x0.34
Approx.133 g

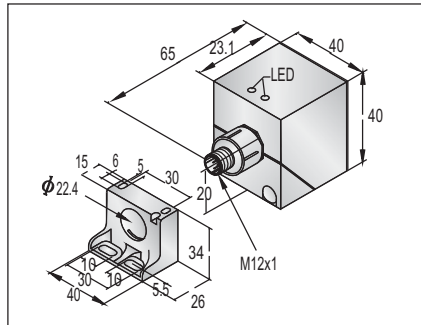
| | |
|-----------|--|
| Q40s | |
| ● | |
| 15 mm | |
| PBT RESIN | |
| ● | |



CE


| | |
|--------------------------------|---------|
| 10-30VDC / 10-55VDC / 10-60VDC | |
| <10% | |
| <10mA | |
| 200mA | |
| <0.01mA | |
| <1.5V | |
| 100HZ | 100HZ |
| 1ms/1ms | 1ms/1ms |
| <15%(Sr) | |
| <1.0%(Sr) | |
| IP67 | |
| -25 °C - +75 °C | |
| <10%(Sr) | |
| YES | |
| 220mA | |
| PBT | |

| | |
|----------------|----|
| P1S1P4015NOES4 | 31 |
| P1S1P4015NCES4 | 32 |
| P1S1P4015POES4 | 33 |
| P1S1P4015PCES4 | 34 |
| P1S1P4015PSES4 | 36 |
| P1S1P4015NSES4 | 35 |
| P4S1P4015COES4 | 37 |
| P4S1P4015CCES4 | 38 |
| P3S1P4015NOES4 | 31 |
| P3S1P4015NCES4 | 32 |
| P3S1P4015POES4 | 33 |
| P3S1P4015PCES4 | 34 |



Approx.170 g

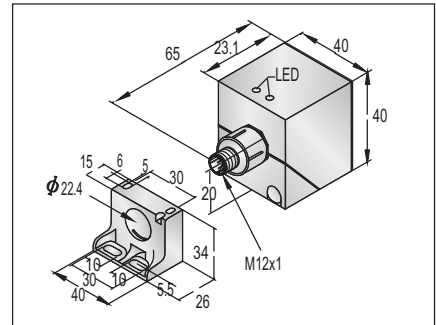
| | |
|-----------|--|
| Q40s | |
| ○ | |
| 30 mm | |
| PBT RESIN | |
| ● | |



CE

| | |
|--------------------------------|---------|
| 10-30VDC / 10-55VDC / 10-60VDC | |
| <10% | |
| <10mA | |
| 200mA | |
| <0.01mA | |
| <1.5V | |
| 100HZ | 100HZ |
| 1ms/1ms | 1ms/1ms |
| <15%(Sr) | |
| <1.0%(Sr) | |
| IP67 | |
| -25 °C - +75 °C | |
| <10%(Sr) | |
| YES | |
| 220mA | |
| PBT | |

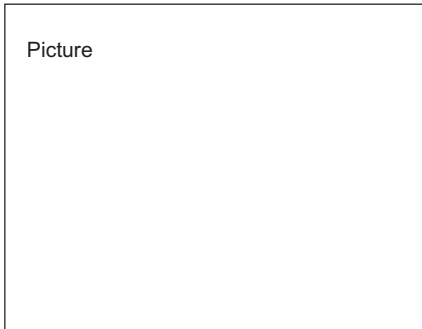
| | |
|----------------|----|
| P1S2P4030NOES4 | 31 |
| P1S2P4030NCES4 | 32 |
| P1S2P4030POES4 | 33 |
| P1S2P4030PCES4 | 34 |
| P1S2P4030PSES4 | 36 |
| P1S2P4030NSES4 | 35 |
| P4S2P4030COES4 | 37 |
| P4S2P4030CCES4 | 38 |
| P3S2P4030NOES4 | 31 |
| P3S2P4030NCES4 | 32 |
| P3S2P4030POES4 | 33 |
| P3S2P4030PCES4 | 34 |



Approx.170 g

DC INDUCTIVE PROXIMITY SENSOR 5 WAY ROTATABLE SENSING HEAD

| |
|------------------------------|
| Diameter |
| ● Shielded ○ Non-shielded |
| Switching Distance Sn: mm |
| Housing Material |
| ● With LED ○ Without LED |



| |
|--------------------------|
| Operating Voltage |
| Ripple |
| No Load Current |
| Max. Load Current |
| Leakage Current |
| Voltage Drop |
| Switching Frequency |
| Response Time |
| Switching Hysteresis |
| Repeat Accuracy |
| Protection Category |
| Operating Temperature |
| Temperature Drift |
| Short Circuit Protection |
| Overload Trip Point |
| Material Active Face |

| |
|---|
| DC 3 wire 10-30V NPN N.O. |
| DC 3 wire 10-30V NPN N.C. |
| DC 3 wire 10-30V PNP N.O. |
| DC 3 wire 10-30V PNP N.C. |
| DC 4 wire 10-30V Changeover PNP (N.O. & N.C.) |
| DC 4 wire 10-30V Changeover NPN (N.O. & N.C.) |
| DC 2 wire 10-60V N.O. * |
| DC 2 wire 10-60V N.C. * |
| DC 3 wire 10-55V NPN N.O. |
| DC 3 wire 10-55V NPN N.C. |
| DC 3 wire 10-55V PNP N.O. |
| DC 3 wire 10-55V PNP N.C. |
| DC 3 wire 5-36V NPN N.O. |
| DC 3 wire 5-36V NPN N.C. |
| DC 3 wire 5-36V PNP N.O. |
| DC 3 wire 5-36V PNP N.C. |
| DC 4 wire 5-36V Changeover PNP (N.O. & N.C.) |
| DC 4 wire 5-36V Changeover NPN (N.O. & N.C.) |

| |
|--|
| Dimensions (unit: mm) |
| * : DC 2wire 10-60V specifications see page 3-05. Other is same. |

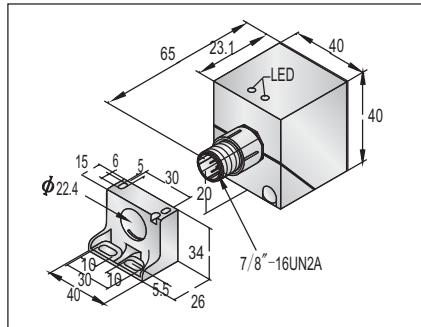
| |
|----------------|
| Cable 2M (PVC) |
| Weight |

| |
|-----------|
| Q40s |
| ● |
| 15 mm |
| PBT RESIN |
| ● |



| |
|--------------------------------|
| 10-30VDC / 10-55VDC / 10-60VDC |
| <10% |
| <10mA |
| 200mA |
| <0.01mA |
| <1.5V |
| 100HZ |
| 1ms/1ms |
| <15%(Sr) |
| <1.0%(Sr) |
| IP67 |
| -25 °C - +75 °C |
| <10%(Sr) |
| YES |
| 220mA |
| PBT |

| | |
|----------------|----|
| P1S1P4015NOZS4 | 43 |
| P1S1P4015NCZS4 | 44 |
| P1S1P4015POZS4 | 45 |
| P1S1P4015PCZS4 | 46 |
| P1S1P4015PSZS4 | 48 |
| P1S1P4015NSZS4 | 47 |
| P4S1P4015COZS4 | 49 |
| P4S1P4015CCZS4 | 50 |
| P3S1P4015NOZS4 | 43 |
| P3S1P4015NCZS4 | 44 |
| P3S1P4015POZS4 | 45 |
| P3S1P4015PCZS4 | 46 |



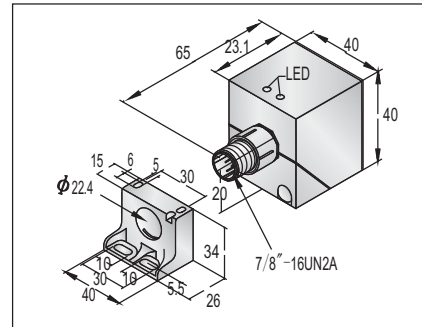
| |
|--------------|
| Approx.170 g |
|--------------|

| |
|-----------|
| Q40s |
| ○ |
| 30 mm |
| PBT RESIN |
| ● |



| |
|--------------------------------|
| 10-30VDC / 10-55VDC / 10-60VDC |
| <10% |
| <10mA |
| 200mA |
| <0.01mA |
| <1.5V |
| 100HZ |
| 1ms/1ms |
| <15%(Sr) |
| <1.0%(Sr) |
| IP67 |
| -25 °C - +75 °C |
| <10%(Sr) |
| YES |
| 220mA |
| PBT |

| | |
|----------------|----|
| P1S2P4030NOZS4 | 43 |
| P1S2P4030NCZS4 | 44 |
| P1S2P4030POZS4 | 45 |
| P1S2P4030PCZS4 | 46 |
| P1S2P4030PSZS4 | 48 |
| P1S2P4030NSZS4 | 47 |
| P4S2P4030COZS4 | 49 |
| P4S2P4030CCZS4 | 50 |
| P3S2P4030NOZS4 | 43 |
| P3S2P4030NCZS4 | 44 |
| P3S2P4030POZS4 | 45 |
| P3S2P4030PCZS4 | 46 |



| |
|--------------|
| Approx.170 g |
|--------------|

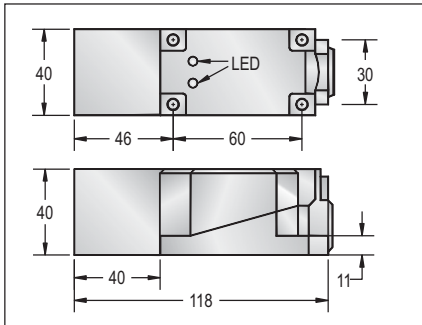
DC INDUCTIVE PROXIMITY SENSOR 5 WAY ROTATABL SENSING HEAD

| |
|-----------|
| Q40 |
| ● |
| 15 mm |
| PBT RESIN |
| ● |



| |
|--------------------------------|
| 10-30VDC / 10-55VDC / 10-60VDC |
| <10% |
| <10mA |
| 200mA |
| <0.01mA |
| <1.5V |
| 100HZ |
| 1ms/1ms |
| <15%(Sr) |
| <1.0%(Sr) |
| IP67 |
| -25 °C - +75 °C |
| <10%(Sr) |
| YES |
| 220mA |
| PBT |

| | |
|---------------|---|
| P1S1P4015NO3A | 1 |
| P1S1P4015NC3A | 2 |
| P1S1P4015PO3A | 3 |
| P1S1P4015PC3A | 4 |
| P1S1P4015PS4A | 6 |
| P1S1P4015NS4A | 5 |
| P4S1P4015CO2A | 7 |
| P4S1P4015CC2A | 8 |
| P3S1P4015NO3A | 1 |
| P3S1P4015NC3A | 2 |
| P3S1P4015PO3A | 3 |
| P3S1P4015PC3A | 4 |



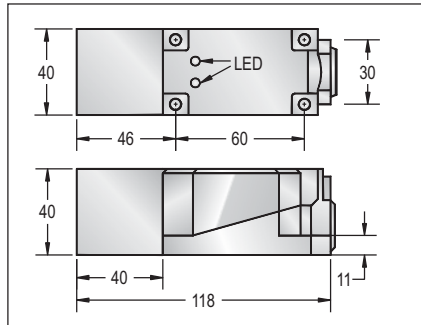
Approx.262 g

| |
|-----------|
| Q40 |
| ● |
| 20 mm |
| PBT RESIN |
| ● |



| |
|--------------------------------|
| 10-30VDC / 10-55VDC / 10-60VDC |
| <10% |
| <10mA |
| 200mA |
| <0.01mA |
| <1.5V |
| 100HZ |
| 1ms/1ms |
| <15%(Sr) |
| <1.0%(Sr) |
| IP67 |
| -25 °C - +75 °C |
| <10%(Sr) |
| YES |
| 220mA |
| PBT |

| | |
|---------------|---|
| P1S2P4020NO3A | 1 |
| P1S2P4020NC3A | 2 |
| P1S2P4020PO3A | 3 |
| P1S2P4020PC3A | 4 |
| P1S2P4020PS4A | 6 |
| P1S2P4020NS4A | 5 |
| P4S2P4020CO2A | 7 |
| P4S2P4020CC2A | 8 |
| P3S2P4020NO3A | 1 |
| P3S2P4020NC3A | 2 |
| P3S2P4020PO3A | 3 |
| P3S2P4020PC3A | 4 |



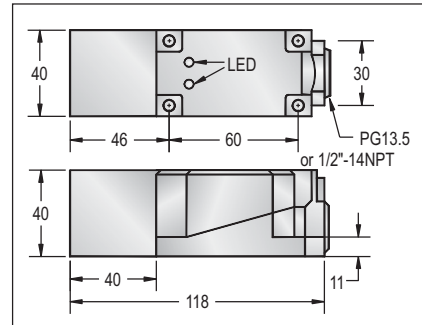
Approx.262 g

| |
|-----------|
| Q40 |
| ○ |
| 30 mm |
| PBT RESIN |
| ● |



| |
|--------------------------------|
| 10-30VDC / 10-55VDC / 10-60VDC |
| <10% |
| <10mA |
| 200mA |
| <0.01mA |
| <1.5V |
| 100HZ |
| 1ms/1ms |
| <15%(Sr) |
| <1.0%(Sr) |
| IP67 |
| -25 °C - +75 °C |
| <10%(Sr) |
| YES |
| 220mA |
| PBT |

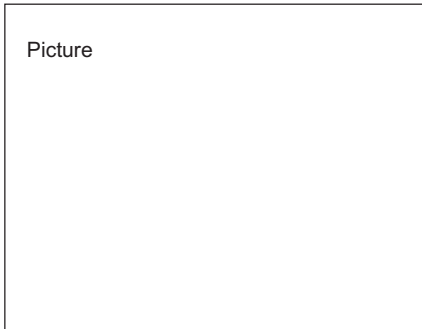
| | |
|---------------|---|
| P1S2P4030NO3A | 1 |
| P1S2P4030NC3A | 2 |
| P1S2P4030PO3A | 3 |
| P1S2P4030PC3A | 4 |
| P1S2P4030PS4A | 6 |
| P1S2P4030NS4A | 5 |
| P4S2P4030CO2A | 7 |
| P4S2P4030CC2A | 8 |
| P3S2P4030NO3A | 1 |
| P3S2P4030NC3A | 2 |
| P3S2P4030PO3A | 3 |
| P3S2P4030PC3A | 4 |



Approx.262 g

DC INDUCTIVE PROXIMITY SENSOR 5 WAY ROTATABL SENSING HEAD

| |
|------------------------------|
| Diameter |
| ● Shielded ○ Non-shielded |
| Switching Distance Sn: mm |
| Housing Material |
| ● With LED ○ Without LED |



| |
|--------------------------|
| Operating Voltage |
| Ripple |
| No Load Current |
| Max. Load Current |
| Leakage Current |
| Voltage Drop |
| Switching Frequency |
| Response Time |
| Switching Hysteresis |
| Repeat Accuracy |
| Protection Category |
| Operating Temperature |
| Temperature Drift |
| Short Circuit Protection |
| Overload Trip Point |
| Material Active Face |

| |
|---|
| DC 3 wire 10-30V NPN N.O. |
| DC 3 wire 10-30V NPN N.C. |
| DC 3 wire 10-30V PNP N.O. |
| DC 3 wire 10-30V PNP N.C. |
| DC 4 wire 10-30V Changeover PNP (N.O. & N.C.) |
| DC 4 wire 10-30V Changeover NPN (N.O. & N.C.) |
| DC 2 wire 10-60V N.O. * |
| DC 2 wire 10-60V N.C. * |
| DC 3 wire 10-55V NPN N.O. |
| DC 3 wire 10-55V NPN N.C. |
| DC 3 wire 10-55V PNP N.O. |
| DC 3 wire 10-55V PNP N.C. |
| DC 3 wire 5-36V NPN N.O. |
| DC 3 wire 5-36V NPN N.C. |
| DC 3 wire 5-36V PNP N.O. |
| DC 3 wire 5-36V PNP N.C. |
| DC 4 wire 5-36V Changeover PNP (N.O. & N.C.) |
| DC 4 wire 5-36V Changeover NPN (N.O. & N.C.) |

Dimensions (unit: mm)

* : DC 2wire 10-60V specifications see page 3-05. Other is same.

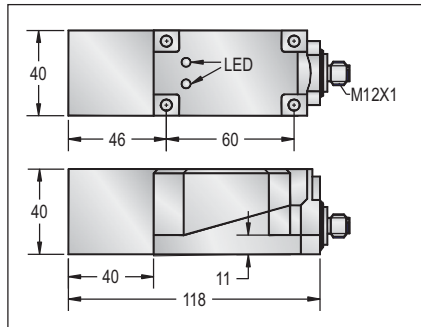
| |
|----------------|
| Cable 2M (PVC) |
| Weight |

| |
|-----------|
| Q40 |
| ● |
| 15 mm |
| PBT RESIN |
| ● |



| |
|--------------------------------|
| 10-30VDC / 10-55VDC / 10-60VDC |
| <10% |
| <10mA |
| 200mA |
| <0.01mA |
| <1.5V |
| 100HZ |
| 1ms/1ms |
| <15%(Sr) |
| <1.0%(Sr) |
| IP67 |
| -25 °C - +75 °C |
| <10%(Sr) |
| YES |
| 220mA |
| PBT |

| | |
|----------------|----|
| P1S1P4015NOEA4 | 31 |
| P1S1P4015NCEA4 | 32 |
| P1S1P4015POEA4 | 33 |
| P1S1P4015PCEA4 | 34 |
| P1S1P4015PSEA4 | 36 |
| P1S1P4015NSEA4 | 35 |
| P4S1P4015COEA4 | 37 |
| P4S1P4015CCEA4 | 38 |
| P3S1P4015NOEA4 | 31 |
| P3S1P4015NCEA4 | 32 |
| P3S1P4015POEA4 | 33 |
| P3S1P4015PCEA4 | 34 |



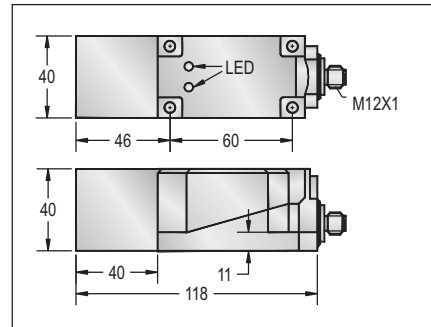
| |
|--------------|
| Approx.290 g |
|--------------|

| |
|-----------|
| Q40 |
| ○ |
| 20 mm |
| PBT RESIN |
| ● |



| |
|--------------------------------|
| 10-30VDC / 10-55VDC / 10-60VDC |
| <10% |
| <10mA |
| 200mA |
| <0.01mA |
| <1.5V |
| 100HZ |
| 1ms/1ms |
| <15%(Sr) |
| <1.0%(Sr) |
| IP67 |
| -25 °C - +75 °C |
| <10%(Sr) |
| YES |
| 220mA |
| PBT |

| | |
|----------------|----|
| P1S2P4020NOEA4 | 31 |
| P1S2P4020NCEA4 | 32 |
| P1S2P4020POEA4 | 33 |
| P1S2P4020PCEA4 | 34 |
| P1S2P4020PSEA4 | 36 |
| P1S2P4020NSEA4 | 35 |
| P4S2P4020COEA4 | 37 |
| P4S2P4020CCEA4 | 38 |
| P3S2P4020NOEA4 | 31 |
| P3S2P4020NCEA4 | 32 |
| P3S2P4020POEA4 | 33 |
| P3S2P4020PCEA4 | 34 |



| |
|--------------|
| Approx.290 g |
|--------------|

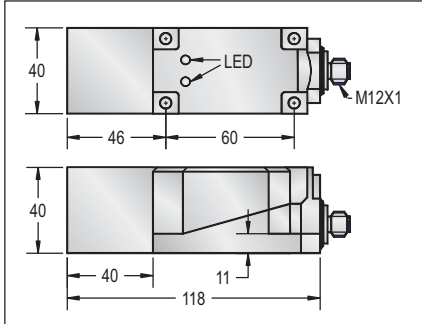
DC INDUCTIVE PROXIMITY SENSOR 5 WAY ROTATABL SENSING HEAD

| |
|-----------|
| Q40 |
| ○ |
| 30 mm |
| PBT RESIN |
| ● |



| |
|--------------------------------|
| 10-30VDC / 10-55VDC / 10-60VDC |
| <10% |
| <10mA |
| 200mA |
| <0.01mA |
| <1.5V |
| 100HZ |
| 1ms/1ms |
| <15%(Sr) |
| <1.0%(Sr) |
| IP67 |
| -25 °C - +75 °C |
| <10%(Sr) |
| YES |
| 220mA |
| PBT |

| | |
|----------------|----|
| P1S2P4030NOEA4 | 31 |
| P1S2P4030NCEA4 | 32 |
| P1S2P4030POEA4 | 33 |
| P1S2P4030PCEA4 | 34 |
| P1S2P4030PSEA4 | 36 |
| P1S2P4030NSEA4 | 35 |
| P4S2P4030COEA4 | 37 |
| P4S2P4030CCEA4 | 38 |
| P3S2P4030NOEA4 | 31 |
| P3S2P4030NCEA4 | 32 |
| P3S2P4030POEA4 | 33 |
| P3S2P4030PCEA4 | 34 |



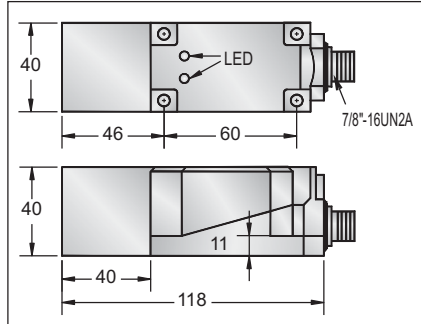
Approx.290 g

| |
|-----------|
| Q40 |
| ● |
| 15 mm |
| PBT RESIN |
| ● |



| |
|--------------------------------|
| 10-30VDC / 10-55VDC / 10-60VDC |
| <10% |
| <10mA |
| 200mA |
| <0.01mA |
| <1.5V |
| 100HZ |
| 1ms/1ms |
| <15%(Sr) |
| <1.0%(Sr) |
| IP67 |
| -25 °C - +75 °C |
| <10%(Sr) |
| YES |
| 220mA |
| PBT |

| | |
|----------------|----|
| P1S1P4015NOZA4 | 43 |
| P1S1P4015NCZA4 | 44 |
| P1S1P4015POZA4 | 45 |
| P1S1P4015PCZA4 | 46 |
| P1S1P4015PSZA4 | 48 |
| P1S1P4015NSZA4 | 47 |
| P4S1P4015COZA4 | 49 |
| P4S1P4015CCZA4 | 50 |
| P3S1P4015NOZA4 | 43 |
| P3S1P4015NCZA4 | 44 |
| P3S1P4015POZA4 | 45 |
| P3S1P4015PCZA4 | 46 |



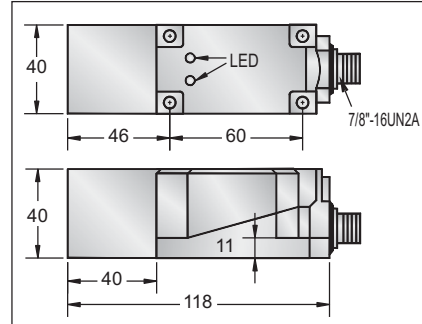
Approx.295 g

| |
|-----------|
| Q40 |
| ◐ |
| 20 mm |
| PBT RESIN |
| ● |



| |
|--------------------------------|
| 10-30VDC / 10-55VDC / 10-60VDC |
| <10% |
| <10mA |
| 200mA |
| <0.01mA |
| <1.5V |
| 100HZ |
| 1ms/1ms |
| <15%(Sr) |
| <1.0%(Sr) |
| IP67 |
| -25 °C - +75 °C |
| <10%(Sr) |
| YES |
| 220mA |
| PBT |

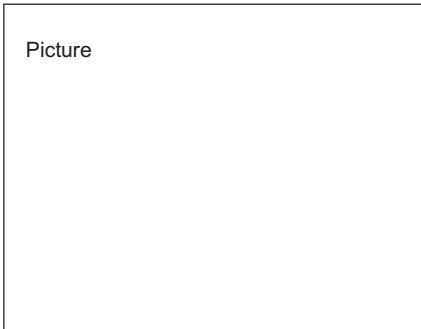
| | |
|----------------|----|
| P1S2P4020NOZA4 | 43 |
| P1S2P4020NCZA4 | 44 |
| P1S2P4020POZA4 | 45 |
| P1S2P4020PCZA4 | 46 |
| P1S2P4020PSZA4 | 48 |
| P1S2P4020NSZA4 | 47 |
| P4S2P4020COZA4 | 49 |
| P4S2P4020CCZA4 | 50 |
| P3S2P4020NOZA4 | 43 |
| P3S2P4020NCZA4 | 44 |
| P3S2P4020POZA4 | 45 |
| P3S2P4020PCZA4 | 46 |



Approx.295 g

DC INDUCTIVE PROXIMITY SENSOR 5 WAY ROTATABLE SENSING HEAD

| |
|------------------------------|
| Diameter |
| ● Shielded ○ Non-shielded |
| Switching Distance Sn: mm |
| Housing Material |
| ● With LED ○ Without LED |



| |
|-----------|
| Q40 |
| ○ |
| 30 mm |
| PBT RESIN |
| ● |



| |
|--------------------------|
| Operating Voltage |
| Ripple |
| No Load Current |
| Max. Load Current |
| Leakage Current |
| Voltage Drop |
| Switching Frequency |
| Response Time |
| Switching Hysteresis |
| Repeat Accuracy |
| Protection Category |
| Operating Temperature |
| Temperature Drift |
| Short Circuit Protection |
| Overload Trip Point |
| Material Active Face |

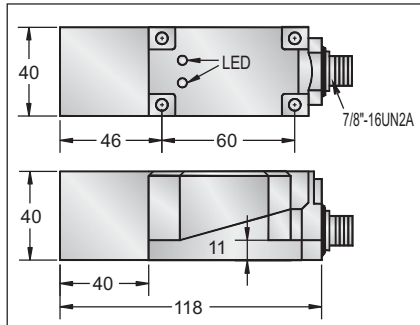
| |
|--------------------------------|
| 10-30VDC / 10-55VDC / 10-60VDC |
| <10% |
| <10mA |
| 200mA |
| <0.01mA |
| <1.5V |
| 100HZ |
| 1ms/1ms |
| <15%(Sr) |
| <1.0%(Sr) |
| IP67 |
| -25 °C - +75 °C |
| <10%(Sr) |
| YES |
| 220mA |
| PBT |

| |
|---|
| DC 3 wire 10-30V NPN N.O. |
| DC 3 wire 10-30V NPN N.C. |
| DC 3 wire 10-30V PNP N.O. |
| DC 3 wire 10-30V PNP N.C. |
| DC 4 wire 10-30V Changeover PNP (N.O. & N.C.) |
| DC 4 wire 10-30V Changeover NPN (N.O. & N.C.) |
| DC 2 wire 10-60V N.O. * |
| DC 2 wire 10-60V N.C. * |
| DC 3 wire 10-55V NPN N.O. |
| DC 3 wire 10-55V NPN N.C. |
| DC 3 wire 10-55V PNP N.O. |
| DC 3 wire 10-55V PNP N.C. |
| DC 3 wire 5-36V NPN N.O. |
| DC 3 wire 5-36V NPN N.C. |
| DC 3 wire 5-36V PNP N.O. |
| DC 3 wire 5-36V PNP N.C. |
| DC 4 wire 5-36V Changeover PNP (N.O. & N.C.) |
| DC 4 wire 5-36V Changeover NPN (N.O. & N.C.) |

| | |
|----------------|----|
| P1S2P4030NOZA4 | 43 |
| P1S2P4030NCZA4 | 44 |
| P1S2P4030POZA4 | 45 |
| P1S2P4030PCZA4 | 46 |
| P1S2P4030PSZA4 | 48 |
| P1S2P4030NSZA4 | 47 |
| P4S2P4030COZA4 | 49 |
| P4S2P4030CCZA4 | 50 |
| P3S2P4030NOZA4 | 43 |
| P3S2P4030NCZA4 | 44 |
| P3S2P4030POZA4 | 45 |
| P3S2P4030PCZA4 | 46 |

Dimensions (unit: mm)

* : DC 2wire 10-60V specifications see page 3-05. Other is same.



| |
|----------------|
| Cable 2M (PVC) |
| Weight |

| |
|--------------|
| Approx.295 g |
|--------------|